

# SOFT CLOSE SLIDE

LOAD CAPACITY  
20-45 kg

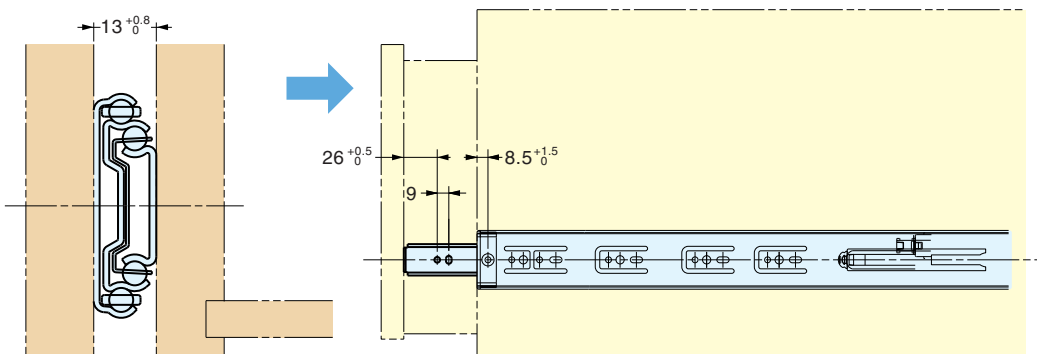
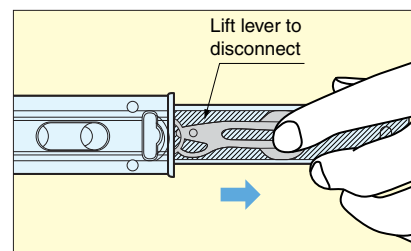
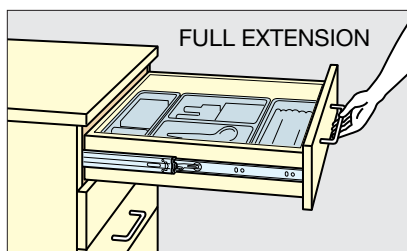
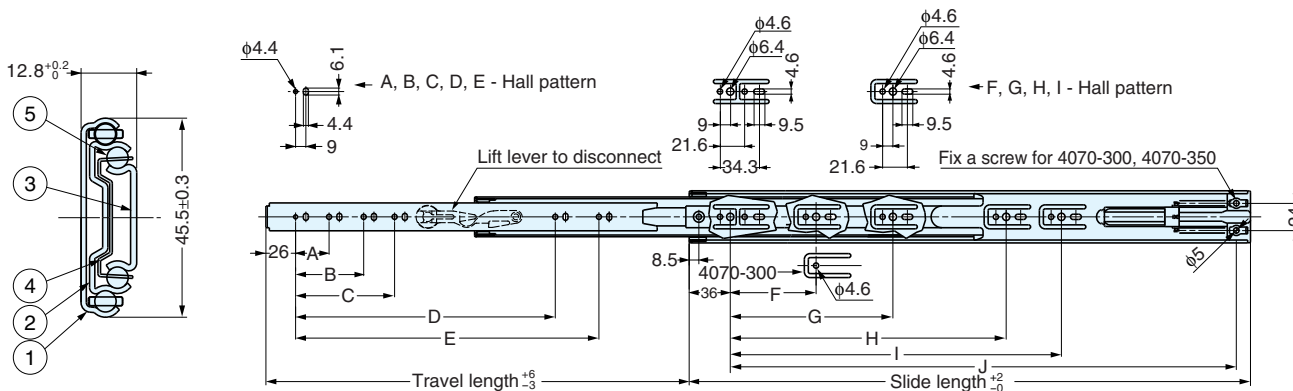
4x12  
STEEL

4070

- Smooth and elegant soft-close mechanism
- Simple installation - damper and slide combined
- Front disconnect - easily remove drawer



PAT.P



No.	Part Name	Material
①	Outer Rail	Steel
②	Intermediate Member	
③	Inner Rail	
④	Retainer	
⑤	Balls	-

Item no.	Slide Length	Travel Length	A	B	C	D	E	F	G	H	I	J	Load Capacity (kg/pair)	Weight (g)	Box (pair)
4070-300	300	238	-	-	-	-	156	119	-	-	-	252.5	20	740	10
4070-350	350	305	-	-	-	-	200	128	-	-	-	302.5	25	900	10
4070-400	400	378	96	-	-	-	256	128	208	-	-	352.5	35	1030	10
4070-450	450	430	128	-	-	-	294	128	256	-	-	402.5	40	1180	10
4070-500	500	482	96	160	-	-	344	128	304	-	-	452.5	45	1320	10
4070-550	550	533	96	160	352	-	394	128	224	352	-	502.5	40	1480	10
4070-600	600	584	128	192	384	-	444	128	224	352	-	552.5	35	1630	10
4070-650	650	635	128	224	416	-	494	128	224	352	448	602.5	35	1770	10
4070-700	700	685	128	224	416	480	544	128	224	352	496	652.5	35	1920	10