

# FULL EXTENSION SLIDE

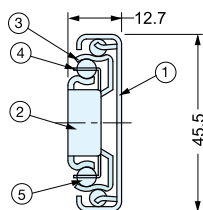
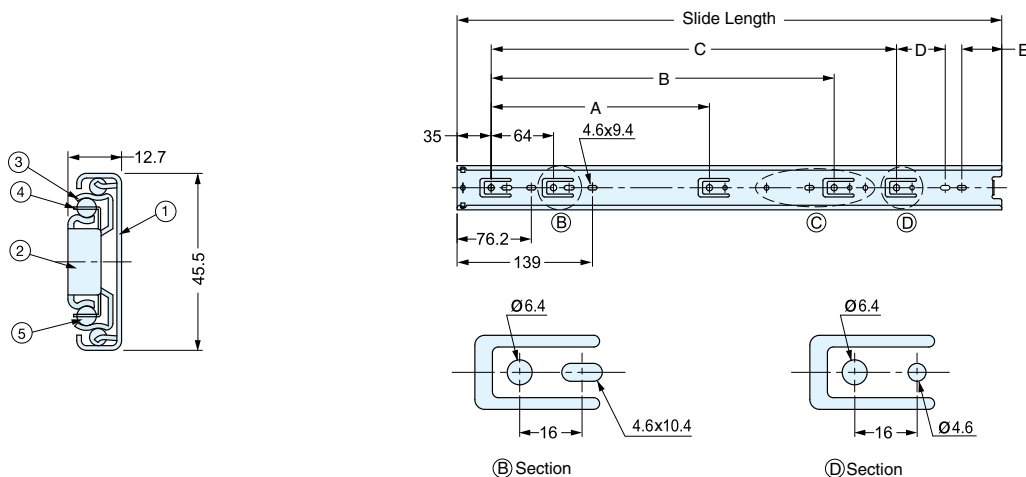
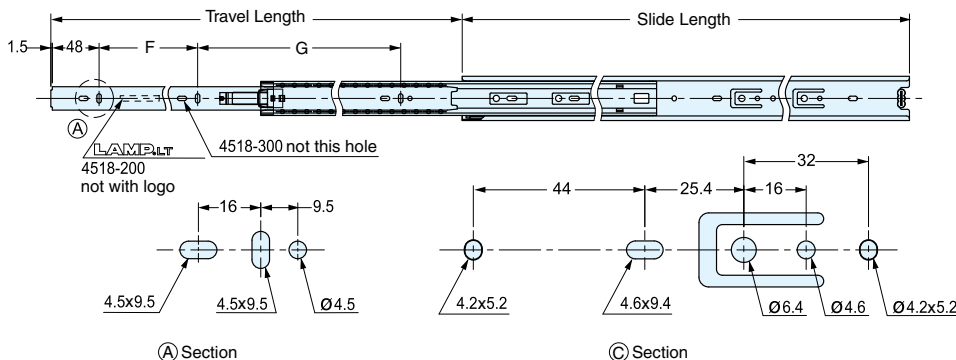
**LOAD CAPACITY**  
20-45 kg  
44-99 lbs



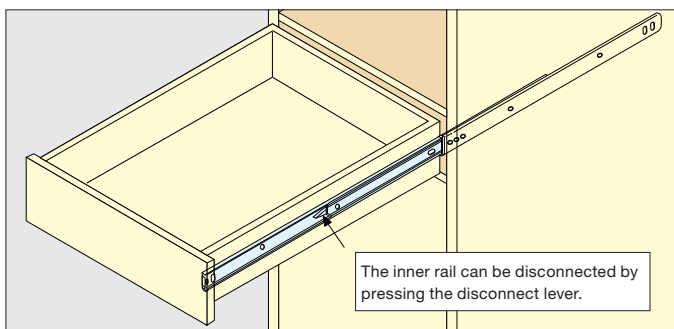
**4518**

DRAWER SLIDES

STEEL SLIDES



- Full Extension
- Front Disconnect
- Positive stop
- Non-handed
- Sold in pairs



Installation

No.	Part Name	Material
①	Outer Rail	Steel
②	Inner Rail	
③	Intermediate Member	
④	Retainer	
⑤	Balls	

Item No.	Slide Length	Travel Length	A	B	C	D	E	F	G	Load capacity (kg/pair)
4518-200	200	200	128	-	-	-	-	128	-	20
4518-250	250	250	148	-	-	-	-	172	-	30
4518-300	300	300	224	-	-	-	-	64	160	35
4518-350	350	350	224	-	-	-	41	96	160	35
4518-400	400	400	224	-	288	50	-	128	160	40
4518-450	450	450	224	352	-	-	-	128	224	45
4518-500	500	500	224	352	416	-	-	160	256	40
4518-550	550	550	224	352	416	50	-	192	256	40
4518-600	600	600	224	352	480	50	-	224	288	35
4518-650	650	650	224	352	544	50	-	256	288	35
4518-700	700	700	224	352	544	50	-	256	320	30