

# FULL EXTENSION SLIDE

**LOAD CAPACITY**  
29-45 kg  
64-98 lbs

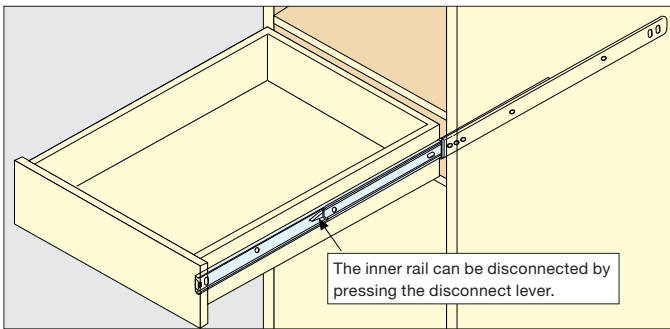
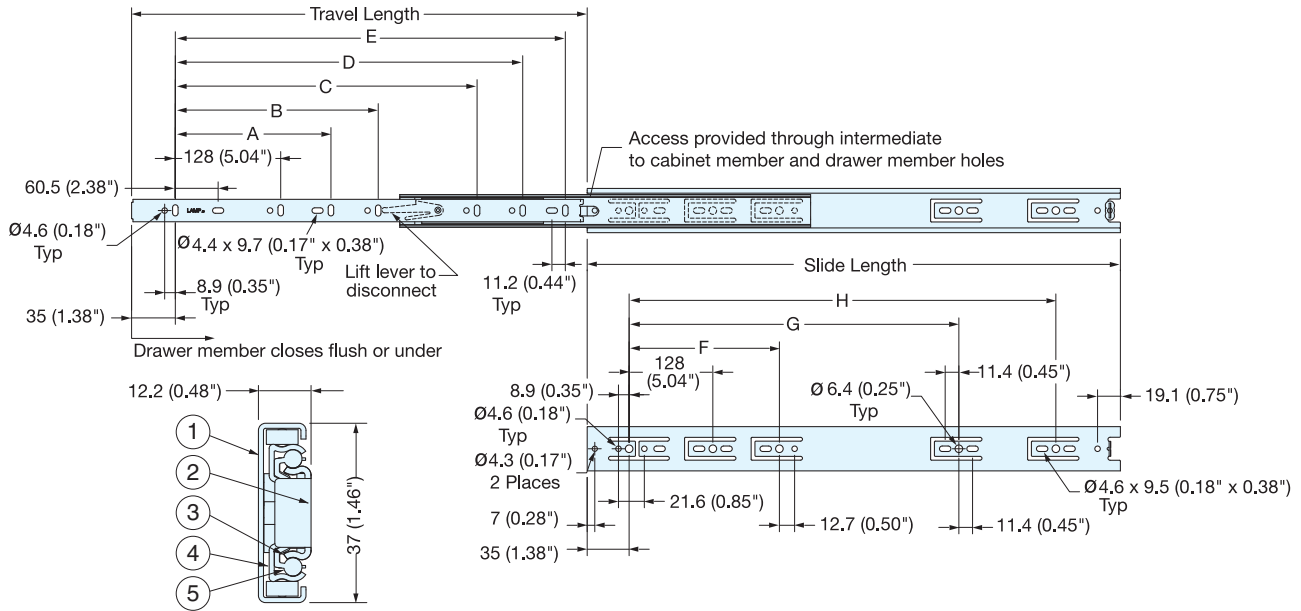
**NO SCREW**

**STAINLESS 304 STEEL**

## ESR-3813

DRAWER SLIDES

STAINLESS STEEL SLIDES



Installation

- Full extension
- Front disconnect
- Positive stop
- Non-handed
- Hold-in detent
- Sold in pairs
- Mount with M4 or #8 Binding, Pan, or Truss head screws

25.4mm=1"

No.	Part	Material
①	Outer Rail	304 Stainless Steel
②	Inner Rail	
③	Retainer	
④	Intermediate Member	
⑤	Balls	

Item No.	Slide Length	Travel Length	A	B	C	D	E	F	G	H	Load Capacity (kg/pair)	Weight (g)	Box (Pair)
ESR-3813-8	200 ( 7-7/8" )	200 ( 7-7/8" )	-	-	-	-	142	-	-	-	45 (98 lbs)	400 ( 0.88 lbs )	10
ESR-3813-10	250 ( 9-27/32" )	243 ( 9-9/16" )	-	-	-	-	192	-	-	-	42 (92 lbs)	530 ( 1.19 lbs )	
ESR-3813-12	300 ( 11-13/16" )	305 ( 12" )	-	-	-	-	242	224	-	-	40 (88 lbs)	637 ( 1.40 lbs )	
ESR-3813-14	350 ( 13-25/32" )	355 ( 14" )	-	-	-	-	292	224	-	-	38 (84 lbs)	726 ( 1.60 lbs )	
ESR-3813-16	400 ( 15-3/4" )	406 ( 16" )	-	-	-	-	342	224	320	-	36 (79 lbs)	816 ( 1.80 lbs )	
ESR-3813-18	450 ( 17-23/32" )	457 ( 18" )	-	-	320	-	392	224	352	-	34 (75 lbs)	910 ( 2.00 lbs )	
ESR-3813-20	500 ( 19-11/16" )	508 ( 20" )	-	-	320	-	442	224	416	-	33 (73 lbs)	1000 ( 2.20 lbs )	
ESR-3813-22	550 ( 21-21/32" )	559 ( 22" )	-	-	320	416	492	224	352	448	31 (68 lbs)	1090 ( 2.40 lbs )	
ESR-3813-24	600 ( 23-5/8" )	610 ( 24" )	224	-	416	-	542	224	352	480	29 (64 lbs)	1180 ( 2.60 lbs )	