

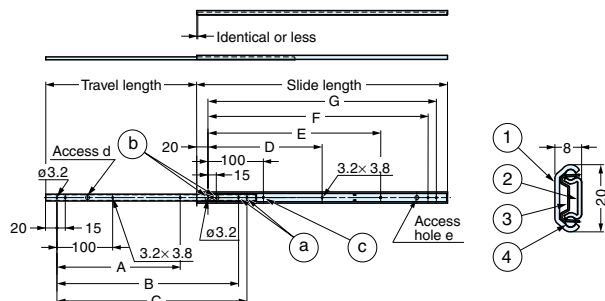
3/4 EXTENSION SLIDE

LOAD CAPACITY
11-16 kg

NO SCREW

STAINLESS
304
STEEL

ESR-2021



Features:

- Entire stainless steel product of superior corrosion resistance.

Notes:

Withstanding load shown in the table below is the static load at the rail center while screws are fit to all the mounting holes other than "a" and the extension slide rail is extended. Screw recommended. M3 bind or truss screw.

Others:

- When mounting "b" move the inner slide rail back, and use access hole "d".
- When mounting "c" in the case of slide rail of 450 mm or more, move the inner slide rail back, and use access hole "d".
- When mounting "a" no mounting hole is required for normal mounting.

No.	Part Name	Material
①	Outer rail	Stainless steel (SUS304)
②	Inner rail	Stainless steel (SUS304)
③	Retainer	Stainless steel (SUS304)
④	Ball	Stainless steel (SUS304)

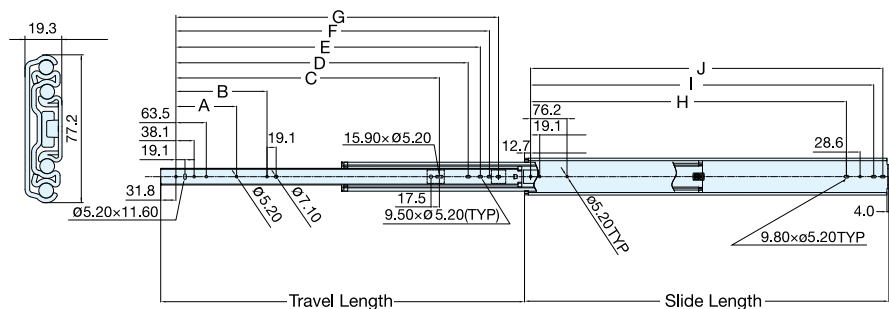
Item No.	Slide Length	Travel Length	A	B	C	D	E	F	G	Load Capacity (kg/pair)	Weight (g)	Box (pcs)
ESR2021-200	200	134	-	145	160	-	-	145	160	13	200	200
ESR2021-250	250	184	150	195	210	-	-	195	210	15	250	100
ESR2021-300	300	224	190	245	260	-	160	245	260	16	300	100
ESR2021-350	350	244	225	295	310	-	210	295	310	16	350	100
ESR2021-400	400	294	265	345	360	-	260	345	360	15	400	100
ESR2021-450	450	334	300	395	410	205	310	395	410	13	450	100
ESR2021-500	500	384	337	445	460	230	360	445	460	11	500	100

FULL EXTENSION SLIDE

LOAD CAPACITY
163-182 kg

NO SCREW

ZS-7601



- Full extension.
- Positive stop.
- Non-handed.
- Heavy duty.
- Sold in pairs.

* Mount with #10-32 Flat head screws.
* Longer length available up to 60" in increments of 2" (Special Order).

25.4mm=1"

Material	Finish
Steel	Clear Zinc Chromate

Item No.	Slide Length	Travel Length	A	B	C	D	E	F	G	H	I	J	Load Capacity (kg/pair)	Weight (g)	Box (pair)
ZS-7601-10	254.0	254.0	-	-	-	103.2	128.6	147.6	166.6	152.4	209.6	228.6	182	1300	4
ZS-7601-12	304.8	304.8	-	-	-	154.0	179.4	198.4	217.4	203.2	260.4	279.4	182	1560	4
ZS-7601-14	355.6	355.6	-	-	-	204.8	230.2	249.2	268.2	254.0	311.2	330.2	182	1820	4
ZS-7601-16	406.4	406.4	127.0	-	-	255.6	281.0	299.9	319.0	304.8	361.9	381.0	182	2080	4
ZS-7601-18	457.2	457.2	127.0	-	246.1	306.4	331.8	350.8	369.8	355.6	412.8	431.8	182	2340	4
ZS-7601-20	508.0	508.0	127.0	190.5	296.9	357.2	382.6	401.6	420.6	406.4	463.6	482.6	182	2600	4
ZS-7601-22	558.8	558.8	127.0	190.5	347.7	408.0	433.4	452.4	471.4	457.2	514.4	533.4	177	2860	4
ZS-7601-24	609.6	609.6	127.0	190.5	398.5	458.8	484.2	503.2	522.2	508.0	565.2	584.2	173	3120	4
ZS-7601-26	660.4	660.4	127.0	190.5	449.3	509.6	535.0	553.9	573.0	558.8	615.9	635.0	168	3380	2
ZS-7601-28	711.2	711.2	127.0	190.5	500.1	560.4	585.8	604.8	623.8	609.6	666.8	685.8	163	3640	2