

FULL EXTENSION SLIDE

LOAD CAPACITY  
13-17 kg

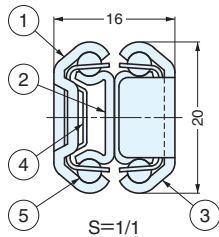
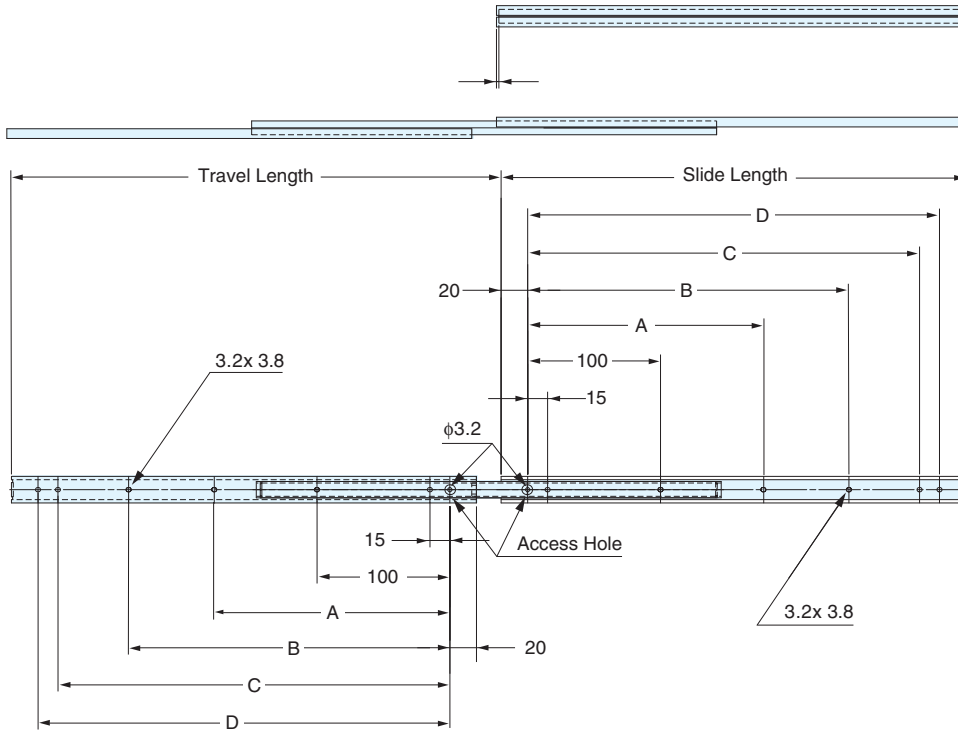
NO SCREW

STAINLESS  
304  
STEEL

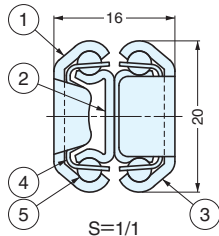
ESR-2031

DRAWER SLIDES

STAINLESS STEEL SLIDES



※ Depending on production lot, aspects of the end stop might be slightly different as shown on the drawings.



- Full extension
- Positive stop
- Non handed

| No. | Part                | Material            |
|-----|---------------------|---------------------|
| ①   | Outer Rail          | 304 Stainless Steel |
| ②   | Intermediate Member |                     |
| ③   | Inner Rail          |                     |
| ④   | Retainer            |                     |
| ⑤   | Balls               |                     |

| Item No.     | Slide Length | Travel Length | A   | B   | C   | D   | Load Capacity (kgf/pair) | Weight (g) | Box (pcs) |
|--------------|--------------|---------------|-----|-----|-----|-----|--------------------------|------------|-----------|
| ESR-2031-200 | 200          | 229           | -   | -   | 145 | 160 | 17                       | 400/pair   | 96        |
| ESR-2031-250 | 250          | 269           | -   | -   | 195 | 210 | 17                       | 500/pair   | 48        |
| ESR-2031-300 | 300          | 329           | -   | 160 | 245 | 260 | 17                       | 600/pair   | 48        |
| ESR-2031-350 | 350          | 369           | -   | 210 | 295 | 310 | 17                       | 700/pair   | 48        |
| ESR-2031-400 | 400          | 429           | -   | 260 | 345 | 360 | 17                       | 800/pair   | 48        |
| ESR-2031-450 | 450          | 469           | 205 | 310 | 395 | 410 | 16                       | 900/pair   | 48        |
| ESR-2031-500 | 500          | 529           | 230 | 360 | 445 | 460 | 13                       | 1,000/pair | 48        |