

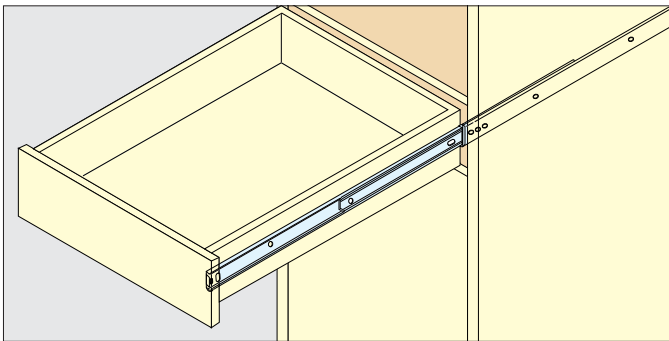
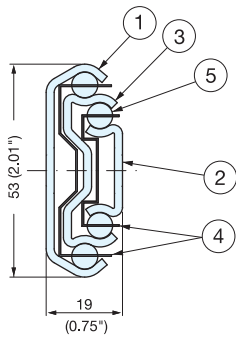
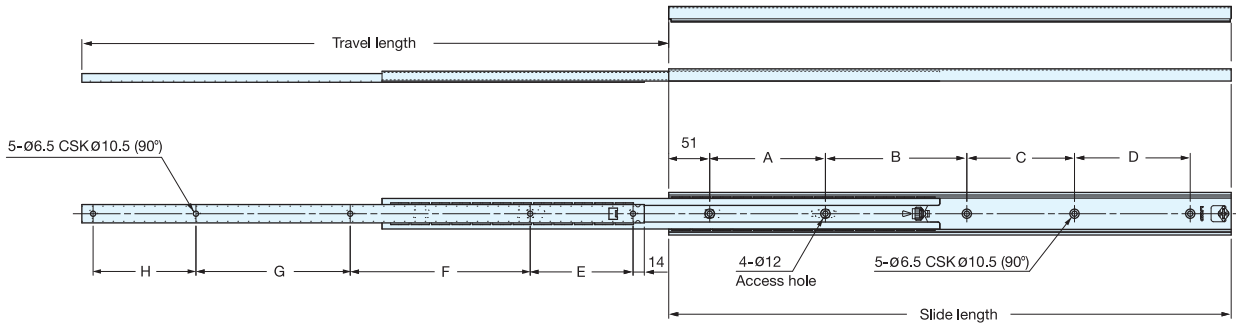
FULL EXTENSION SLIDE

LOAD CAPACITY
64-130 kg
140-285 lbs

NO SCREW

STAINLESS 304 STEEL

5302



Installation

- Full extension
- Positive stop
- Non-handed
- Hold-in detent
- Mount with M6 Flat head screws

25.4mm=1"

No.	Part	Material
①	Outer Rail	304 Stainless Steel
②	Inner Rail	
③	Intermediate Member	
④	Retainer	
⑤	Balls	Stainless Steel

Item No.	Slide Length	Travel Length	A	B	C	D	E	F	G	H	Load Capacity (kg/pair)	Weight (g)	Box (pcs)
5302-300	300 (11-13/16")	337 (13-1/4")	112	80	-	-	128	128	-	-	130 (285 lbs)	858	20
5302-350	350 (13-3/4")	386 (15-3/16")	144	96	-	-	160	160	-	-	119 (260 lbs)	1007	
5302-400	400 (15-3/4")	435 (17-1/8")	144	80	80	-	96	96	160	-	108 (236 lbs)	1157	16
5302-450	450 (17-11/16")	484 (19-1/16")	80	192	80	-	128	160	128	-	98 (215 lbs)	1302	
5302-500	500 (19-11/16")	534 (21")	112	160	112	-	160	160	128	-	92 (201 lbs)	1430	10
5302-550	550 (21-11/16")	583 (22-61/64")	112	176	160	-	192	128	192	-	86 (188 lbs)	1609	
5302-600	600 (23-5/8")	632 (24-7/8")	112	224	160	-	208	128	208	-	81 (177 lbs)	1755	8
5302-650	650 (25-5/8")	681 (26-13/16")	112	160	144	128	128	192	160	128	76 (166 lbs)	1914	
5302-700	700 (27-9/16")	730 (28-3/4")	144	160	144	144	128	208	208	128	71 (155 lbs)	2061	
5302-750	750 (29-1/2")	780 (30-1/16")	176	160	160	152	192	160	178	192	68 (149 lbs)	2193	
5302-800	800 (31-1/12")	829 (32-5/8")	192	192	192	112	224	160	164	224	64 (140 lbs)	2341	