

3/4 EXTENSION SLIDE

LOAD CAPACITY
25-49 kg
55-107 lbs

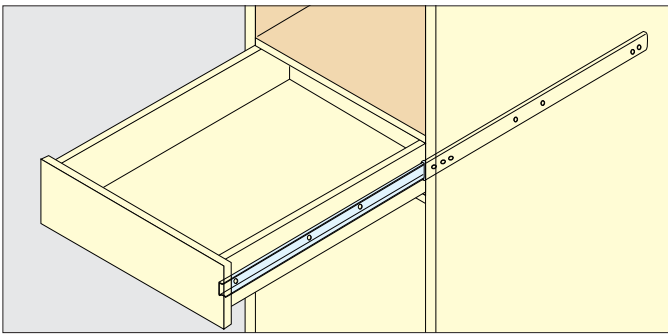
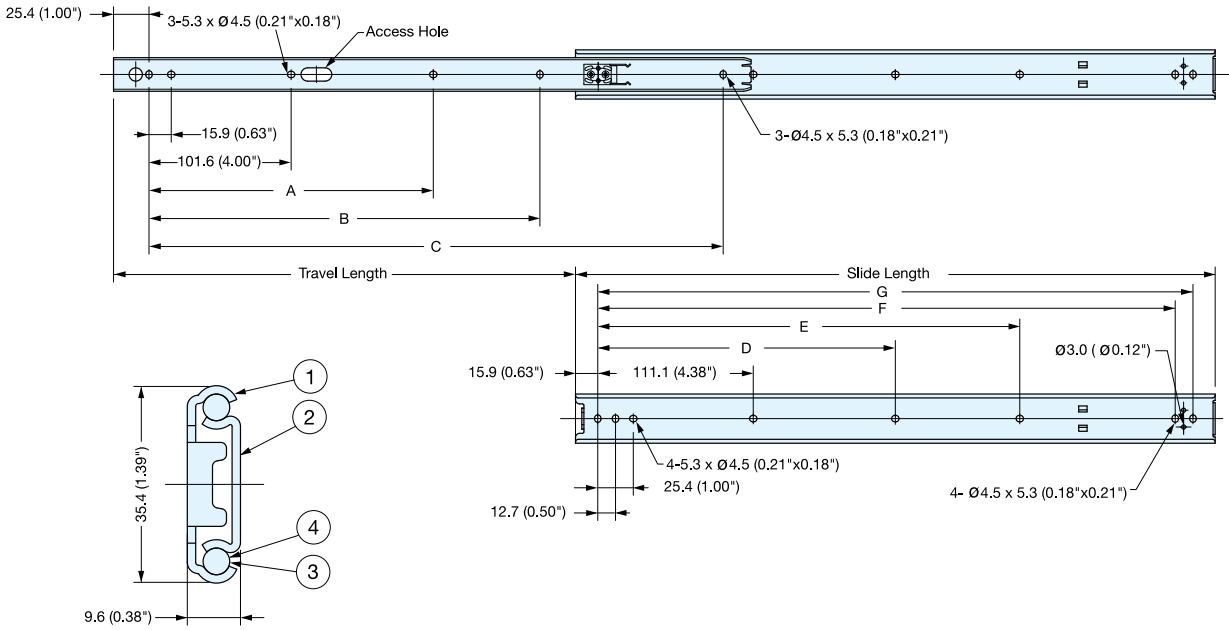
NO SCREW

STAINLESS 304 STEEL

ESR-13

DRAWER SLIDES

STAINLESS STEEL SLIDES



Installation

- 3/4 extension
- Positive stop
- Positive catch
- Non-handed
- Mount with M4 or #8 Binding, Pan, or Truss head screws

25.4mm=1"

No.	Part	Material
①	Outer Rail	304 Stainless Steel
②	Inner Rail	
③	Retainer	
④	Balls	

Item No.	Slide Length	Travel Length	A	B	C	D	E	F	G	# of Holes		Load Capacity (kg/pair)	Weight (g)	Box (pcs)
										Inner Rail	Outer Rail			
ESR-13-12	304.8 (12")	228.6 (9")	-	177.8	258	-	149.2	260.3	273	4	7	49 (107 lbs)	310	30
ESR-13-14	355.6 (14")	279.4 (11")	-	228.6	308.8	-	200	311.1	323.8	4	7	47 (103 lbs)	360	
ESR-13-16	406.4 (16")	304.8 (12")	-	254	359.6	-	250.8	361.9	374.6	4	7	43 (94 lbs)	410	
ESR-13-18	457.2 (18")	330.2 (13")	203.2	279.4	410.4	212.7	301.6	412.7	425.4	5	8	41 (90 lbs)	460	
ESR-13-20	508 (20")	381 (15")	228.6	330.2	461.2	238.1	352.4	463.5	476.2	5	8	37 (81 lbs)	520	
ESR-13-22	558.8 (22")	406.4 (16")	254	355.6	512	263.5	403.2	514.3	527	5	8	34 (74 lbs)	570	
ESR-13-24	609.6 (24")	431.8 (17")	254	381	562.8	288.9	454	565.1	577.8	5	8	30 (66 lbs)	620	
ESR-13-26	660.4 (26")	482.6 (19")	254	431.8	613.6	314.3	504.8	615.9	628.6	5	8	27 (59 lbs)	650	
ESR-13-28	711.2 (28")	508 (20")	279.4	457.2	664.4	339.7	555.6	666.7	679.4	5	8	25 (55 lbs)	700	