

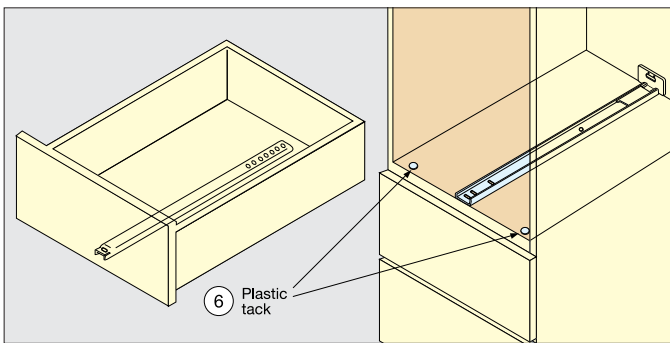
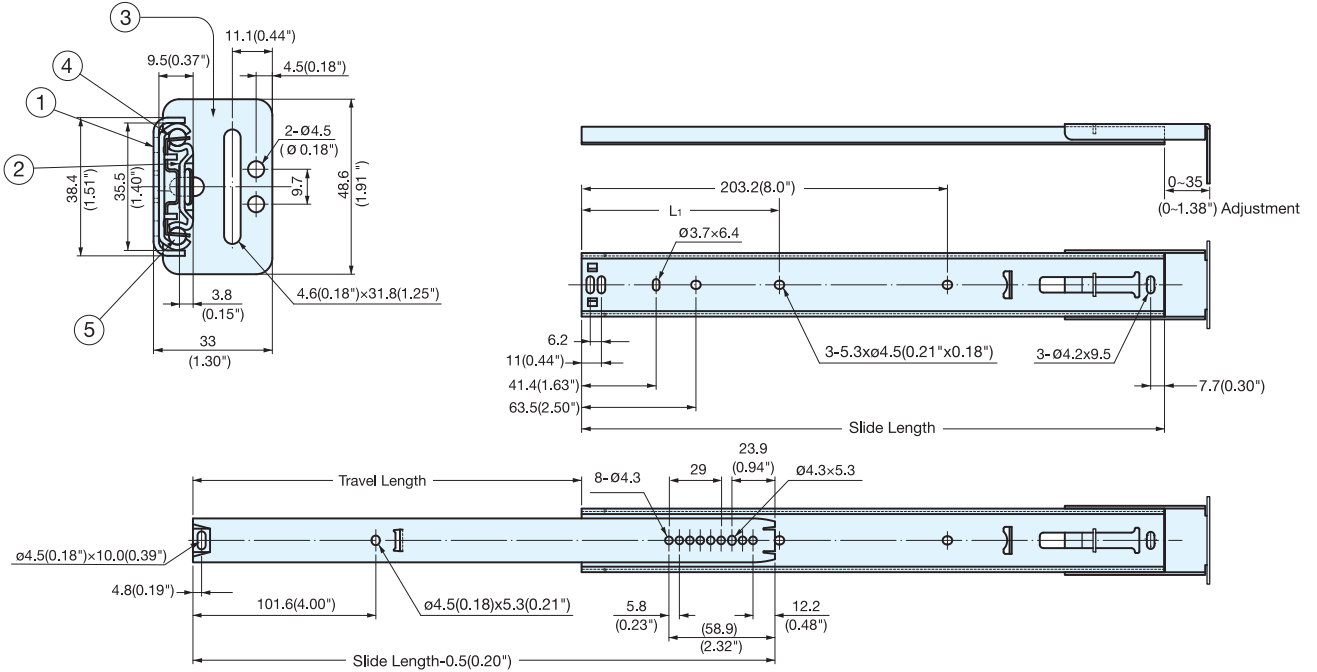
# 3/4 EXTENSION SLIDE

**LOAD CAPACITY**  
5-8 kg  
11-18 lbs

**NO SCREW**

**STAINLESS 304 STEEL**

# ESR-2



Installation

- Under carriage mounting with bracket
- 3/4 extension
- Front disconnect
- Friction brake stop
- Mount with M4 or #8 Binding, Pan, or Truss head screws.
- Two plastic tacks supplied per slide

25.4mm=1"

No.	Part	Material
①	Outer Rail	304 Stainless Steel
②	Inner Rail	
③	Bracket	
④	Retainer	
⑤	Balls	Polyamide
⑥	Plastic Tack	

Item No.	Slide Length	Travel Length	L <sub>1</sub>	# of Holes		Load Capacity (kg/pc)	Weight (g)	Box (pcs)
				Inner Rail	Outer Rail			
ESR-2-12	323.8 ( 12-3/4" )	215.9 ( 8-1/2" )	109.9	11	7	8 ( 18 lbs )	340	20
ESR-2-14	374.6 ( 14-3/4" )	266.7 ( 10-1/2" )	160.7		7	7.5 ( 17 lbs )	400	
ESR-2-16	425.4 ( 16-3/4" )	304.8 ( 12" )	-		6	7 ( 15 lbs )	450	
ESR-2-18	476.2 ( 18-3/4" )	317.5 ( 12-1/2" )	262.3		7	7 ( 15 lbs )	490	
ESR-2-20	527 ( 20-3/4" )	368.3 ( 14-1/2" )	313.1		7	6.5 ( 14 lbs )	530	
ESR-2-22	577.8 ( 22-3/4" )	419.1 ( 16-1/2" )	363.9		7	6 ( 13 lbs )	630	
ESR-2-24	628.6 ( 24-3/4" )	444.5 ( 17-1/2" )	414.7		7	5.5 ( 12 lbs )	690	
ESR-2-26	679.4 ( 26-3/4" )	495.3 ( 19-1/2" )	465.5		7	5 ( 11 lbs )	720	