

GLASS DOOR CAM LOCK

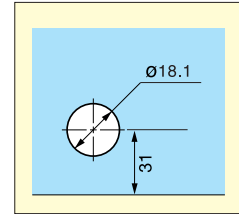
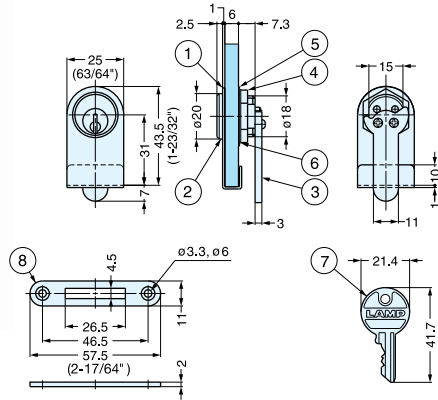
1100GL

GLASS HARDWARE

GLASS DOOR LOCKS

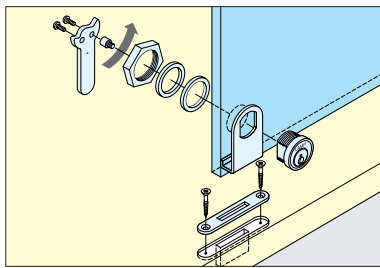


1100GL / CR



Cut Out Dimensions

- Chrome or polished brass cylinder glass door lock with 2 keys.
- Key is removable in locked position only. (Key works as a knob in unlocked position)
- 25 key changes.
- Master key NOT available.



Installation

1100GL/CR

No.	Part Name	Material	Finish
①	Front Plate	304 Stainless Steel	Polished
②	Body	Brass	Chrome
③	Cam	Steel	Nickel
④	Hex Nut	Brass	
⑤	Plastic Washer	Polyamide	Natural
⑥	Washer	Steel	Chrome
⑦	Key	Brass	Nickel
⑧	Counterplate	Steel	Chromate

1100GL/PB

No.	Part Name	Material	Finish
①	Front Plate	Brass	Clear Coated
②	Body		
③	Cam	Steel	Brass
④	Hex Nut	Brass	Plain
⑤	Plastic Washer	Polyamide	Natural
⑥	Washer	Steel	Chrome
⑦	Key	Brass	Clear Coated
⑧	Counterplate	Steel	Brass

Item No.	Glass Thickness	Cylinder Diameter	Key Changes	Keys Included	Weight (g)	Box (pcs)	Carton (pcs)
1100GL/CR	4~6	18 (45/64")	25	2	65	25	250
1100GL/PB	4~6	18 (45/64")	25	2	65	25	250

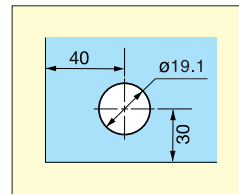
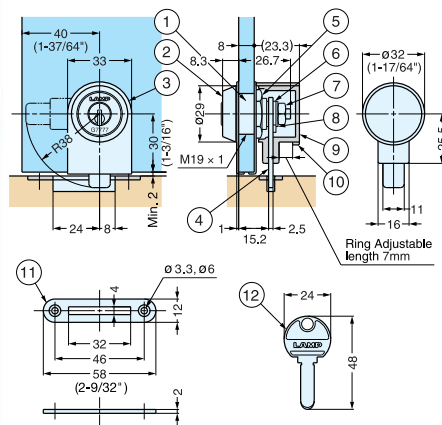
GLASS DOOR LOCK



1300GL

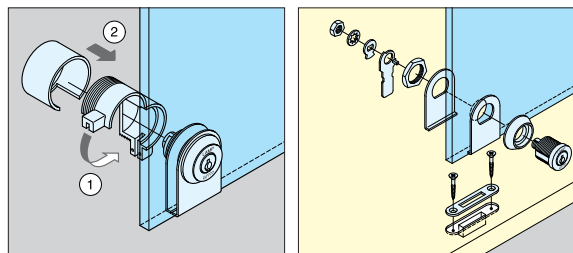


PAT



Cut Out Dimensions

- Dimple key lock series ideal for showcase application.
- High security reversible key. (3 keys supplied)
- 1 million key changes available.
- Master key system available at surcharge. (Max. 2,520 key changes per master key.)



Installation

No.	Part Name	Material	Finish
①	Body	Brass	Satin Nickel
②	Ring		
③	Front Plate	304 Stainless Steel	Polished
④	Cam		
⑤	Hex Nut	Steel	Silver
⑥	Washer	Brass	Nickel
⑦	Hex Nut	Steel	Silver
⑧	Washer		
⑨	Case Cover	Polypropylene	Black
⑩	Ring		
⑪	Counterplate	303 Stainless Steel	Polished
⑫	Key	Brass	Nickel

Item No.	Glass Thickness	Weight (g)	Box (pcs)	Carton (pcs)
1300GL	5-8	140	12	60