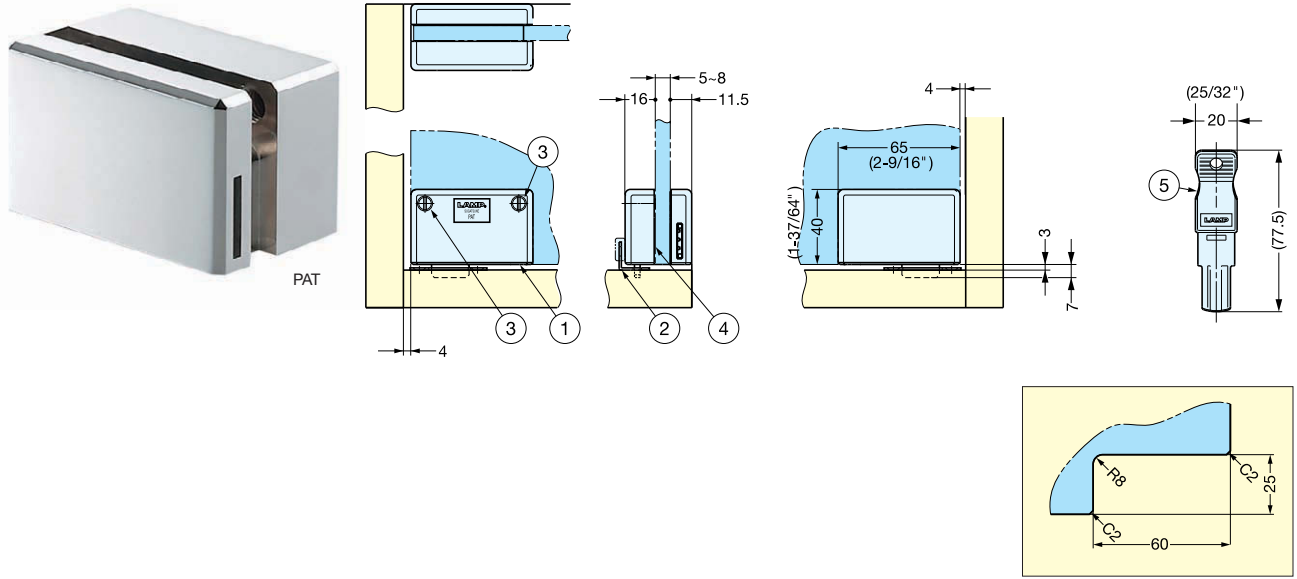


# GLASS LOCK (FOR SWING DOORS)

# XL-GC02

- Glass lock for inset door.
- Key hole located on the side for smart design.



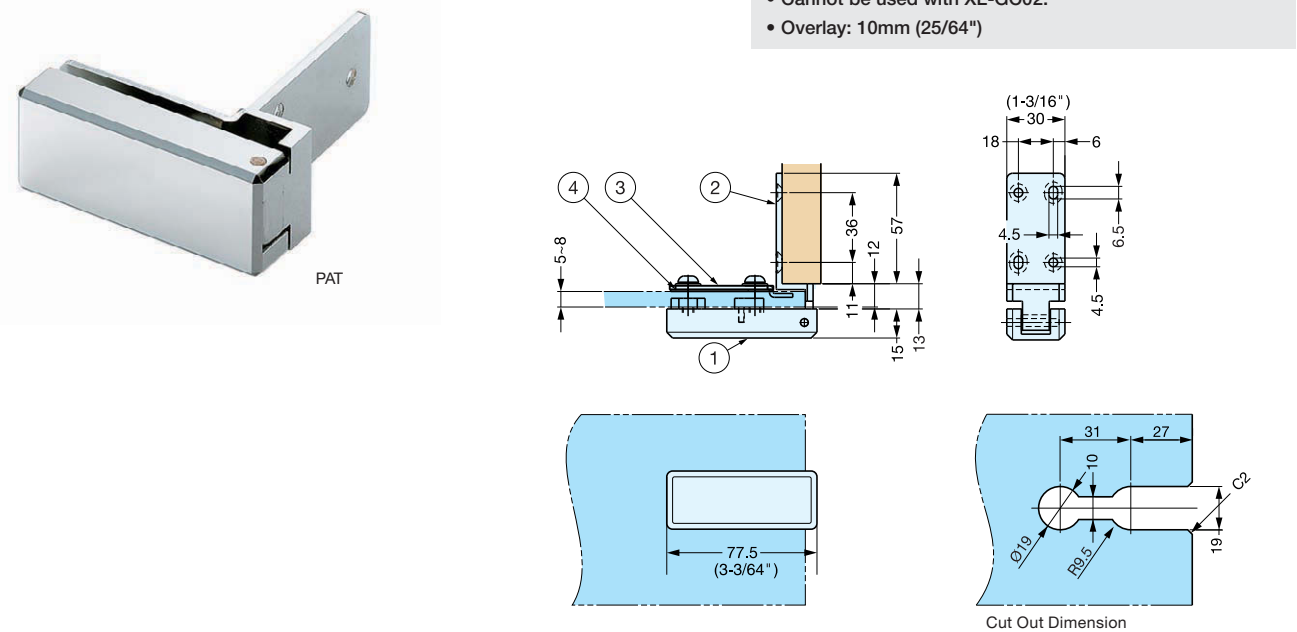
Item No.	Type	Glass Thickness (mm)	Key Changes	Key (pcs)	Weight (g)	Box (pcs)	Carton (pcs)
XL-GC02-R-C	Right	5-8	24	2	415	1	24
XL-GC02-L-C	Left						

No.	Part Name	Material	Finish / Color
①	Body	Zinc Alloy	Chrome
②	Counterplate	304 Stainless Steel	Polished
③	Screws		Plain
④	Spacer	Synthetic Rubber	Black
⑤	Key	Brass	Nickel

# GLASS HINGE (OVERLAY, W/CATCH)

# XL-GC07

- Overlay hinge with catch for glass cabinet.
- Door Size: Max.W500xH1200
- Cannot be used with XL-GC02.
- Overlay: 10mm (25/64")



Item No.	Glass Thickness (mm)	Load Capacity (kg)	Weight (g)	Box (pcs)	Carton (pcs)
XL-GC07-C	5-8	12 (26.5lbs) / Door	301	1	24

No.	Part Name	Material	Finish / Color
①	Body	Zinc Alloy	Chrome
②	Hinge Plate		
③	Backplate	Steel	Chrome
④	Spacer	Synthetic Rubber	Black