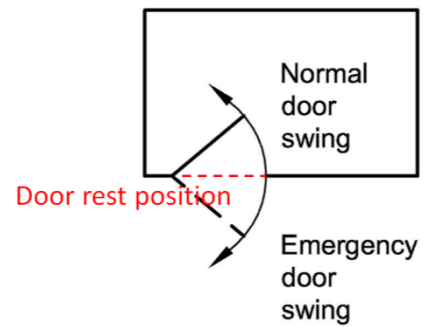
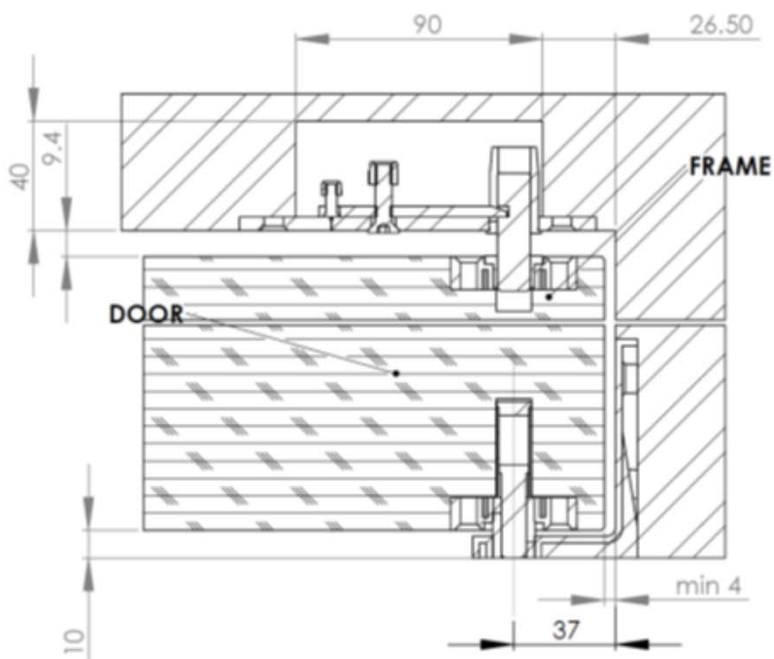


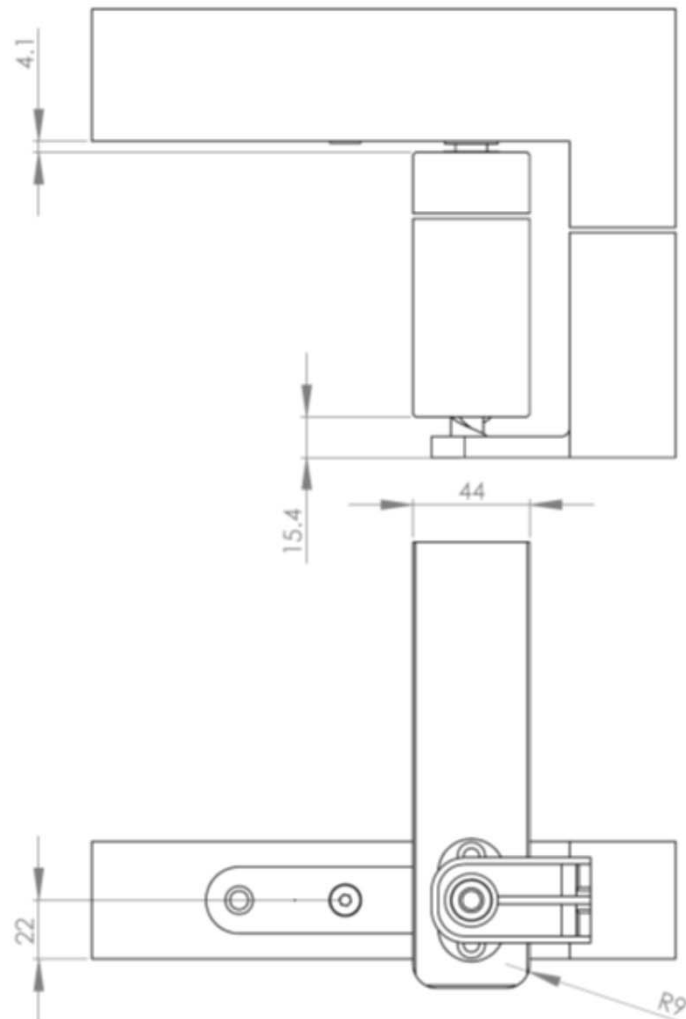
Royde & Tucker H131-490 Self centring pivot set



CLOSED VIEW



OPEN VIEW



- Grade 304 stainless steel
- Allows the door to swing in either direction and comes to rest in the closed position
- Medium duty for internal doors weighing up to 50kg when floor mounted and up to 900mm wide when jamb mounted
- Set includes door bottom pivot, top centre, door brackets
- Required door/frame head gap to allow door to rise and fall

Royde & Tucker Ltd
Bilton Road
Cadwell lane
Hitchin
SG4 0SB
Tel:01462 444444
Fax:01462 444433
www.ratman.co.uk
e-mail: sales@ratman.co.uk