

STAINLESS STEEL RECESSED PULL

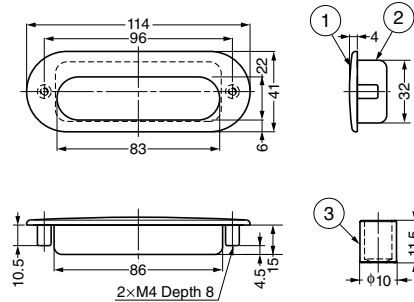


HH-DS114



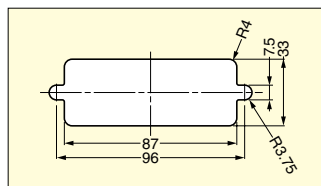
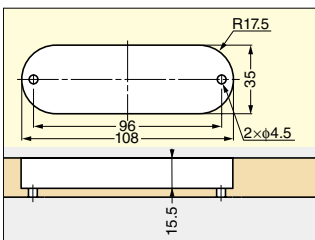
Parts Included

- For wood panel t = 20: truss head tapping screw M4×15 (SUS)
- For sheet metal t = 2: truss head tapping screw M4×8 (SUS)



Cut Out Dimensions (For wood door)

Cut Out Dimensions (For metal door)



No.	Part Name	Material	Finish
①	Body	Stainless Steel (SCS14)	Mirror/Satin
②	Cup	Stainless Steel (SUS304)	Satin
③	Spacer	Stainless Steel (SUS304)	-

*SCS14 is equivalent of SUS316.

Item Code	Item Name	Finish	Weight	Box	Carton
100-010-585	HH-DS 114M	Mirror	105 g	10 pcs	60 pcs
100-010-586	HH-DS 114S	Satin	105 g	10 pcs	60 pcs

STAINLESS STEEL RECESSED PULL

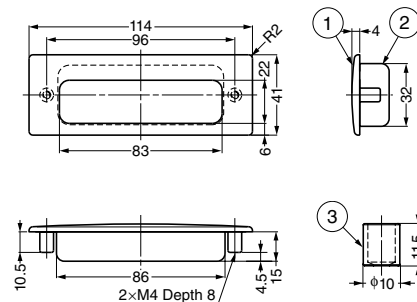


HH-KS114



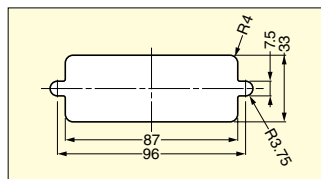
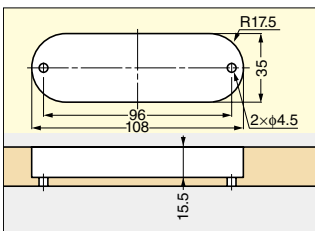
Parts Included

- For wood panel t = 20: truss head tapping screw M4×15 (SUS)
- For sheet metal t = 2: truss head tapping screw M4×8 (SUS)



Cut Out Dimensions (For wood door)

Cut Out Dimensions (For metal door)



No.	Part Name	Material	Finish
①	Body	Stainless Steel (SCS14)	Mirror/Satin
②	Cup	Stainless Steel (SUS304)	Satin
③	Spacer	Stainless Steel (SUS304)	-

Item Code	Item Name	Finish	Weight	Box	Carton
100-010-583	HH-KS 114M	Mirror	110 g	10 pcs	60 pcs
100-010-584	HH-KS 114S	Satin	110 g	10 pcs	60 pcs