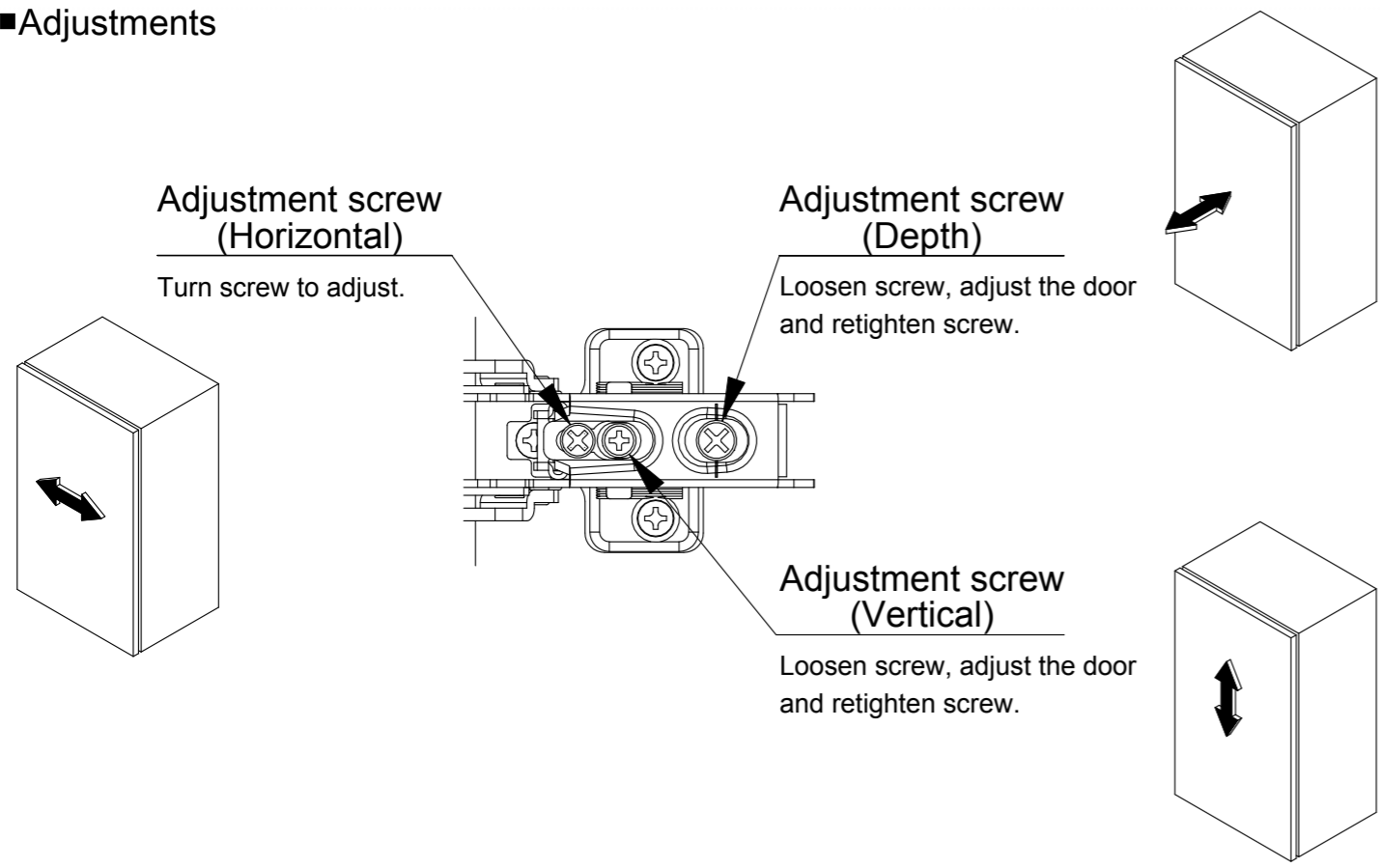


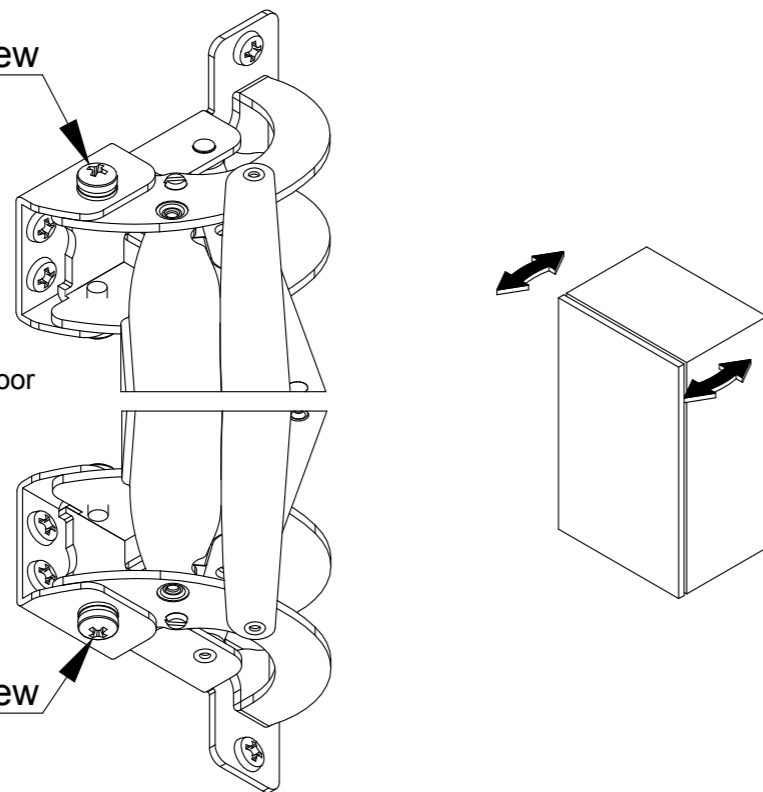
■ Adjustments



**Leveling Adjustment Screw Front**

Loosen both screws, adjust the door and retighten screws.

**Leveling Adjustment Screw Back**



**SUGATSUNE KOGYO CO.,LTD.**  
Phone: +81 (0)3 3866 2260  
Fax: +81 (0)3 3866 4447  
E-mail: export@sugatsune.co.jp  
Website: www.sugatsune-intl.com

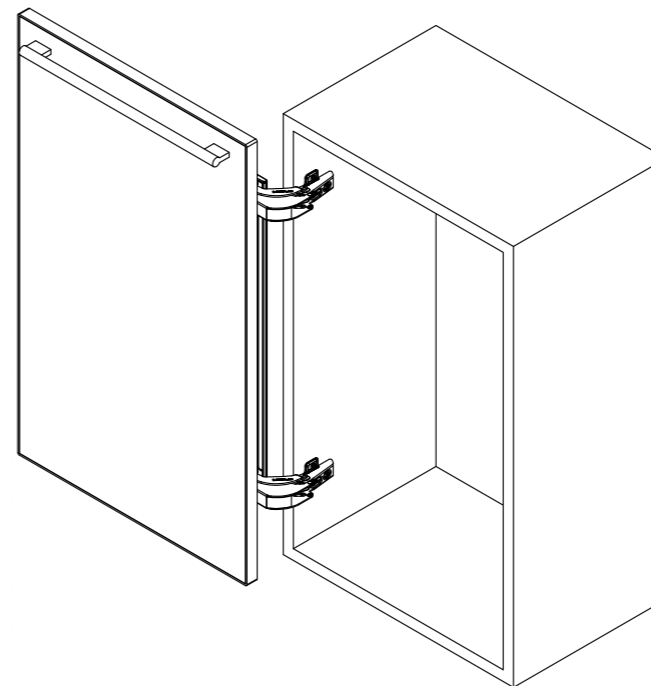
**SUGATSUNE KOGYO (UK) LTD.**  
Phone: +44 (0)1491 680737  
Fax: +44 (0)1491 60762  
E-mail: sales@sugatsune.co.uk  
Website: www.sugatsune.co.uk

**SUGATSUNE AMERICA, INC.**  
Phone: +1 310 3296373  
Fax: +1 310 3290819  
E-mail: sales@sugatsune.com  
Website: www.sugatsune.com

**SUGATSUNE SHANGHAI CO., LTD.**  
Phone: +86 (0)21 3632 1858  
Fax: +86 (0)21 3632 1868  
E-mail: lamp@sugatsune.com.cn  
Website: www.sugatsune.com.cn

2009.05 PRINTED IN JAPAN 0445-1

Thank you for purchasing this MonoFlat LIN-X hinge by SUGATSUNE. Before proceeding with the installation, please read this instruction manual carefully for the best possible result and ensure your safety.



**! WARNING**

- Failure to observe the following precautions may result in injury and/or lead to damage to surrounding cabinets or fittings.
- Choose suitable screws to ensure of proper installation of the cabinet and door.
- Ensure that door size, weight and material correspond to the specifications stated in this manual.
- Do not disassemble or modify the system.

■ Product Specification

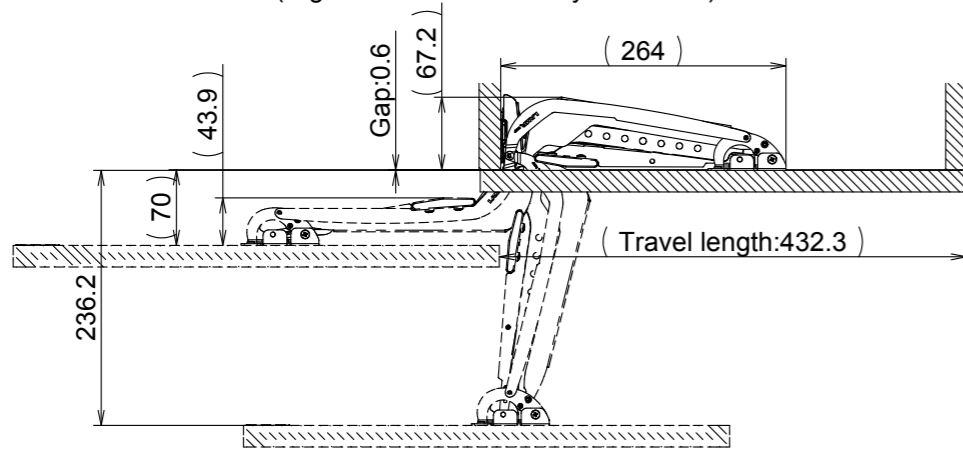
Door width	400~500 mm
Door height	600~900 mm
Door thickness	15~24 mm
Door weight	Max 7 kg (per door)

■ Parts List

① LIN-X Body ..... 2 pcs. 	② Mounting Plate ..... 2 pcs. 	③ Connecting plate ..... 1 pc. L=540mm 
④ Connecting plate Cover ..... 2 pcs. 	⑤ Cup Cover ..... 2 pcs. 	⑥ Countersunk head tapping screw 3.5×15 ..... 6 pcs. 
		⑦ Binding & tapping screw 3.5×15 ..... 8 pcs. 

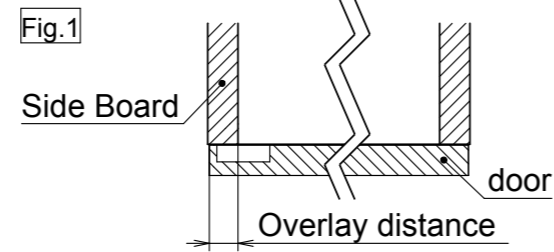
## Overall (unit: mm)

- Picture shows the left hand door use. (Right hand door use is symmetrical.)



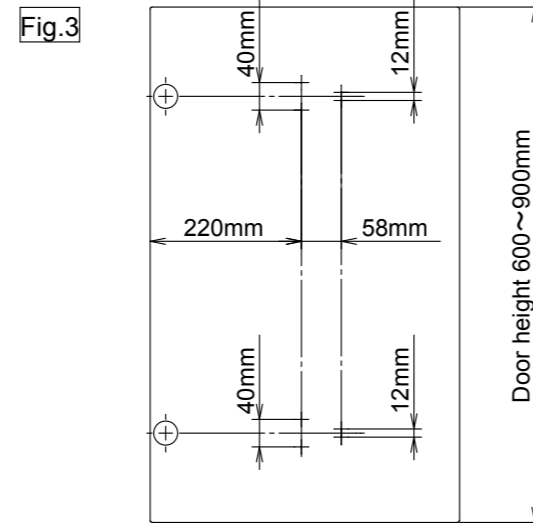
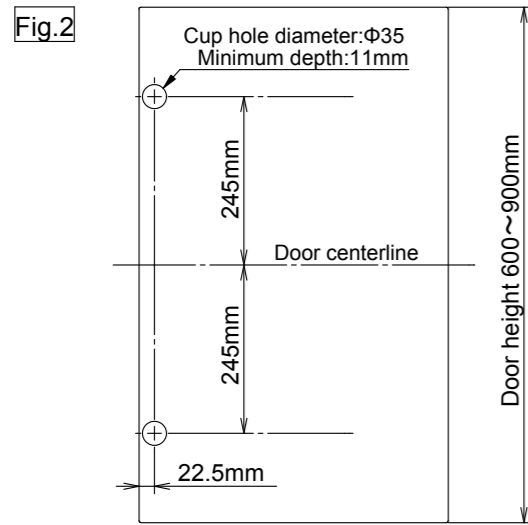
## Overlay distance

- Side overlay as shown in Fig. 1 is:
  - 19 mm for mounting plate 230-P4W-32T
  - 14 mm for mounting plate 230-P4W-32T+5
- An opening clearance of 2mm is required on both sides of the door.



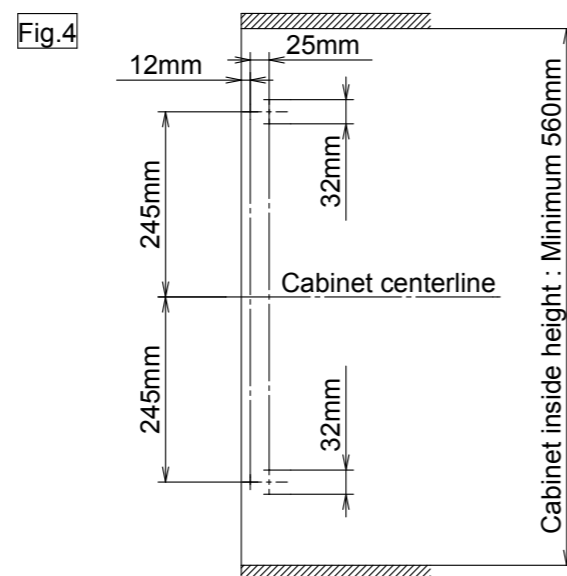
## Position of LIN-X Body

- Prepare the door as per Fig. 2 and Fig. 3



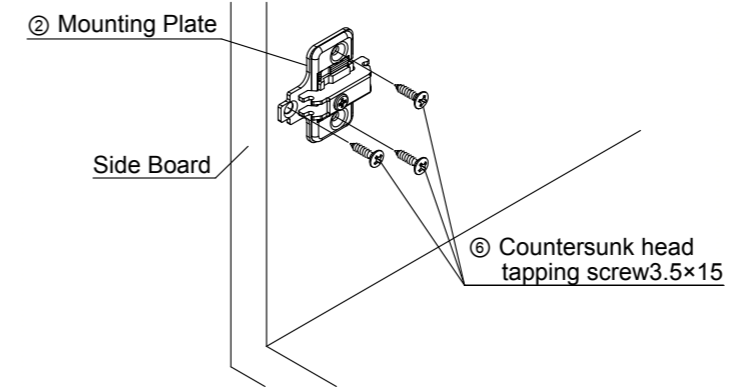
## Mounting Plate Position

- Prepare the sideboard for mounting plate installation as Fig. 4

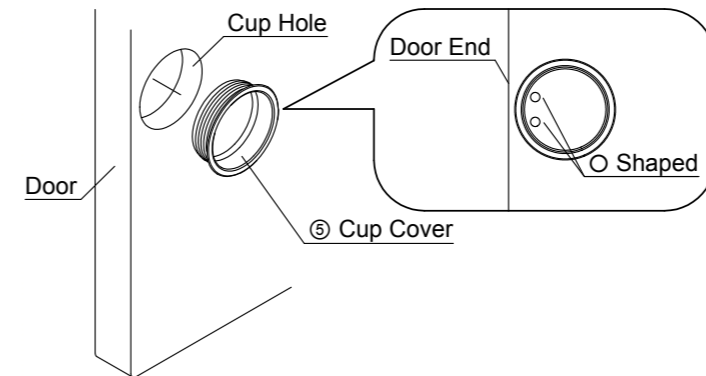


## Installation

### 1 Mounting plate installation:

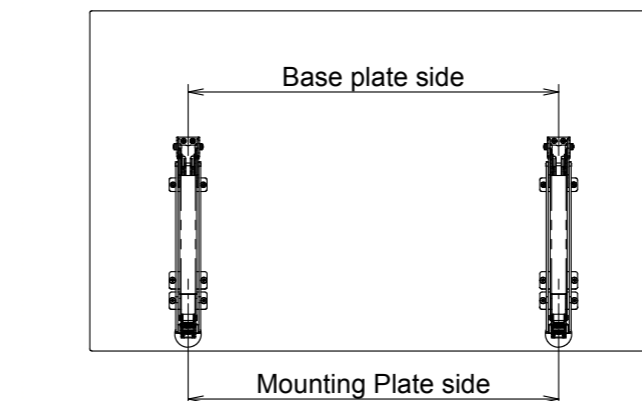
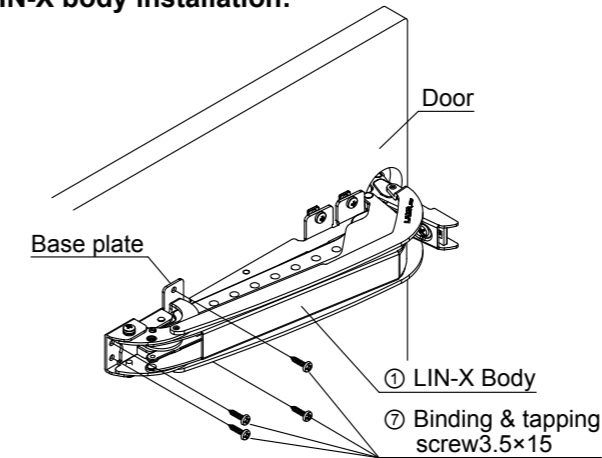


### 2 Cup Cover installation:



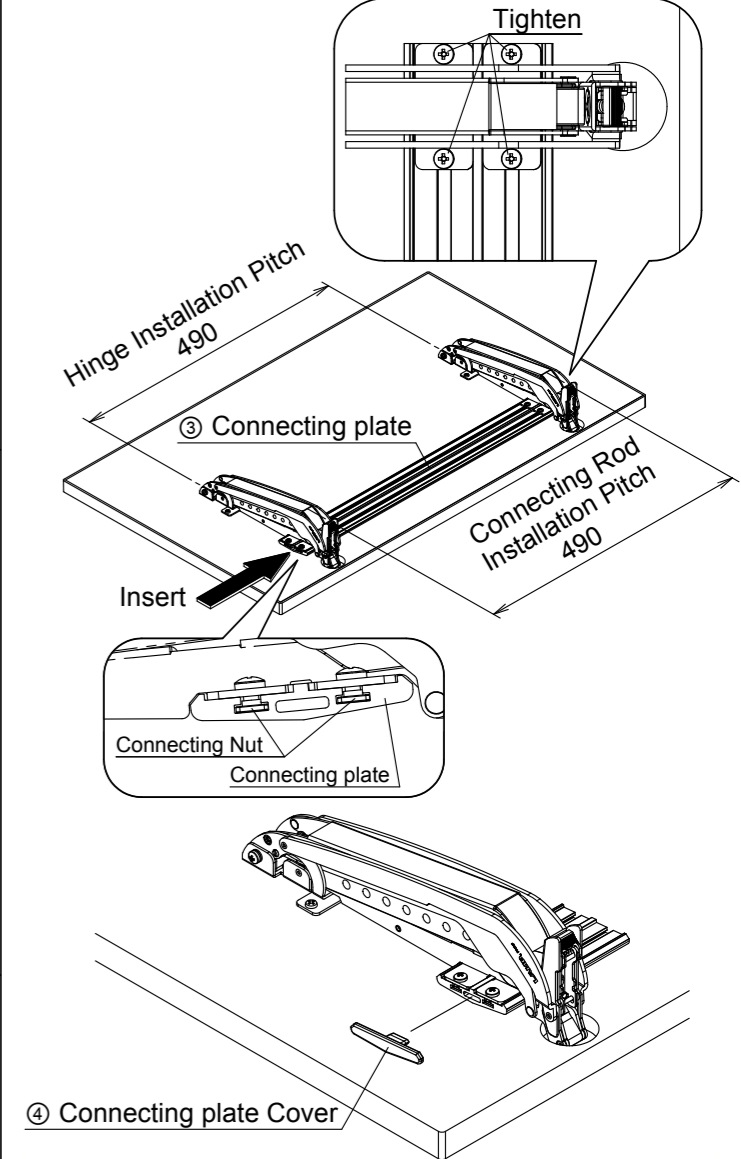
Ensure that the two O are pointing toward the edge of the door.

### 3 LIN-X body installation:

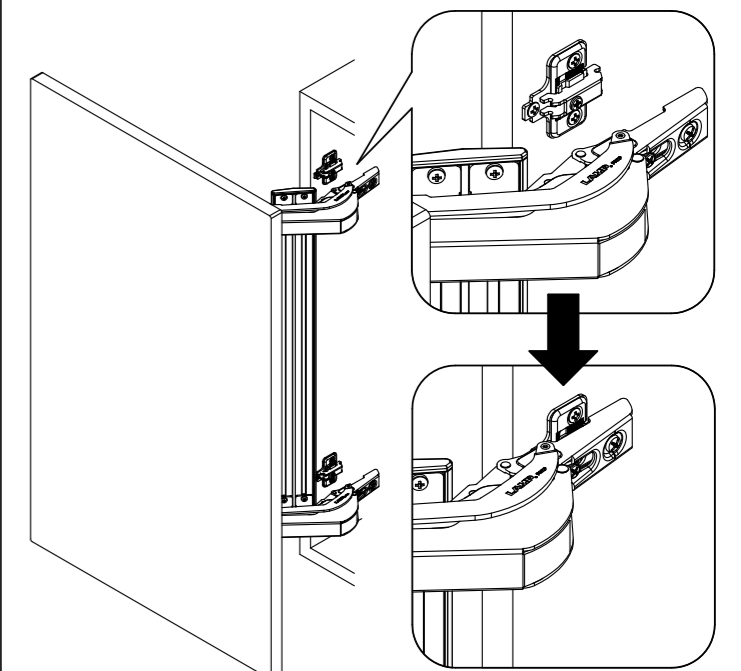


Ensure that the two LIN-X bodies are parallel by measuring both the base and mounting plate distances.

### 4 Connecting plate installation:



### 5 Door installation:



Ensure that the LIN-X body is securely attached to the mounting plates.