

## Lift systems



- ▶ AVENTOS HK top – stay lift
- ▶▶ Standard | SERVO-DRIVE

## Wooden fronts, wide and narrow alu frames

Webcode

DQHFJY



- Well-suited for low frontal heights in the wall cabinet, the high cabinet and over the refrigerator
- Cabinet height KH 205–600 mm
- Cabinet width KB up to 1800 mm
- Silent and effortless closing, thanks to **BLUMOTION**
- Light operating forces
- Perfect motion with a variable stop
- Tool-free assembly
- 3-dimensional front adjustment
- Simple, infinitely variable lift mechanism
- No hinges are necessary
- Integrated safety mechanism
- Integrated infinitely variable opening angle stop

## Power factor LF

Cabinet height KH (mm) x door weight incl. double handle weight (kg)

We recommend the more powerful lift mechanism for overlapping areas.

 Standard

 SERVO-DRIVE

## Order information

1 <input type="checkbox"/> <input checked="" type="checkbox"/> Lift mechanism set			
Fixing with pre-mounted system screws			
Power factor LF	Opening angle	Part no.	
420–1610	107°	22K2310	
930–2800	107°	22K2510	
1730–5200	107°	22K2710	
3200–9000	107°	22K2910	

## Composed of:

- 1 2 x Symmetrical lift mechanism with pre-mounted system screws

## Note

Max. door weight 18 kg for two lift mechanisms.

The power factor LF can be increased by 50 % when a third lift mechanism is used. The power factor LF and the door weight can be increased by 50 % when a third lift mechanism is used. The reason for this is to prevent the middle of the front from sagging when open

1 <input type="checkbox"/> <input checked="" type="checkbox"/> Lift mechanism set			
Fixing with chipboard screws with positioning system			
Power factor LF	Opening angle	Part no.	
420–1610	107°	22K2300	
930–2800	107°	22K2500	
1730–5200	107°	22K2700	
3200–9000	107°	22K2900	

## Composed of:

- 1 2 x Lift mechanism (symmetrical)

Incl. positioning system

- 8 x Chipboard screws Ø 4 x 35 mm

## Note

Max. door weight 18 kg for two lift mechanisms.

The power factor LF can be increased by 50 % when a third lift mechanism is used. The power factor LF and the door weight can be increased by 50 % when a third lift mechanism is used. The reason for this is to prevent the middle of the front from sagging when open

3 <input type="checkbox"/> <input checked="" type="checkbox"/> Cover cap set			
Colour	Material	Part no.	
HGR   SW   TGR	Nylon	22K8000	

Composed of:

- 1 x Cover cap left
- 3b 1 x Cover cap right
- 3c 2 x Branding element, stamped with Blum logo
- IN-G

3 <input checked="" type="checkbox"/> <input type="checkbox"/> Cover cap set for SERVO-DRIVE			
Colour	Material	Part no.	
HGR   SW   TGR	Nylon	23K8000	

Composed of:

- 3a 1 x SERVO-DRIVE cover cap left
- 3b 1 x Cover cap right
- 3c 2 x Branding element, stamped with Blum logo
- IN-G
- 3d 2 x SERVO-DRIVE switch
- 3e 2 x Blum distance bumper, Ø 5 mm

4 <input type="checkbox"/> <input checked="" type="checkbox"/> Front fixing bracket set			
Version	Part no.		
Wooden fronts and wide alu frames	20S4200		
Narrow alu frames	20S4200A		

1 Use 4 chipboard screws (609.1x00) per side for wooden fronts

1 Use 4 counter sunk self tapping screws (660.0950) per side for wide alu frames

4 <input type="checkbox"/> <input checked="" type="checkbox"/> Front fixing bracket		
Version	Part no.	
Thin fronts	20S4211	

EXPANDO T suitable for thin fronts – see page instructions

6 <input checked="" type="checkbox"/> SERVO-DRIVE set			
Colour	Material	Part no.	
R7037	Nylon	23KA000	

## Composed of:

- 6a 1 x Drive unit
- 6b 1 x Distribution cable, 1500 mm
- 6c 1 x Connecting node
- 6d 2 x Cable end protector

For three lift mechanisms or more, we recommend two synchronised drive units

7 <input checked="" type="checkbox"/> Blum transformer 24 W			
Language package	Part no.	Language package	Part no.
A	Z10NE030A	F	Z10NE030F
B	Z10NE030B	G	Z10NE030G
C	Z10NE030C	H	Z10NE030H
D	Z10NE030D	J	Z10NE030J
E	Z10NE030E		

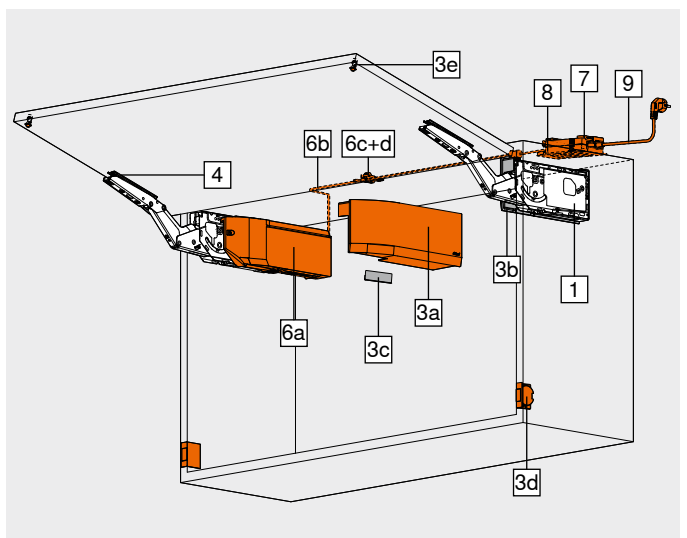
Incl. instruction leaflet and installation instructions

Without flex

## Language package

A	DE   EN   FR   IT   NL	F	BG   ET   LT   LV   RO   RU
B	DA   EN   FI   NO   SV	G	EN   ES   FR
C	EL   EN   HR   SL   SR   TR	H	EN   ZH
D	EN   ES   FR   IT   PT	J	JA
E	CS   HU   PL   SK		

Language descriptions as per ISO-639




Wooden fronts, wide and narrow alu frames

Webcode

DQHFJY

Order information


<b>8</b>		<b>Transformer unit housing</b>		
	<b>Colour</b>	<b>Material</b>	<b>Part no.</b>	
	WGR	Nylon	Z10NG120	

For Blum transformer 24 W

<b>9</b>		<b>Flex</b>			
	<b>Market</b>	<b>Part no.</b>	<b>Market</b>	<b>Part no.</b>	
	AR	Z10M200A	JP	Z10M200J	
	UK	Z10M200B	AU	Z10M200K	
	CH	Z10M200C	CL	Z10M200L	
	DK	Z10M200D	CN	Z10M200N	
	Europe	Z10M200E	BR	Z10M200S.01	
	Europe	Z10M200E.OS	TW	Z10M200T	
	IN	Z10M200H	US   CA	Z10M200U	
	IL	Z10M200I	ZA	Z10M200Z	

<sup>1</sup> Without plug

Alternative to 7 | 8 | 9

<b>–</b>		<b>Blum plug-in transformer 12 W</b>				
<b>Only suitable for one drive unit</b>						
	<b>Network adapter</b>	<b>Language package</b>	<b>Part no.</b>	<b>Network adapter</b>	<b>Language package</b>	<b>Part no.</b>
	E	A	Z10NA30EAF	E	F	Z10NA30EFF
	E	B	Z10NA30EBF	B	A	Z10NA30BAF
	E	C	Z10NA30ECF	K	D	Z10NA30KDF
	E	D	Z10NA30EDF	U	G	Z10NA30UGF
	E	E	Z10NA30EEF			

**Network adapter** <sup>1</sup>


**Composed of:**

- 1 x Blum plug-in transformer 12 W
- Incl. cable, 1120 mm (with distribution cable extendible to max. 2000 mm)

Other combinations available upon request

<sup>1</sup> See the Information chapter for a detailed market list

Accessories

<b>–</b>		<b>Distribution cable and cable end protector</b>		
	<b>Colour</b>	<b>Length (m)</b>	<b>Part no.</b>	
	S	8	Z10K800AE	


**Composed of:**

**6b** 1 x Distribution cable

**6d** 5 x Cable end protector

Can be used as a distribution cable

For cutting to size


<b>–</b>		<b>Connecting node and cable end protector</b>		
	<b>Colour</b>	<b>Material</b>	<b>Part no.</b>	
	S	Nylon	Z10V100E.01	

**Composed of:**

**6c** 1 x Connecting node

**6d** 2 x Cable end protector



Tool-free assembly

<b>–</b>		<b>Cable holder</b>		
	<b>Colour</b>	<b>Material</b>	<b>Part no.</b>	
	W	Nylon	Z10K0009	

For example, for securing the distribution cable

Colour		Colour	
HGR	Light grey	WGR	White grey
SW	Silk white	S	Black
TGR	Dark grey	W	White
R7037	RAL 7037 dust grey	IN-G	Inmold brushed stainless steel

Page instructions

Overview – AVENTOS HK top	47	Planning – Blum distance bumper	51	<b>Assembly, removal and adjustment</b>	
Fixing system for thin fronts – EXPANDO T	554	Planning – SERVO-DRIVE switch	51		
Assembly recommendation and limitation of liability – EXPANDO T	555	SERVO-DRIVE uno – market list	682	<b>Short-URL</b>	
Accessories – general	70	Overview – assembly devices	561		
Planning	50	Reference values for door weights	668		
		Machine directive	665		
		More technical details	662		

## Lift systems



- ▶ AVENTOS HK top – stay lift
- ▶▶ Standard | SERVO-DRIVE

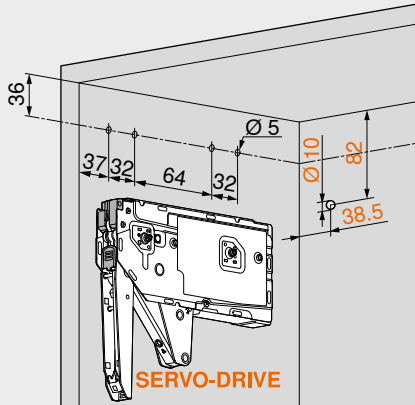
## Wooden fronts, wide and narrow alu frames

Webcode

DQHFJY

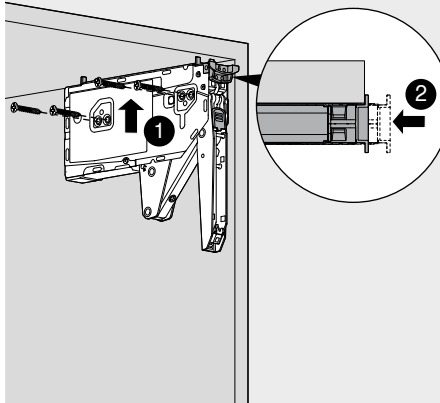
## Planning

## Drilling position – system screws



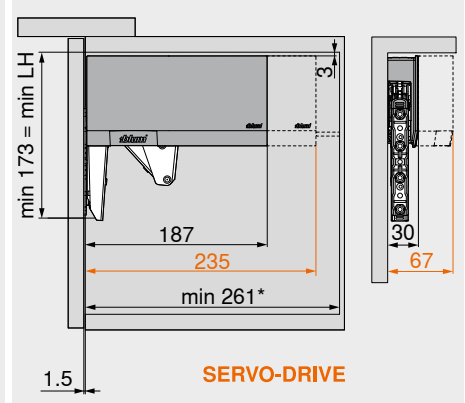
\* Drilling depth 11.5 mm

## Drilling position – chipboard screws



4 x chipboard screws Ø 4 x 35 mm

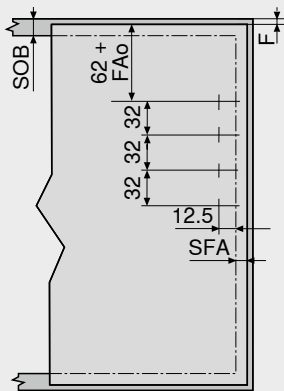
## Space requirement



LH Internal cabinet height

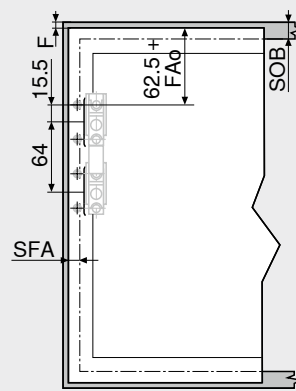
\* Min. 261 mm with visible wall hanging bracket

## Front assembly – wooden fronts and wide alu frames

Use 4 chipboard screws (609.1x00) for wooden fronts  
Use 4 counter sunk self tapping screws (660.0950) for wide alu frames

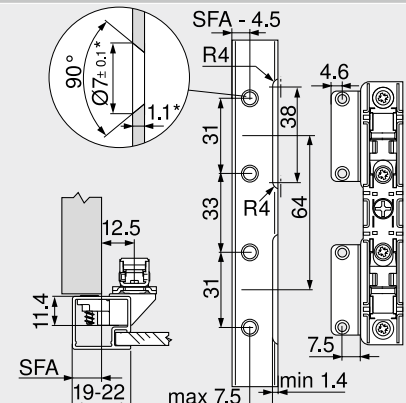
SOB Top panel thickness  
FAo Upper front overlay  
Max. 25.4 mm  
SFA Front overlay of the side panel  
F Gap

## Front assembly – narrow alu frames



SOB Top panel thickness  
FAo Upper front overlay  
Max. 25.4 mm  
SFA Front overlay of the side panel  
F Gap

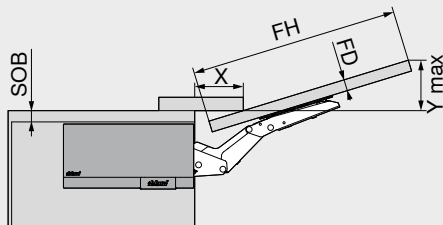
## Narrow alu frames



For frame width 19 mm, a side front overlay SFA of 11–18 mm is possible

\* When changing material thickness, adjust the assembly dimensions accordingly

## Space requirement – cornice | crown



## Space requirement (mm)

At max. opening angle

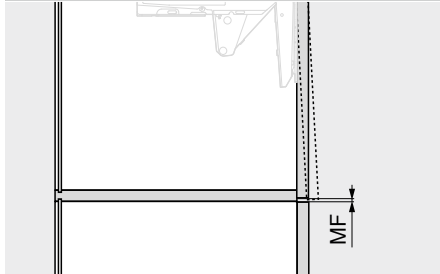
 $Y = FH \times 0.29 + FD - SOB$ 

FD (mm)	16	19	22	26	28
---------	----	----	----	----	----

X (mm)	68	57	47	33	27
--------	----	----	----	----	----

SOB Top panel thickness  
FH Front height  
FD Front thickness

## Minimum gap



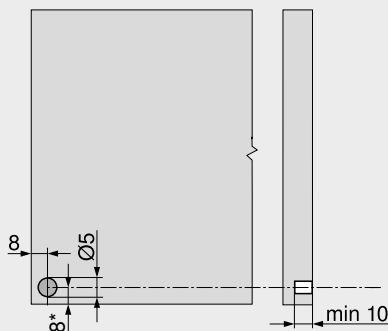
MF Minimum gap 2 mm

Wooden fronts, wide and narrow alu frames

Webcode  
DQHFJY

Planning

Blum distance bumper (SERVO-DRIVE application only)



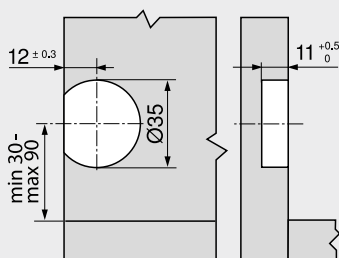
Insert Blum distance bumper (do not glue)  
Do not use bumpers in the upper third

**Recommendation for aluminium frames**

Consider drilling for the Blum distance bumper in the cabinet side  
A trial application must be carried out when fixing to the front

\* From cabinet bottom edge for fronts that protrude below

SERVO-DRIVE switch



Page instructions

Overview – AVENTOS HK top	47
Order specification – wooden fronts, wide and narrow alu frames	48
Overview – assembly devices	561
Machine directive	665
More technical details	662

AVENTOS HK top

Short-URL  
[www.blum.com/i014](http://www.blum.com/i014)



Assembly, removal and adjustment

Short-URL  
[www.blum.com/a170](http://www.blum.com/a170)

