

Hinge systems



- ▶ CLIP top BLUMOTION | CLIP top – hinges
- ▶▶ Thin door application

Hinge for thin doors

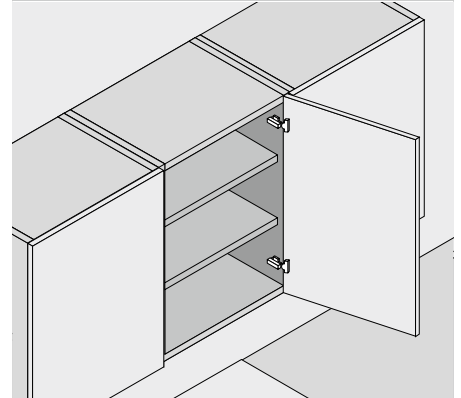


- Thin fronts from 8–14 mm
- EXPANDO T fixing system for a variety of front materials
- CLIP top BLUMOTION with integrated BLUMOTION (with deactivation option)
- CLIP top with or without closing mechanism (spring)
- 0-protrusion (for cabinets with inner pull-outs or pull-out shelves)
- 110° opening angle
- 3-dimensional front adjustment
- Tool-free door to cabinet assembly and removal

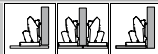
Webcode

DQGT1A

Application



Order information



Boss		<input type="checkbox"/> EXPANDO T	
Hinge	Spring	Colour	Part no.
CLIP top BLUMOTION	●	NI ONS	71B453T
CLIP top	●	NI	71T453T
CLIP top	○	NI	70T453T.TL
● With spring		NI Nickel plated	
○ Unsprung		ONS Onyx black	

The different overlay applications can be achieved with the appropriate fixing positions

Area of application – EXPANDO T

EXPANDO T is suitable for fixing Blum fittings to thin front materials in furniture manufacturing

With sufficient stability and strength, front materials of 8 mm thickness and above may be used

Area of application and assembly recommendation

Materials tested by Blum	Transverse tensile strength (N/mm ²)	Min. tightening torque (Nm)
Chipboard	> 0.40	1.5
MDF	> 0.60	1.5
HDF		2
HPL		2
Mineral composites		2
Nero Assoluto natural granite stone		3
Quartz composite artificial stone		3
Ceramic plates		3

Accessories

Hinge arm cover cap			
Print Stamp	Logo	Colour	Part no.
Plain	–	NI ONS	70.4503
Stamped	Blum	NI	70.4503.BP

Limitation of liability

Blum accepts no liability for the use of EXPANDO T in combination with materials not listed or fittings from other manufacturers

It is recommended that the assembly be carried out by an experienced furniture manufacturer

Note

A trial application is recommended when combining CLIP top BLUMOTION hinges and CLIP top hinges with springs on small, light fronts up to 300 mm wide. Combining these is not recommended for wider fronts.

Accessories – general

Opening angle stop		
Opening angle	Colour	Part no.
85°	Dark grey	70T4503
92°	R7037	70T4503.09
R7037	RAL 7037 dust grey	

TIP-ON for doors			
Version	Hinge	Spring	Part no.
Short version	CLIP top	○	956.1004
Extended version	CLIP top	○	956A1004
Extended version	CLIP top	●	956A1006
● With spring		○ Unsprung	

Hinge boss cover cap		
Hinge	Colour	Part no.
CLIP top BLUMOTION	NI ONS	70T4504
CLIP top	NI	70T4504
NI Nickel plated	ONS Onyx black	