

Lift systems



- ▶ AVENTOS HF – bi-fold lift system
- ▶▶ Standard/SERVO-DRIVE



Wooden fronts and wide alu frames



- Ideal for wall cabinets with divided fronts
- Cabinet height KH 480–1040 mm
- Cabinet width KB up to 1800 mm
- Silent and effortless closing, thanks to BLUMOTION
- Light operating forces
- Variable stop
- Tool-free assembly
- 3-dimensional front adjustment of both fronts
- Simple, infinitely variable lift mechanism
- Centre hinge with finger safety feature

Webcode

DQD8YM

Power factor LF

Cabinet height KH (mm) x combined weight of both fronts and handle (kg)

Theoret. cabinet height TKH

Front height top FHo (mm) x 2 + gaps

We recommend the more powerful lift mechanism for overlapping areas.

 Standard

 SERVO-DRIVE

Order information

1	<input type="checkbox"/> Standard	<input checked="" type="checkbox"/> SERVO-DRIVE	Lift mechanism set	Part no.
			Power factor LF	
			2600–5500 (1 pc LF 960–2650)	20F2200.05
			5350–10150	20F2500.05
			9000–17250 (3 pc LF 13500–25900)	20F2800.05
Composed of:				
1	2 x		Lift mechanism (symmetrical)	
–	8 x		Chipboard screws Ø 4 x 35 mm	

2	<input type="checkbox"/> Standard	<input checked="" type="checkbox"/> SERVO-DRIVE	Telescopic arm set	Part no.
			Cabinet height KH (mm)	
			480–570	20F3200.01
			560–710	20F3500.01
			700–900	20F3800.01
			760–1040	20F3900.01
Composed of:				
2	2 x		Telescopic arm (symmetrical)	
1			Theoretical cabinet height TKH for asymmetrical fronts	

3	<input type="checkbox"/> Standard	<input checked="" type="checkbox"/> SERVO-DRIVE	Cover cap set	Part no.
			Material	
			Nylon	20F8000
			Colour	
			HGR SW NI-L	
Composed of:				
3a	1 x		Cover cap large left	
3b	1 x		Cover cap large right	
3c	2 x		Cover cap round	

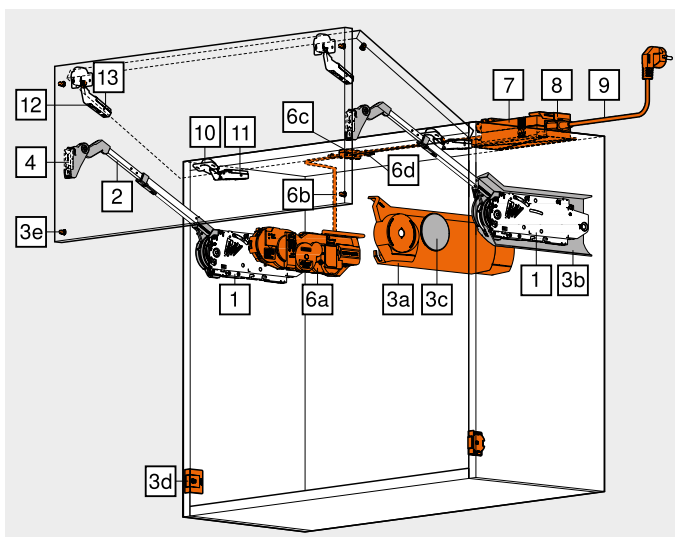
3	<input type="checkbox"/> Standard	<input checked="" type="checkbox"/> SERVO-DRIVE	Cover cap set for SERVO-DRIVE	Part no.
			Material	
			Nylon	21F8000
			Colour	
			HGR SW NI-L	
Composed of:				
3a	1 x		SERVO-DRIVE cover plate left	
3b	1 x		Cover cap large right	
3c	2 x		Cover cap round	
3d	2 x		SERVO-DRIVE switch	
3e	6 x		Blum distance bumper, Ø 5 mm	

4	<input type="checkbox"/> Standard	<input checked="" type="checkbox"/> SERVO-DRIVE	Mounting plate for telescopic arm	Part no.
Recommendation				
			Fixing	
			Screw-on	175H3100
			EXPANDO	177H3100E
			Knock-in	177H3100
All horizontal mounting plates with 0 mm distance				
1			Use 2 chipboard screws (609.1x00) per side for wooden fronts	
1			Use 2 counter sunk self tapping screws (660.0950) per side for wide alu frames	

6	<input type="checkbox"/> Standard	<input checked="" type="checkbox"/> SERVO-DRIVE	SERVO-DRIVE set	Part no.
			Material	
			Nylon	21FA000
			Colour	
			R7037	
Composed of:				
6a	1 x		Drive unit	
6b	1 x		Distribution cable, 1500 mm	
6c	1 x		Connecting node	
6d	2 x		Cable end protector	
For three lift mechanisms or more, we recommend two synchronised drive units				

7	<input type="checkbox"/> Standard	<input checked="" type="checkbox"/> SERVO-DRIVE	Blum transformer 24 W	Part no.
			Language package	
			A	Z10NE030A
			B	Z10NE030B
			C	Z10NE030C
			D	Z10NE030D
			E	Z10NE030E
			F	Z10NE030F
			G	Z10NE030G
			H	Z10NE030H
Including instruction leaflet and installation instructions				
Without flex				
Language package				
A	DE, EN, FR, IT, NL	E	CS, HU, PL, SK	
B	DA, EN, FI, NO, SV	F	BG, ET, LT, LV, RO, RU	
C	EL, EN, HR, SL, SR, TR	G	EN, ES, FR	
D	EN, ES, FR, IT, PT	H	EN, ZH	
Language descriptions as per ISO-639				

8	<input type="checkbox"/> Standard	<input checked="" type="checkbox"/> SERVO-DRIVE	Transformer unit housing	Part no.
			Material	
			Nylon	Z10NG120
			Colour	
			WGR	
For Blum transformer 24 W				





Wooden fronts and wide alu frames Webcode
DQD8YM

Order information

9 **Flex**

Countries	Part no.	Countries	Part no.
Europe	Z10M200E	CH	Z10M200C
US, CA	Z10M200U	JP	Z10M200J
BR	Z10M200S.01	UK	Z10M200B
DK	Z10M200D	IL	Z10M200I
AU	Z10M200K	CN	Z10M200N
AR	Z10M200A	IN	Z10M200H
CL	Z10M200L	TW	Z10M200T
ZA	Z10M200Z	Europe ¹	Z10M200E.OS

¹ Without plug

Alternative to 7, 8, 9

– **Blum plug-in transformer 12 W**

Only suitable for one drive unit

Network adapter	Language package	Part no.	Network adapter	Language package	Part no.
E	A	Z10NA30EAF	E	F	Z10NA30EFF
E	B	Z10NA30EBF	B	A	Z10NA30BAF
E	C	Z10NA30ECF	K	D	Z10NA30KDF
E	D	Z10NA30EDF	U	G	Z10NA30UGF
E	E	Z10NA30EEF			

Network adapter

E B K U

Composed of:

– 1 x Blum plug-in transformer 12 W

Incl. cable, 1120 mm (with distribution cable extendible to max. 2000 mm)

Other combinations available upon request

¹ See the Information chapter for a detailed country list

10 **CLIP top 120° hinge**

Boss	Spring	Part no.
INSERTA	Unsprung	70T5590BTL
Screw-on	Unsprung ²	70T5550.TL

Boss overlay TO (fixed dimension) 11 mm

3 hinges starting at cabinet width 1200 mm and/or 12 kg front weight

4 hinges starting at cabinet width 1800 mm and/or 20 kg front weight

² Use chipboard screws (609.1x00) for wooden fronts

² Use counter sunk self tapping screws (660.0950) for wide alu frames

Alternative to 10

10 **CLIP top 120° special hinge for larger front overlay**

Boss	Spring	Part no.
INSERTA	Unsprung	72T5590BTL
Screw-on	Unsprung ²	72T5550.TL

Boss overlay TO (fixed dimension) 13 mm

3 hinges starting at cabinet width 1200 mm and/or 12 kg front weight

4 hinges starting at cabinet width 1800 mm and/or 20 kg front weight

11 **Mounting plate for CLIP top 120° hinge**

Recommendation

Fixing	Spacing (mm)	Part no.
Screw-on	0 ²	175H3100
EXPANDO	0	177H3100E
Knock-in	0	177H3100

Standard mounting plates, distance depends on upper front overlay

12 **CLIP top centre hinge**

Boss	Spring	Part no.
EXPANDO	Unsprung	78Z553ET
Screw-on	Unsprung ²	78Z5500T

3 hinges starting at cabinet width 1200 mm and/or 12 kg front weight

4 hinges starting at cabinet width 1800 mm and/or 20 kg front weight

13 **Mounting plate for CLIP top-centre hinge**

Recommendation

Fixing	Spacing (mm)	Part no.
Screw-on	0 ²	175H3100
EXPANDO	0	177H3100E
Knock-in	0	177H3100

Standard mounting plates with 0 mm distance

Only use cruciform mounting plates for wide aluminium frames under a 57 mm frame frieze width

– **Distribution cable and cable end protector**

Length (mm)	Colour	Part no.
8	S	Z10K800AE

Composed of:

6b 1 x Distribution cable

6d 5 x Cable end protector

Can be used as a distribution cable

For cutting to size

– **Connecting node and cable end protector**

Material	Colour	Part no.
Nylon	S	Z10V100E.01

Composed of:

6c 1 x Connecting node

6d 2 x Cable end protector

Tool-free assembly

a Accessories

– **Opening angle stop**

Opening angle	Colour	Part no.
104°	TGR	20F7051
83°	R7037	20F7011

– **Cable holder**

Material	Colour	Part no.
Nylon	W	Z10K0009

For example, for securing the distribution cable

Colour		Colour	
HGR	Light grey	WGR	White grey
SW	Silk white	TGR	Dark grey
NI-L	Nickel lacquered	S	Black
R7037	RAL 7037 dust grey	W	White

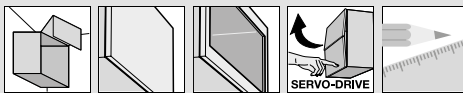
Page instructions

Overview – AVENTOS HF	29	Planning – Blum distance bumper	39	Overview – assembly devices	683
SERVO-DRIVE uno for AVENTOS	646	Planning – SERVO-DRIVE switch	39	Reference values for door weights	780
Accessories – hinge set	38	Warning and safety information	40	More technical details	774
Mounting plates	186	SERVO-DRIVE uno – country list	794		
Accessories – general	96	Assembly, removal and adjustment	40		
Planning – symmetrical	32	Assembly, removal and adjustment –	98		
Planning – asymmetrical	33	SERVO-DRIVE			

Lift systems



- ▶ AVENTOS HF – bi-fold lift system
- ▶▶ Standard/SERVO-DRIVE

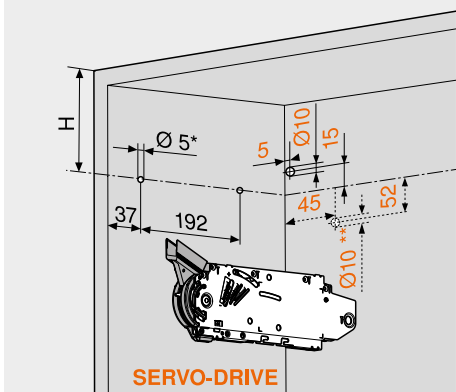


Wooden fronts and wide alu frames

Webcode
DQD8YM

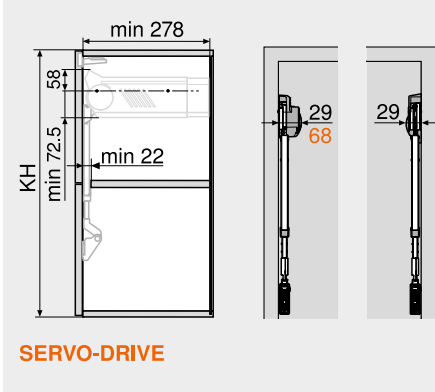
Planning – symmetrical

Drilling position

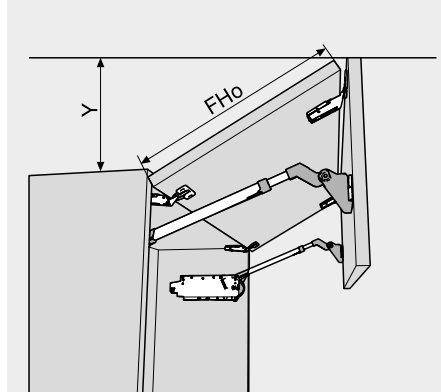


Cabinet height KH (mm)	H (mm)
480–549	KH x 0.3 – 28
550–1040	KH x 0.3 – 57
4 x chipboard screws Ø 4 x 35 mm	
Drilling for SERVO-DRIVE distribution cable, left only	
* Drilling depth 5 mm	
** Alternative drilling	

Space requirement

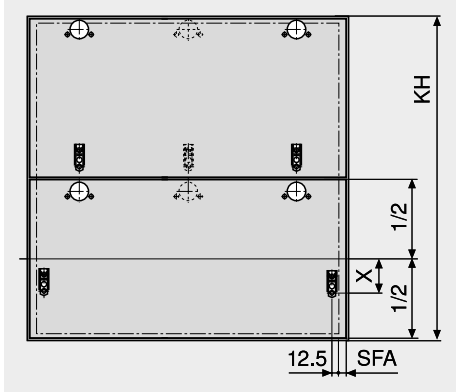


KH	Cabinet height
----	----------------



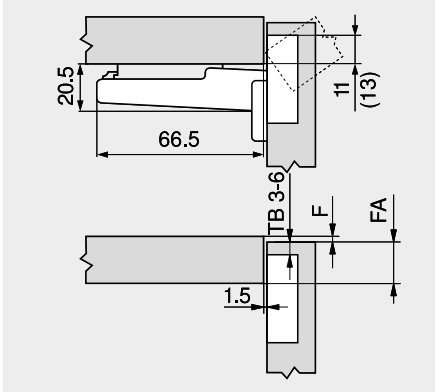
Opening angle stop	Y (mm)
Without	FHo x 0.44 + 38
104°	FHo x 0.24 + 34
83°	0
FHo	Upper front height

Front assembly



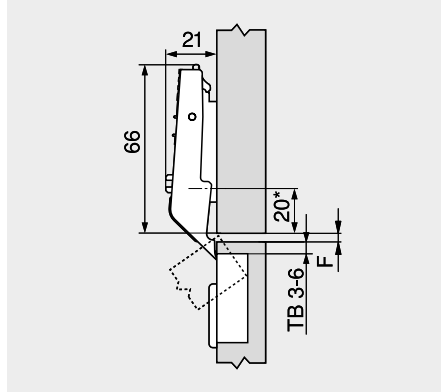
Cabinet height KH (mm)	X (mm)	
	177H3100, 177H3100E, 177H3100E10, 177H5100, 175H3100, 175H4100	175H5400, 177H5400E
480–549	70	68
550–1040	47	45
SFA	Front overlay of the side panel	

CLIP top 120° hinge



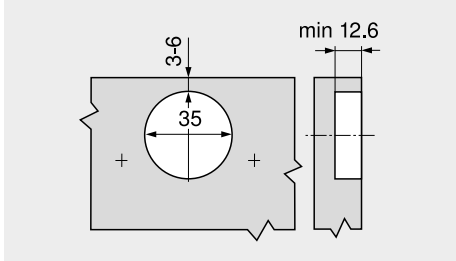
F	Gap
()	CLIP top 120° special hinge
Drilling distance TB	
Front overlay FA (mm)	
MD	5 6 7 8 9 10 11 12 13 14 15 16 17
0	
3	
6	
9	
MD	Mounting plate spacing (mm)

CLIP top centre hinge

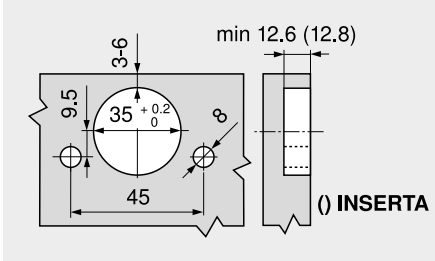


F	Min. gap 1.5 mm
*	37 mm for cruciform mounting plates (37/32)
Drilling distance TB	
Horizontal gap between fronts F (mm)	
MD	3 4 5 6
0	
3	
6	
9	
MD	Mounting plate spacing (mm)

Screw-on



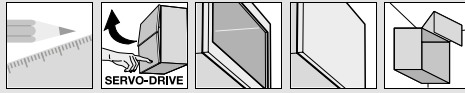
INSERTA/EXPANDO



Page instructions

Overview – AVENTOS HF	29
Order specification – wooden fronts and wide alu frames	30
Planning – Blum distance bumper	39
Planning – SERVO-DRIVE switch	39
Warning and safety information	40
Assembly, removal and adjustment	40
Assembly, removal and adjustment – SERVO-DRIVE	98

AVENTOS HF – bi-fold lift system ▶
Standard/SERVO-DRIVE ◀◀

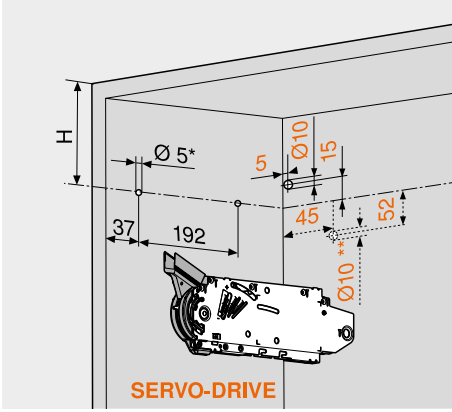


Wooden fronts and wide alu frames

Webcode
DQD8YM

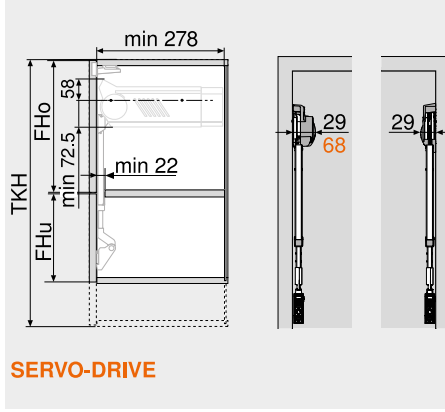
Planning – asymmetrical

Drilling position

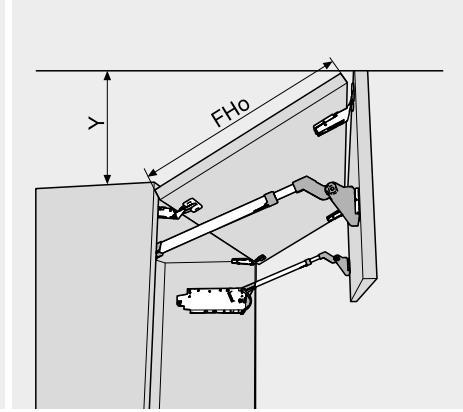


Theoret. cabinet height TKH (mm)	H (mm)
480–549	TKH x 0.3 – 28
550–1040	TKH x 0.3 – 57
4 x chipboard screws Ø 4 x 35 mm	
Drilling for SERVO-DRIVE distribution cable, left only	
* Drilling depth 5 mm	
** Alternative drilling	

Space requirement

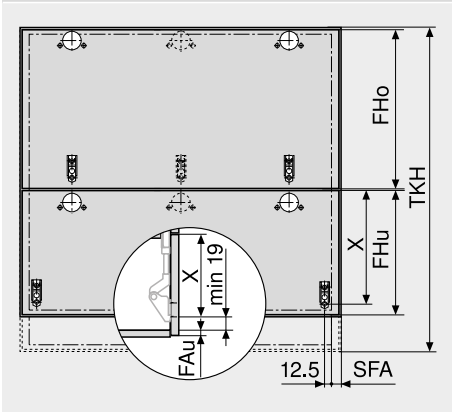


TKH = FHo (mm) x 2 + gaps
TKH Theoretical cabinet height
KH Cabinet height
FHo Upper front height
FHu Lower front height



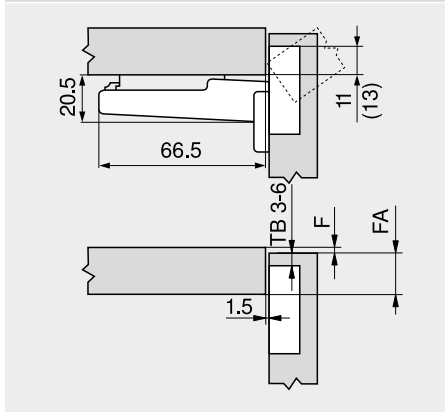
Opening angle stop	Y (mm)
Without	FHo x 0.44 + 38
104°	FHo x 0.24 + 34
83°	0
FHo	Upper front height

Front assembly



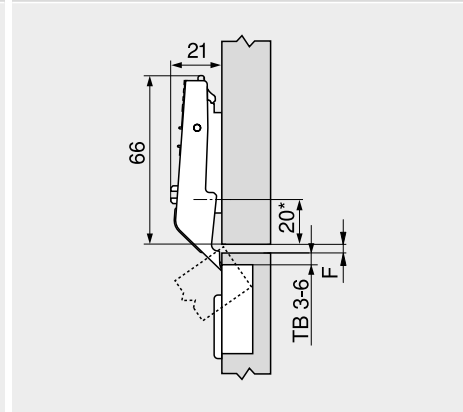
Theoret. cabinet height TKH (mm)	X (mm)	175H5400, 177H5400E
480–549	FHo / 2 + 70	FHo / 2 + 68
550–1040	FHo / 2 + 47	FHo / 2 + 45
FHo	Upper front height	
FHu	Lower front height	
FAu	Bottom front overlay	
SFA	Front overlay of the side panel	

CLIP top 120° hinge



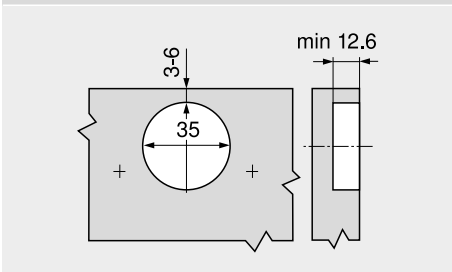
F	Gap
()	CLIP top 120° special hinge
Drilling distance TB	
Front overlay FA (mm)	
MD	5 6 7 8 9 10 11 12 13 14 15 16 17
0	
3	
6	
9	3 4 5 6
MD	Mounting plate spacing (mm)

CLIP top centre hinge

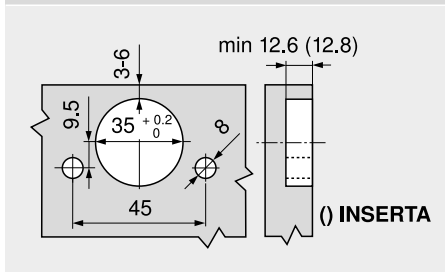


F	Min. gap 1.5 mm
*	37 mm for cruciform mounting plates (37/32)
Drilling distance TB	
Horizontal gap between fronts F (mm)	
MD	3 4 5 6
0	
3	6 5 4 3
6	
9	
MD	Mounting plate spacing (mm)

Screw-on



INSERTA/EXPANDO



Page instructions

Overview – AVENTOS HF	29
Order specification – wooden fronts and wide alu frames	30
Planning – Blum distance bumper	39
Planning – SERVO-DRIVE switch	39
Warning and safety information	40
Assembly, removal and adjustment	40
Assembly, removal and adjustment – SERVO-DRIVE	98