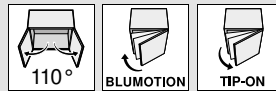


Hinge systems



- ▶ CLIP top BLUMOTION / CLIP top – hinges
- ▶▶ Standard application



Hinge systems

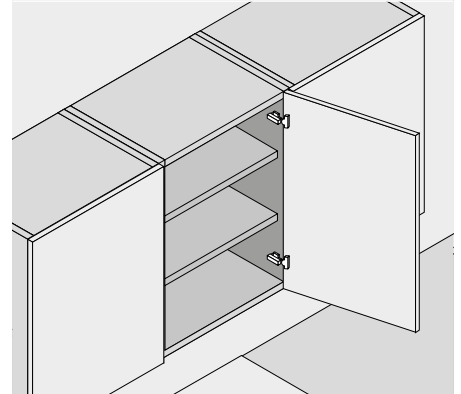
110° hinge

Webcode
DQDELA



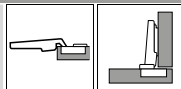
- CLIP top BLUMOTION with integrated BLUMOTION (with deactivation option)
- CLIP top with or without closing mechanism (spring)
- All metal hinge, nickel plated
- 110° opening angle
- 3-dimensional front adjustment
- Convenient spiral-tech depth adjustment
- Tool-free door to cabinet assembly and removal
- With INSERTA tool-free hinge to door assembly

Application



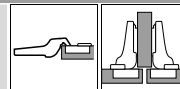
Order information

Overlay application



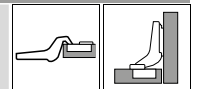
Boss		INSERTA	
Hinge	Spring	Part no.	
CLIP top BLUMOTION	●	71B3590	
CLIP top	●	71T3590	
CLIP top	○	70T3590.TL	
● With spring		○ Unsprung	

Dual application



Boss		INSERTA	
Hinge	Spring	Part no.	
CLIP top BLUMOTION	●	71B3690	
CLIP top	●	71T3690	
CLIP top	○	70T3690.TL	
● With spring		○ Unsprung	

Inset application



Boss		INSERTA	
Hinge	Spring	Part no.	
CLIP top BLUMOTION	●	71B3790	
CLIP top	●	71T3790	
CLIP top	○	70T3790.TL	
● With spring		○ Unsprung	

Boss		Screw-on	
Hinge	Spring	Part no.	
CLIP top BLUMOTION	●	71B3550	
CLIP top	●	71T3550	
CLIP top	○	70T3550.TL	

Boss		Screw-on	
Hinge	Spring	Part no.	
CLIP top BLUMOTION	●	71B3650	
CLIP top	●	71T3650	
CLIP top	○	70T3650.TL	

Boss		Screw-on	
Hinge	Spring	Part no.	
CLIP top BLUMOTION	●	71B3750	
CLIP top	●	71T3750	
CLIP top	○	70T3750.TL	

Boss		Knock-in	
Hinge	Spring	Part no.	
CLIP top BLUMOTION	●	71B3580	
CLIP top	●	71T3580	

Boss		Knock-in	
Hinge	Spring	Part no.	
CLIP top BLUMOTION	●	71B3680	
CLIP top	●	71T3680	

Boss		Knock-in	
Hinge	Spring	Part no.	
CLIP top BLUMOTION	●	71B3780	
CLIP top	●	71T3780	

a Accessories		
Hinge arm cover cap		
Print/Stamp	Logo	Part no.
Plain	–	70.1503
Stamped	Blum	70.1503.BP

a Accessories		
Hinge arm cover cap		
Print/Stamp	Logo	Part no.
Plain	–	70.1663
Stamped	Blum	70.1663.BP

a Accessories		
Hinge arm cover cap		
Print/Stamp	Logo	Part no.
Plain	–	70.1663
Stamped	Blum	70.1663.BP

Note

A trial application is recommended when combining CLIP top BLUMOTION hinges and CLIP top hinges with springs on small, light fronts up to 300 mm wide. Combining these is not recommended for wider fronts.

a Accessories – general

Opening angle stop	
Opening angle	Part no.
86°	70T3553

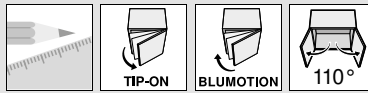
Hinge boss cover cap	
Hinge	Part no.
CLIP top BLUMOTION	70T3504
CLIP top	70T3504

Chipboard screws		
Ø (mm)	Length (mm)	Part no.
3.5	15	609.1500
3.5	17	609.1700

TIP-ON for doors		
Version	Spring	Part no.
Short version	○	956.1004
Extended version	○	956A1004
Extended version	●	956A1006
● With spring		○ Unsprung

Hinge boss spacing		
Hinge	Spacing (mm)	Part no.
CLIP top BLUMOTION	1.5	70T3507.21
CLIP top	1.5	70T3507.21

Insertion ram		
Material	Colour	Part no.
Nylon	Orange	MZM.0040



110° hinge

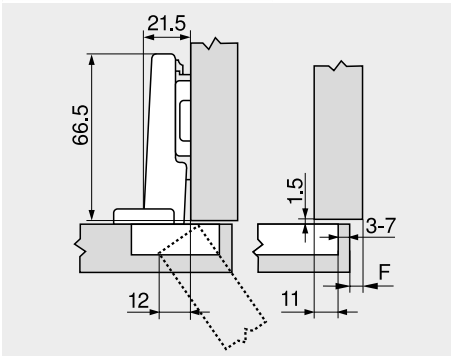
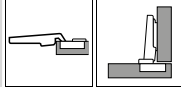
Webcode
DQDELA

Planning

Hinge dimensions and gap calculation based on factory setting (mounting plate spacing = 0 mm)

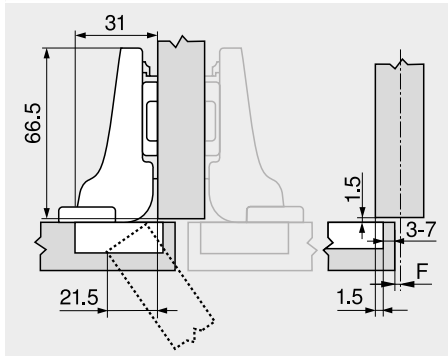
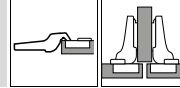
Hinge and front protrusion at full opening angle

Overlay application

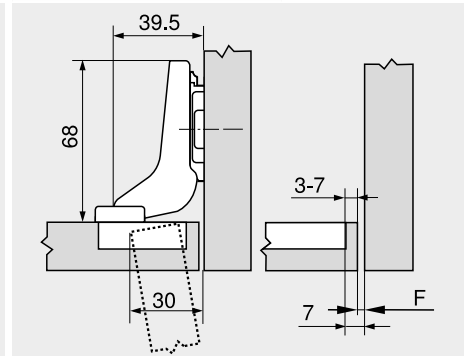
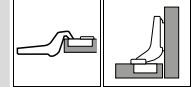


F Gap

Dual application



Inset application



Set mounting plate back by door thickness +1.5 mm

Drilling distance TB

MD	Front overlay FA (mm)																	
	5	6	7	8	9	10	11	12	13	14	15	16	17	18				
0																		
3							3	4	5	6	7							
6				3	4	5	6	7										
9	3	4	5	6	7													
MD	Mounting plate spacing (mm)																	

MD	Front overlay FA (mm)															
	-4.5	-3.5	-2.5	-1.5	-0.5	0.5	1.5	2.5	3.5	4.5	5.5	6.5	7.5	8.5		
0																
3										3	4	5	6	7		
6										3	4	5	6	7		
9	3	4	5	6	7											
MD	Mounting plate spacing (mm)															

MD	Front overlay FA (mm)													
									-4	-3	-2	-1	0	
0														
3										3	4	5	6	7
6														
9														
MD	Mounting plate spacing (mm)													

Minimum gap (F) for fronts with a front radius (R = 1 mm) based on the factory setting

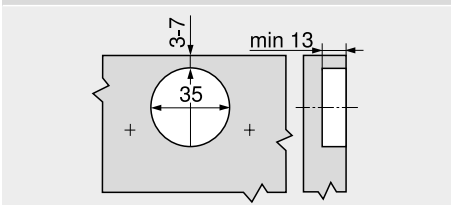
Drilling distance TB (mm)	Front thickness FD (mm)											
	16	18	19	20	21	22	23	24	25	26	28	30
3	0.5	0.8	1.0	1.2	1.5	1.8	2.2	2.7	3.5	4.3	Δ	Δ
4	0.5	0.8	1.0	1.2	1.4	1.7	2.0	2.5	3.1	3.8	Δ	Δ
5	0.5	0.8	0.9	1.2	1.4	1.7	2.0	2.4	2.9	3.4	Δ	Δ
6	0.5	0.8	0.9	1.2	1.3	1.6	1.9	2.3	2.7	3.2	Δ	Δ
7	0.5	0.8	0.9	1.1	1.3	1.6	1.9	2.2	2.6	3.0	Δ	Δ
Additional for +2 mm side adjustment												
	+0.2	+0.4	+0.4	+0.5	+0.5	+0.5	+0.5	+0.5	+0.5	+0.5		

Δ In these cases a trial is recommended

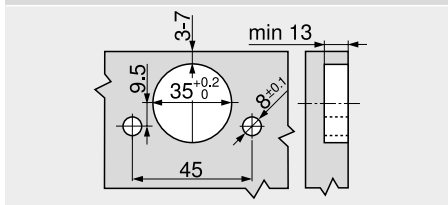
Adjustment

Max. ±3.0 mm See mounting plates	±2.0 mm	+3.0 mm -2.0 mm

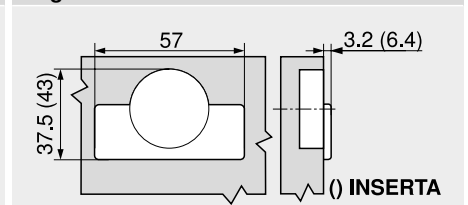
Screw-on



INSERTA/knock-in



Hinge boss dimensions



Page instructions

Overview – CLIP top BLUMOTION / CLIP top – hinges	107	Overview – TIP-ON for doors	653
Mounting plates	186	Assembly, removal and adjustment	196
Accessories – hinge arm cover cap	193	Overview – assembly devices	683
Accessories – general	194	More technical details	774
Overview – BLUMOTION for doors	539		