

# Hinge systems



- ▶ CLIP top BLUMOTION | CLIP top – hinges
- ▶▶ Wide angled application

Hinge systems

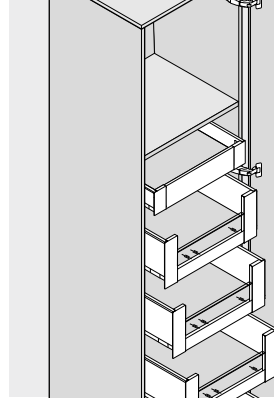
## 155° hinge



- 0-protrusion for overlay application (for cabinets with inner pull-outs or pull-out shelves)
- CLIP top BLUMOTION with integrated BLUMOTION (with deactivation option)
- CLIP top with or without closing mechanism (spring)
- 155° opening angle
- 3-dimensional front adjustment
- Convenient spiral-tech depth adjustment
- Tool-free door to cabinet assembly and removal
- With INSERTA tool-free hinge to door assembly
- Suitable for special applications, e.g. mitred doors

Webcode  
DQDHEM

### Application



### Order information

#### Overlay application

##### 0-protrusion

Boss		INSERTA		
Hinge	Spring	Colour	Part no.	
CLIP top BLUMOTION	●	NI   ONS	71B7590	
CLIP top	●	NI	71T7590	
CLIP top	○	NI   ONS	70T7590.TL	
● With spring	NI	Nickel plated		
○ Unsprung	ONS	Onyx black		

#### Dual application

Boss		INSERTA		
Hinge	Spring	Colour	Part no.	
CLIP top BLUMOTION	●	NI   ONS	71B7690	
CLIP top	○	NI	70T7690.TL	
● With spring	NI	Nickel plated		
○ Unsprung	ONS	Onyx black		

#### Inset application

For inset application use hinges for twin application and a 9 mm spaced mounting plate

Boss		Screw-on		
Hinge	Spring	Colour	Part no.	
CLIP top BLUMOTION	●	NI   ONS	71B7550	
CLIP top	●	NI	71T7550	
CLIP top	○	NI   ONS	70T7550.TL	

Boss		Screw-on		
Hinge	Spring	Colour	Part no.	
CLIP top BLUMOTION	●	NI	71B7650	
CLIP top	●	NI	71T7650	
CLIP top	○	NI	70T7650.TL	

Boss		Knock-in		
Hinge	Spring	Colour	Part no.	
CLIP top BLUMOTION	●	NI   ONS	71B7580	
CLIP top	●	NI	71T7580	

#### Accessories

Hinge arm cover cap			
Print   Stamp	Logo	Colour	Part no.
Plain	–	NI   ONS	70.4503
Stamped	Blum	NI	70.4503.BP

#### Accessories

Hinge arm cover cap			
Print   Stamp	Logo	Colour	Part no.
Plain	–	NI   ONS	70.4503
Stamped	Blum	NI	70.4503.BP

#### Note

A trial application is recommended when combining CLIP top BLUMOTION hinges and CLIP top hinges with springs on small, light fronts up to 300 mm wide. Combining these is not recommended for wider fronts.

### Accessories – general

Opening angle stop		
Opening angle	Colour	Part no.
92°	Dark grey	70T7553.09
110°	R7037	70T7553

Hinge boss cover cap		
Hinge	Colour	Part no.
CLIP top BLUMOTION	NI   ONS	70T7504
CLIP top	NI   ONS	70T7504
NI Nickel plated	ONS Onyx black	

Chipboard screws		
Ø (mm)	Length (mm)	Part no.
3.5	15	609.1500
3.5	17	609.1700

TIP-ON for doors		
Version	Spring	Part no.
Short version	○	956.1004
Extended version	○	956A1004
Extended version	●	956A1006
● With spring	○ Unsprung	

Hinge boss spacing		
Hinge	Spacing (mm)	Part no.
CLIP top BLUMOTION	1.5	70T3507.21
CLIP top	1.5	70T3507.21

Insertion ram		
Colour	Material	Part no.
Orange	Nylon	MZM.0040

155° hinge

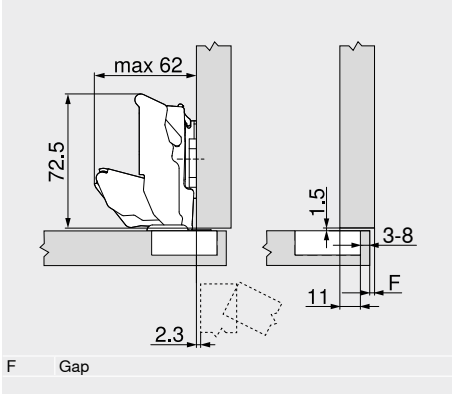
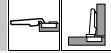
Webcode  
DQDHEM

Planning

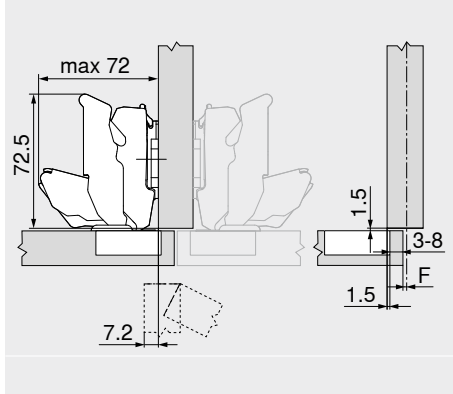
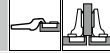
Hinge dimensions and gap calculation based on factory setting (mounting plate spacing = 0 or 9 mm)

Hinge and front protrusion at 90° opening angle

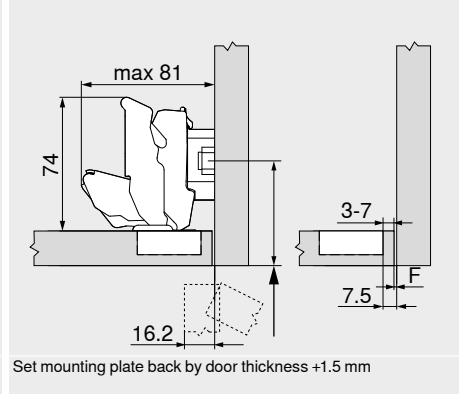
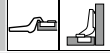
Overlay application  
0-protrusion



Dual application



Inset application



Drilling distance TB

MD	Front overlay FA (mm)																		
	5	6	7	8	9	10	11	12	13	14	15	16	17	18	19				
0																			
3																			
6																			
9																			
MD	Mounting plate spacing (mm)																		

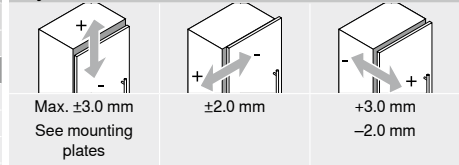
MD	Front overlay FA (mm)																		
	-4.5	-3.5	-2.5	-1.5	-0.5	0.5	1.5	2.5	3.5	4.5	5.5	6.5	7.5	8.5	9.5				
0																			
3																			
6																			
9																			
MD	Mounting plate spacing (mm)																		

MD	Front overlay FA (mm)				
	-4.5	-3.5	-2.5	-1.5	-0.5
0					
3					
6					
9					
MD	Mounting plate spacing (mm)				

Minimum gap F for fronts with a front radius (R = 1 mm) based on the factory setting

Drilling distance TB (mm)	Front thickness FD (mm)											
	20	21	22	23	24	25	26	27	28	29	30	31
3	0	0	0	0	0	0.5	0.5	1.0	2.0	2.0	3.0	4.5
4	0	0	0	0	0	0.5	1.0	2.0	2.0	2.5	4.0	
5	0	0	0	0	0	0.5	1.0	2.0	2.0	3.5		
6	0	0	0	0	0	1.0	1.5	2.0	3.0			
7	0	0	0	0	0	1.0	1.5	2.5				
8	0	0	0	0	0	1.0	1.5					

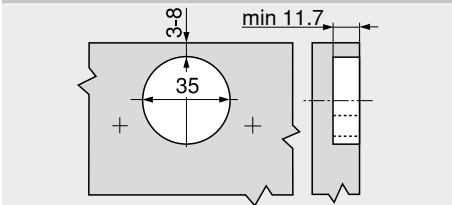
Adjustment



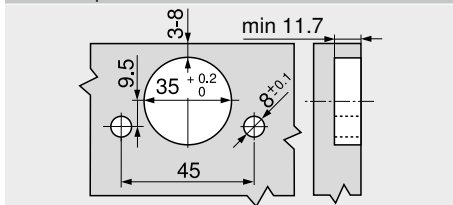
We recommend a trial application for an overlay application against a wall

- 110° Opening angle stop
- 92° Opening angle stop

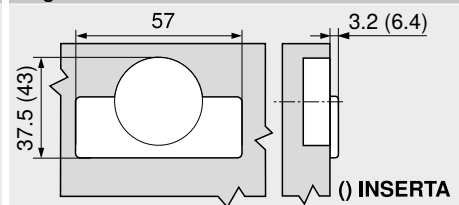
Screw-on



INSERTA | knock-in



Hinge boss dimensions



Page instructions

Overview – CLIP top BLUMOTION   CLIP top – hinges	75
Mounting plates	156
Accessories – hinge arm cover cap	164
Accessories – general	166
Overview – BLUMOTION for doors	171

Overview – TIP-ON for doors	185
Overview – assembly devices	561
More technical details	662

Assembly, removal and adjustment

185  
561  
662

Short-URL  
www.blum.com/a210



## 155° hinge

Webcode  
DQDHEM

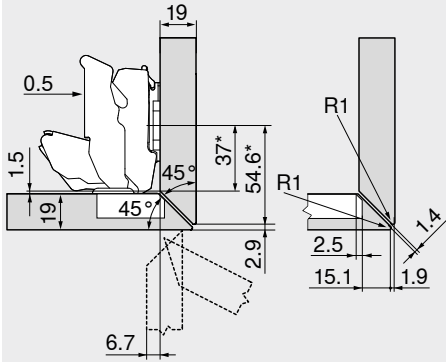
### Planning

#### Special application

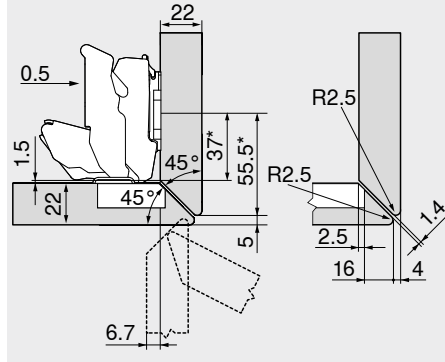
#### Mitred application – all 4 edges



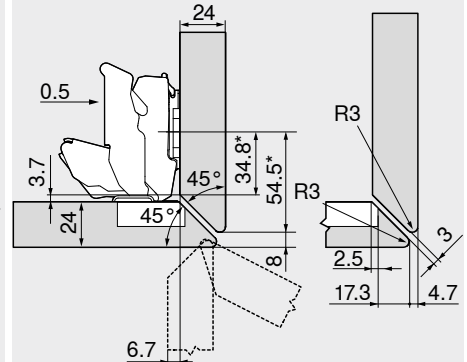
#### 19 mm



#### 22 mm



#### 24 mm



#### Hinge for dual applications

#### Standard mounting plates with 0 mm distance

\* Dimension for mounting plate with dimension A = 37 mm

#### Hinge for dual applications

#### Standard mounting plates with 0 mm distance

\* Dimension for mounting plate with dimension A = 37 mm

#### Hinge for dual applications

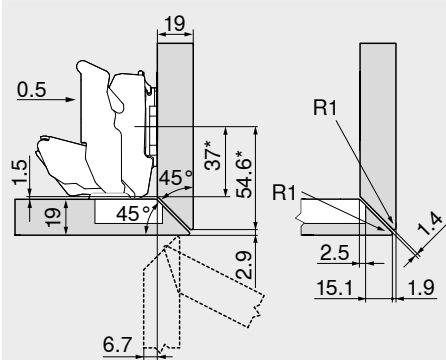
#### Standard mounting plates with 0 mm distance

\* Dimension for mounting plate with dimension A = 37 mm

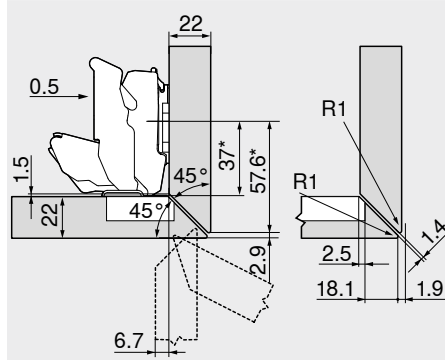
#### Mitred application – side



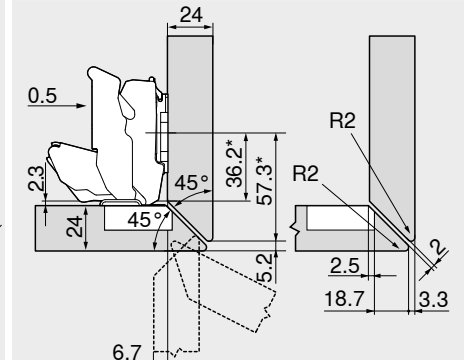
#### 19 mm



#### 22 mm



#### 24 mm



#### Hinge for dual applications

#### Standard mounting plates with 0 mm distance

\* Dimension for mounting plate with dimension A = 37 mm

#### Hinge for dual applications

#### Standard mounting plates with 0 mm distance

\* Dimension for mounting plate with dimension A = 37 mm

#### Hinge for dual applications

#### Standard mounting plates with 0 mm distance

\* Dimension for mounting plate with dimension A = 37 mm

155° hinge

Webcode  
DQDHEM

Planning

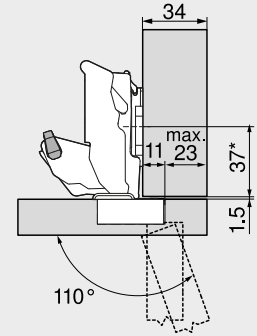
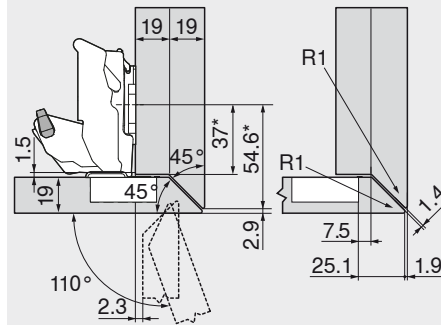
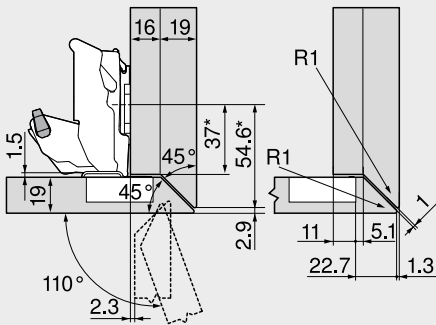
Special application

Mitred application – side, with large overlay

16/19 mm

19/19 mm

34 mm



Hinge for overlay applications

Standard mounting plates with 0 mm distance

\* Dimension for mounting plate with dimension A = 37 mm

Description	Angle	Part no.
Opening angle stop	110°	70T7553

Hinge for overlay applications

Standard mounting plates with 0 mm distance

\* Dimension for mounting plate with dimension A = 37 mm

Description	Angle	Part no.
Opening angle stop	110°	70T7553

Hinge for overlay applications

Standard mounting plates with 0 mm distance

\* Dimension for mounting plate with dimension A = 37 mm

Description	Angle	Part no.
Opening angle stop	110°	70T7553

You can select any front thickness for a free-standing cabinet.

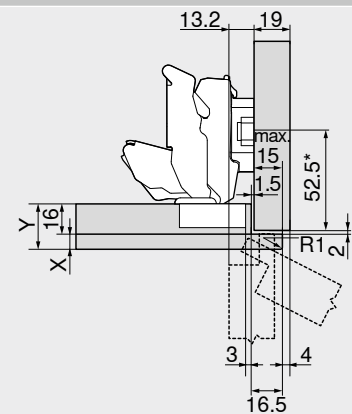
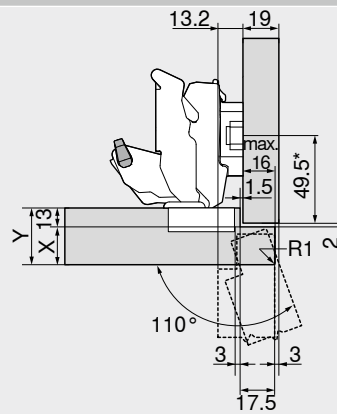
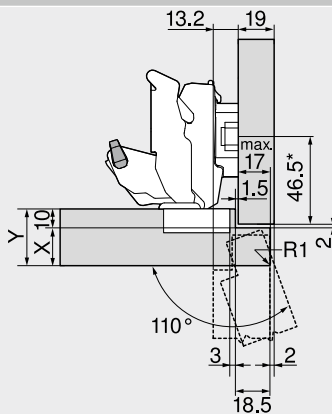
We recommend a trial application for a neighbouring front or an overlay application on the wall.

Notched applications

10 mm

13 mm

16 mm



Hinge for dual applications

Description	Spacing (mm)	Part no.
Mounting plate	6	175H9160

\* Dimension for mounting plate with dimension A = 37 mm

Description	Angle	Part no.
Opening angle stop	110°	70T7553

Cabinet situation	X max. (mm)	Y max. (mm)
	18	28
	20	30
	25	35

Hinge for dual applications

Description	Spacing (mm)	Part no.
Mounting plate	6	175H9160

\* Dimension for mounting plate with dimension A = 37 mm

Description	Angle	Part no.
Opening angle stop	110°	70T7553

Cabinet situation	X max. (mm)	Y max. (mm)
	16	29
	17	30
	17	30

Hinge for dual applications

Description	Spacing (mm)	Part no.
Mounting plate	6	175H9160

\* Dimension for mounting plate with dimension A = 37 mm

Description	Angle	Part no.
Opening angle stop	110°	70T7553

Cabinet situation	X max. (mm)	Y max. (mm)
	8	24
	8	24
	8	24