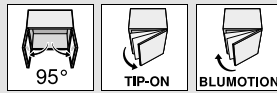


Hinge systems



- ▶ CLIP top BLUMOTION / CLIP top – hinges
- ▶▶ Aluminium frame application



Hinge systems

95° aluminium frame door hinge

Webcode
DQDMBY

CLIP top for 973A



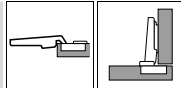
- Hinge for narrow alu frame doors
- **CLIP top** for 973A with closing mechanism (spring)
- **CLIP top** with or without closing mechanism (spring)
- 95° opening angle
- 3-dimensional front adjustment
- Convenient spiral-tech depth adjustment
- Tool-free door to cabinet assembly and removal
- Boss fixing screws are included

CLIP top



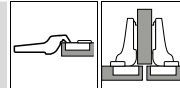
Order information

Overlay application



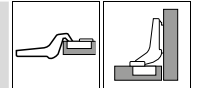
Boss		Screw-on	
Hinge	Spring	Part no.	
CLIP top for 973A	●	71T950AB	
CLIP top	●	71T950A	
CLIP top	○	70T950A.TL	
● With spring	○ Unsprung		

Dual application



Boss		Screw-on	
Hinge	Spring	Part no.	
CLIP top for 973A	●	71T960AB	
CLIP top	●	71T960A	
● With spring	○ Unsprung		

Inset application



Boss		Screw-on	
Hinge	Spring	Part no.	
CLIP top	●	71T970A	
● With spring	○ Unsprung		

a Accessories

BLUMOTION 973A	
Version	Part no.
Clip on	973A0500.01

a Accessories

BLUMOTION 973A	
Version	Part no.
Clip on	973A0600

a Accessories

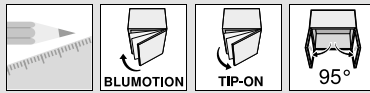
Hinge arm cover cap		
Print/Stamp	Logo	Part no.
Plain	–	70.1663
Stamped	Blum	70.1663.BP

Hinge arm cover cap		
Print/Stamp	Logo	Part no.
Plain	–	70.1553
Screen print	Blum	70.1553.BL

Hinge arm cover cap		
Print/Stamp	Logo	Part no.
Plain	–	70.1663
Stamped	Blum	70.1663.BP

a Accessories – general

TIP-ON for doors		
Version	Spring	Part no.
Short version	○	956.1004
Extended version	○	956A1004
Extended version	●	956A1006
● With spring	○ Unsprung	



95° aluminium frame door hinge

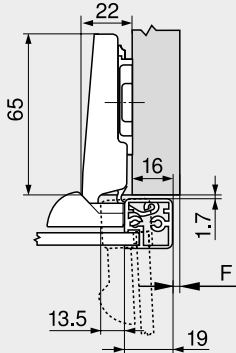
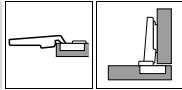
Webcode
DQDMBY

Planning

Hinge dimensions and gap calculation based on factory setting (mounting plate spacing = 0 mm)

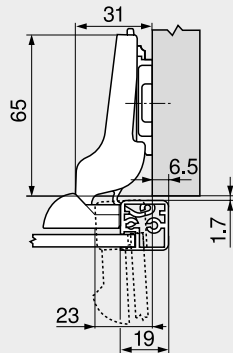
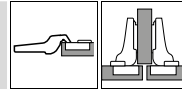
Hinge and front protrusion at full opening angle

Overlay application

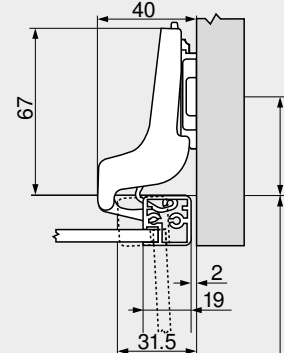
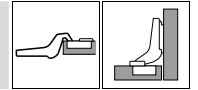


F Gap

Dual application



Inset application



Set mounting plate back by frame width +1.5 mm

Minimum gap (F) for aluminium frame fronts (R = 1 mm) based on the factory setting

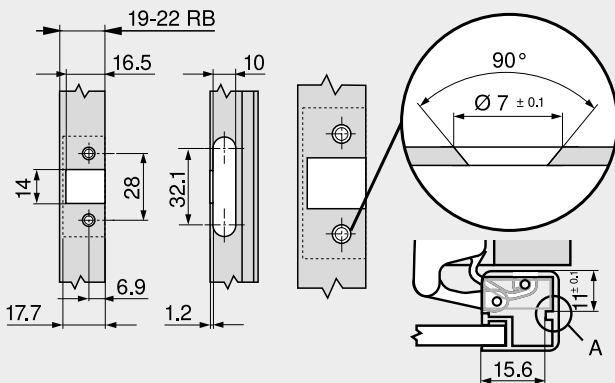
Side frame width RB (mm)	Frame thickness RS (mm)											
	18	19	20	21	22	24	25	26	27	28	30	32
18	0.2	0.3	0.4	0.6	0.7	1.2	Δ	Δ	Δ	Δ	Δ	Δ
19	0.2	0.3	0.4	0.6	0.7	1.2	Δ	Δ	Δ	Δ	Δ	Δ
20	0.2	0.3	0.4	0.5	0.7	1.1	Δ	Δ	Δ	Δ	Δ	Δ
21	0.2	0.3	0.4	0.5	0.7	1.0	Δ	Δ	Δ	Δ	Δ	Δ
22	0.2	0.3	0.4	0.5	0.7	1.1	Δ	Δ	Δ	Δ	Δ	Δ
Additional for +2 mm side adjustment												
	+0.1	+0.2	+0.3	+0.3	+0.3	+0.4						

Δ In these cases a trial is recommended

Adjustment

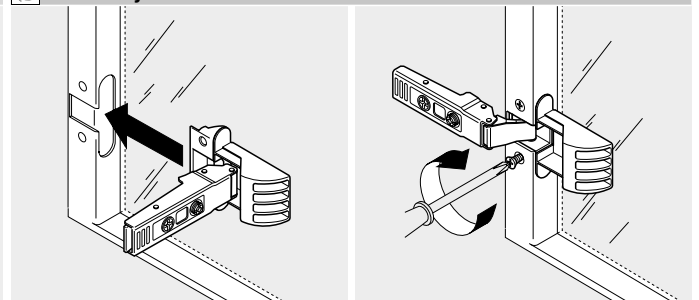
Max. ±3.0 mm See mounting plates	±2.0 mm	+3.0 mm -2.0 mm

Screw-on



RB Side frame width
A The hinge boss should be able to support itself in the routing

Assembly



Page instructions

Overview – CLIP top BLUMOTION / CLIP top – hinges	107	Overview – TIP-ON for doors	653
Mounting plates	186	Assembly, removal and adjustment	196
Accessories – hinge arm cover cap	193	Overview – assembly devices	683
Accessories – general	194	More technical details	774
Overview – BLUMOTION for doors	539		