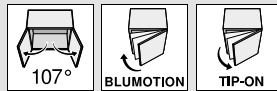


Hinge systems



- ▶ CLIP top BLUMOTION / CLIP top – hinges
- ▶▶ Standard application



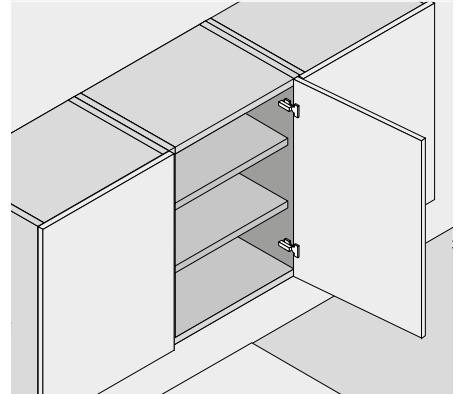
107° hinge

Webcode
DQDFZY



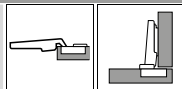
- For front thicknesses starting from 15 mm
- CLIP top BLUMOTION with integrated BLUMOTION (with deactivation option)
- CLIP top with or without closing mechanism (spring)
- All metal hinge, nickel plated
- 107° opening angle
- 3-dimensional front adjustment
- Convenient spiral-tech depth adjustment
- Tool-free door to cabinet assembly and removal
- With INSERTA tool-free hinge to door assembly

Application



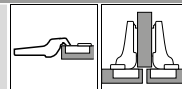
Order information

Overlay application



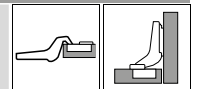
Boss Hinge		INSERTA Spring		Part no.
<input checked="" type="checkbox"/>	CLIP top	<input checked="" type="checkbox"/>	☎	75T1590B
<input checked="" type="checkbox"/>	CLIP top	<input type="checkbox"/>	☎	74T1590BTL
<input type="checkbox"/>	With spring	<input type="checkbox"/>	o	Unsprung

Dual application



Boss Hinge		INSERTA Spring		Part no.
<input checked="" type="checkbox"/>	CLIP top	<input checked="" type="checkbox"/>	☎	75T1690B
<input checked="" type="checkbox"/>	CLIP top	<input type="checkbox"/>	☎	74T1690BTL
<input type="checkbox"/>	With spring	<input type="checkbox"/>	o	Unsprung

Inset application



Boss Hinge		INSERTA Spring		Part no.
<input checked="" type="checkbox"/>	CLIP top	<input checked="" type="checkbox"/>	☎	75T1790B
<input checked="" type="checkbox"/>	CLIP top	<input type="checkbox"/>	☎	74T1790BTL
<input type="checkbox"/>	With spring	<input type="checkbox"/>	o	Unsprung

Boss Hinge		Screw-on Spring		Part no.
<input checked="" type="checkbox"/>	CLIP top BLUMOTION	<input checked="" type="checkbox"/>	☎	75B1550
<input checked="" type="checkbox"/>	CLIP top	<input checked="" type="checkbox"/>	☎	75T1550
<input checked="" type="checkbox"/>	CLIP top	<input type="checkbox"/>	☎	74T1550.TL

Boss Hinge		Screw-on Spring		Part no.
<input checked="" type="checkbox"/>	CLIP top BLUMOTION	<input checked="" type="checkbox"/>	☎	75B1650
<input checked="" type="checkbox"/>	CLIP top	<input checked="" type="checkbox"/>	☎	75T1650
<input checked="" type="checkbox"/>	CLIP top	<input type="checkbox"/>	☎	74T1650.TL

Boss Hinge		Screw-on Spring		Part no.
<input checked="" type="checkbox"/>	CLIP top BLUMOTION	<input checked="" type="checkbox"/>	☎	75B1750
<input checked="" type="checkbox"/>	CLIP top	<input checked="" type="checkbox"/>	☎	75T1750
<input checked="" type="checkbox"/>	CLIP top	<input type="checkbox"/>	☎	74T1750.TL

Boss Hinge		Knock-in Spring		Part no.
<input checked="" type="checkbox"/>	CLIP top BLUMOTION	<input checked="" type="checkbox"/>	☎	75B1580
<input checked="" type="checkbox"/>	CLIP top	<input checked="" type="checkbox"/>	☎	75T1580

Boss Hinge		Knock-in Spring		Part no.
<input checked="" type="checkbox"/>	CLIP top BLUMOTION	<input checked="" type="checkbox"/>	☎	75B1680
<input checked="" type="checkbox"/>	CLIP top	<input checked="" type="checkbox"/>	☎	75T1680

Boss Hinge		Knock-in Spring		Part no.
<input checked="" type="checkbox"/>	CLIP top BLUMOTION	<input checked="" type="checkbox"/>	☎	75B1780
<input checked="" type="checkbox"/>	CLIP top	<input checked="" type="checkbox"/>	☎	75T1780

a Accessories		
Hinge arm cover cap		
Print/Stamp	Logo	Part no.
Plain	–	70.1503
Stamped	Blum	70.1503.BP

a Accessories		
Hinge arm cover cap		
Print/Stamp	Logo	Part no.
Plain	–	70.1663
Stamped	Blum	70.1663.BP

a Accessories		
Hinge arm cover cap		
Print/Stamp	Logo	Part no.
Plain	–	70.1663
Stamped	Blum	70.1663.BP

Note

A trial application is recommended when combining CLIP top BLUMOTION hinges and CLIP top hinges with springs on small, light fronts up to 300 mm wide. Combining these is not recommended for wider fronts.

a Accessories – general

Opening angle stop		Part no.
Opening angle		74.1103
86°	☎	

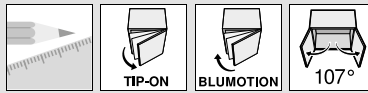
Hinge boss cover cap		Part no.
Hinge		70T3504
CLIP top BLUMOTION		70T1504
CLIP top		

Chipboard screws		
Ø (mm)	Length (mm)	Part no.
3.5	15	609.1500
3.5	17	609.1700

TIP-ON for doors		
Version	Spring	Part no.
Short version	<input type="checkbox"/>	956.1004
Extended version	<input type="checkbox"/>	956A1004
Extended version	<input checked="" type="checkbox"/>	956A1006
<input type="checkbox"/>	With spring	<input type="checkbox"/>
<input type="checkbox"/>	Unsprung	

Hinge boss spacing		
Hinge	Spacing (mm)	Part no.
CLIP top BLUMOTION	1.5	70T3507.21

Insertion ram		
Material	Colour	Part no.
Nylon	Orange	MZM.0040



107° hinge

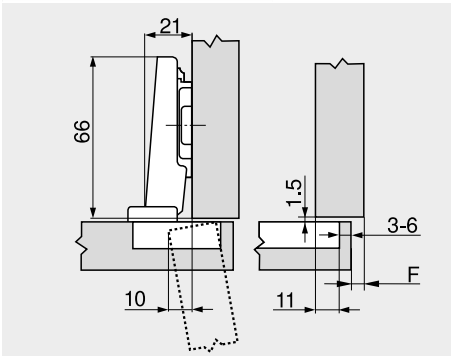
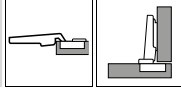
Webcode
DQDFZY

Planning

Hinge dimensions and gap calculation based on factory setting (mounting plate spacing = 0 mm)

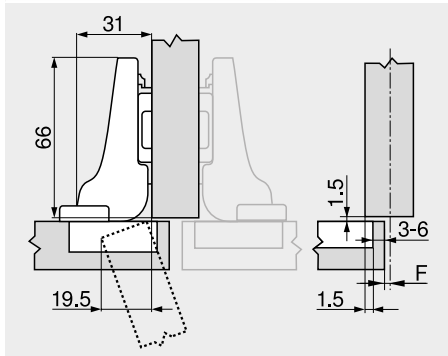
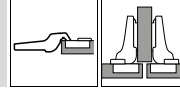
Hinge and front protrusion at full opening angle

Overlay application

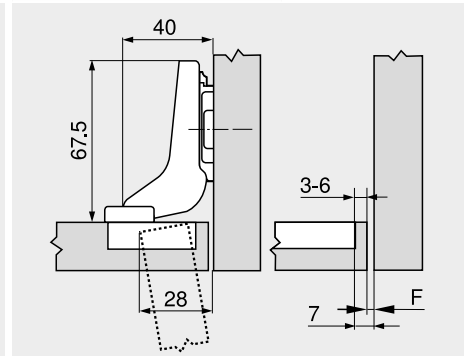
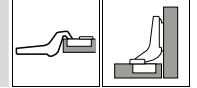


F Gap

Dual application



Inset application



Set mounting plate back by door thickness +1.5 mm

Drilling distance TB

MD	Front overlay FA (mm)																
	5	6	7	8	9	10	11	12	13	14	15	16	17				
0																	
3								3	4	5	6						
6				3	4	5	6										
9	3	4	5	6													
MD	Mounting plate spacing (mm)																

MD	Front overlay FA (mm)												
	-4.5	-3.5	-2.5	-1.5	-0.5	0.5	1.5	2.5	3.5	4.5	5.5	6.5	7.5
0													
3								3	4	5	6		
6				3	4	5	6						
9	3	4	5	6									
MD	Mounting plate spacing (mm)												

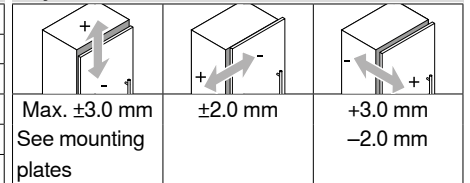
MD	Front overlay FA (mm)						
				-4	-3	-2	-1
0							
3				3	4	5	6
6							
9							
MD	Mounting plate spacing (mm)						

Minimum gap (F) for fronts with a front radius (R = 1 mm) based on the factory setting

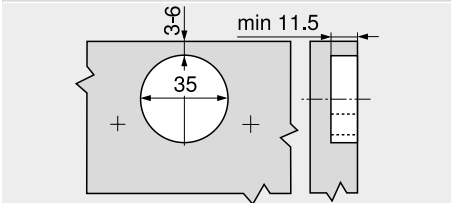
Drilling distance TB (mm)	Front thickness FD (mm)											
	15	16	18	19	20	21	22	24	26	28	30	32
3	0.4	0.5	1.0	1.3	1.6	2.1	2.7	4.3	Δ	Δ	Δ	Δ
4	0.4	0.5	0.9	1.2	1.5	2.0	2.5	3.9	Δ	Δ	Δ	Δ
5	0.3	0.5	0.9	1.2	1.4	1.8	2.3	3.6	Δ	Δ	Δ	Δ
6	0.3	0.5	0.8	1.1	1.4	1.7	2.2	3.3	Δ	Δ	Δ	Δ
Additional for +2 mm side adjustment												
	+0.1	+0.1	+0.2	+0.2	+0.3	+0.3	+0.3	+0.3				

Δ In these cases a trial is recommended

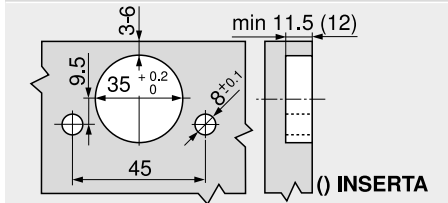
Adjustment



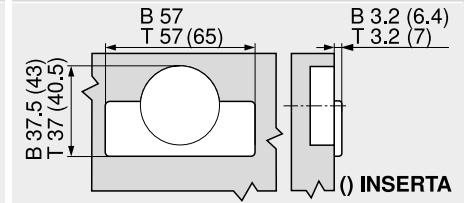
Screw-on



INSERTA/knock-in



Hinge boss dimensions



B	CLIP top BLUMOTION
T	CLIP top

Page instructions

Overview – CLIP top BLUMOTION / CLIP top – hinges	107	Overview – TIP-ON for doors	653
Mounting plates	186	Assembly, removal and adjustment	196
Accessories – hinge arm cover cap	193	Overview – assembly devices	683
Accessories – general	194	More technical details	774
Overview – BLUMOTION for doors	539		