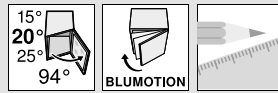




- ▶ CLIP top BLUMOTION / CLIP top – hinges
- ▶▶ Angled application – frame door



+20° angled hinge with mini boss



- Hinge for small doors and doors with narrow frames
- CLIP top with closing mechanism (spring)
- All metal hinge, nickel plated
- +20° angled hinge
- 94° opening angle
- 3-dimensional front adjustment
- Convenient spiral-tech depth adjustment
- Tool-free door to cabinet assembly and removal

Page instructions				
Angled application	Angle			
	15°	20°	25°	
	N° 94	N° 95	N° 96	
	182	183	183	
	N° 86	N° 87	N° 88	
	182	183	183	
	N° 79	N° 80	N° 81	
	182	183	183	
Overview – angled applications				148

Order information

Boss	Screw-on	Part no.
<input checked="" type="checkbox"/> Hinge	<input type="checkbox"/> Spring	79A0555.T
<input type="checkbox"/> With spring	<input type="checkbox"/> Unsprung	

a Accessories		
	<input type="checkbox"/>	BLUMOTION 970A
Version	Spring	Part no.
For drilling	<input type="checkbox"/>	970A1002

Hinge arm cover cap		
<input type="checkbox"/>	<input type="checkbox"/>	
Print/Stamp	Logo	Part no.
Plain	–	70.1553
Screen print	Blum	70.1553.BL

TIP-ON for doors		
<input type="checkbox"/>	<input type="checkbox"/>	
Version	Spring	Part no.
Extended version	<input checked="" type="checkbox"/>	956A1006
<input type="checkbox"/> With spring	<input type="checkbox"/> Unsprung	

Chipboard screws		
<input type="checkbox"/>	<input type="checkbox"/>	
Ø (mm)	Length (mm)	Part no.
3.5	15	609.1500
3.5	17	609.1700

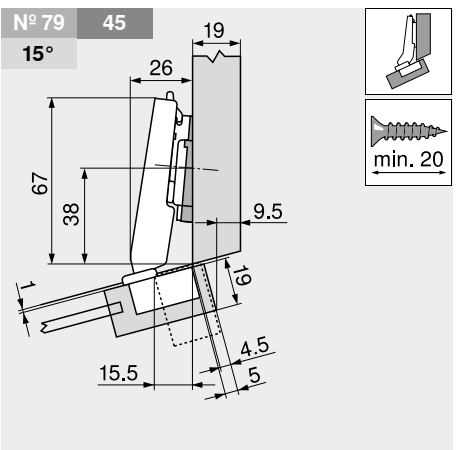
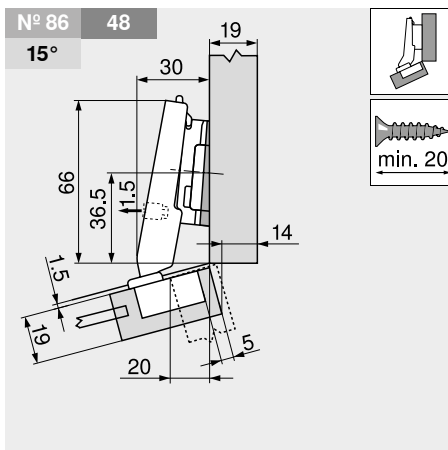
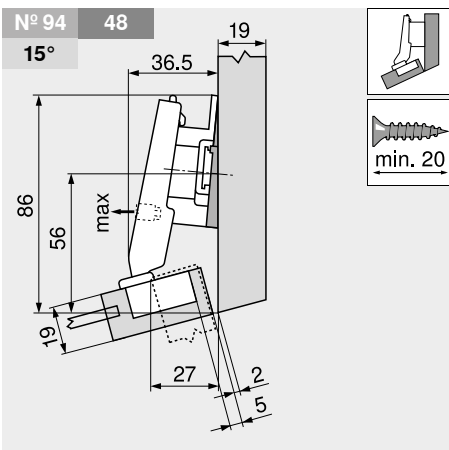
Page instructions

Overview – CLIP top BLUMOTION / CLIP top – hinges	107	Accessories – general	194	More technical details	774
Mounting plates	186	Overview – BLUMOTION for doors	539		
Accessories – hinge arm cover cap	193	Assembly, removal and adjustment	196		
		Overview – assembly devices	683		

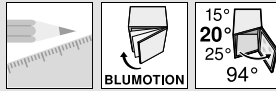
Planning

Note

These dimensions are based on a 19 mm thick door and cabinet. The application changes in cases of deviation. In these cases a trial is recommended. Some applications require the mounting plate to be moved from the standard fixing positions.

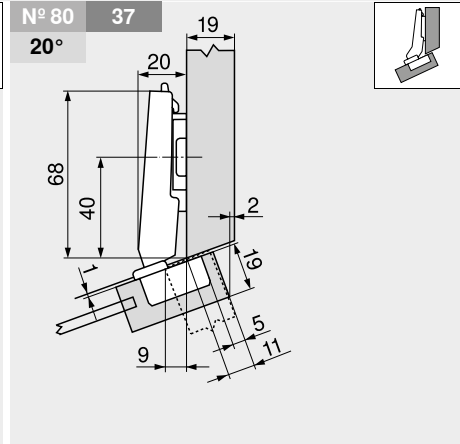
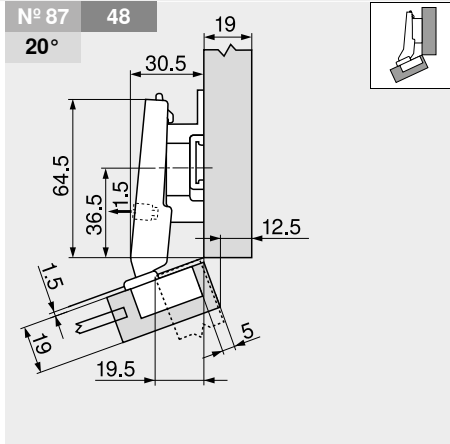
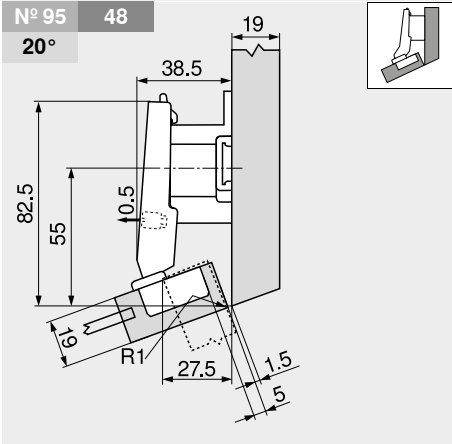


Description	Spacing (mm)	Part no.	Description	Spacing (mm)	Part no.	Description	Spacing (mm)	Part no.
Mounting plate	9	175H7190	Mounting plate	3	173H7130	Mounting plate	0	173H7100
Angled spacer	-5°	171A5500	Angled spacer	-5°	171A5500	Angled spacer	-5°	171A5500



+20° angled hinge with mini boss

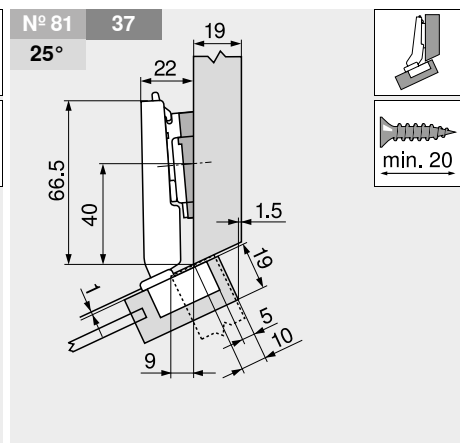
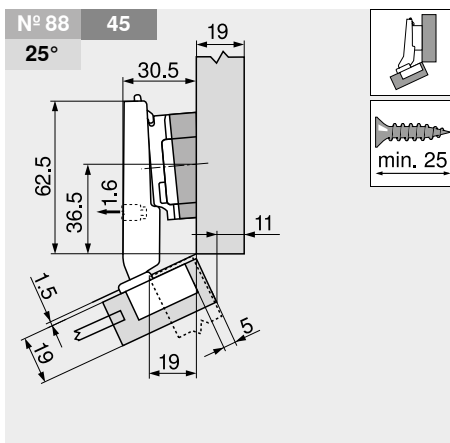
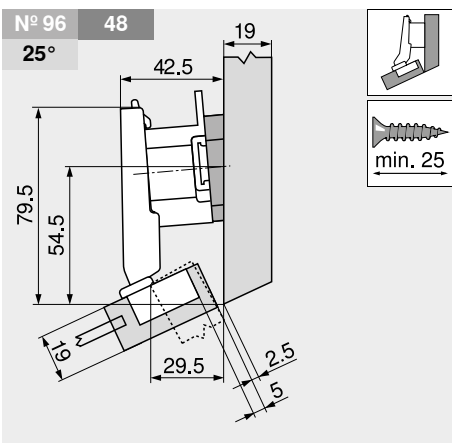
Planning



Description	Spacing (mm)	Part no.
Mounting plate	18	175H7190.22

Description	Spacing (mm)	Part no.
Mounting plate	9	175H7190

Description	Spacing (mm)	Part no.
Mounting plate	0	173H7100

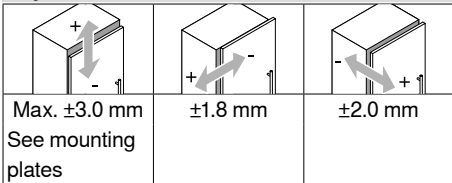


Description	Spacing (mm)	Part no.
Mounting plate	18	175H7190.22
Angled spacer	+5°	171A5040

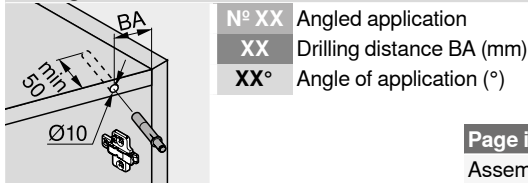
Description	Spacing (mm)	Part no.
Mounting plate	3	173H7130
Angled spacer	+5°	171A5070

Description	Spacing (mm)	Part no.
Mounting plate	0	173H7100
Angled spacer	+5°	171A5010

Adjustment



Drilling distance BA – BLUMOTION 970A1002

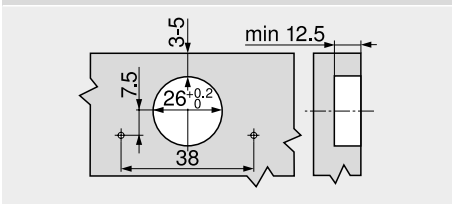


Page instructions

Assembly, removal and adjustment

552

Screw-on



Hinge boss dimensions

