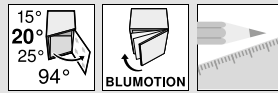


Hinge systems



- ▶ CLIP top BLUMOTION / CLIP top – hinges
- ▶▶ Angled application – glass door



Hinge systems

+20° angled hinge for glass doors



- Glass door hinge
- For glass thickness 4.5–7 mm
- CLIP top with closing mechanism (spring)
- +20° angled hinge
- 94° opening angle
- 3-dimensional front adjustment
- Convenient spiral-tech depth adjustment
- Tool-free door to cabinet assembly and removal
- Boss fixing screws are included

Page instructions			
Angled application	Angle		
	15°	20°	25°
	N° 71	N° 72	N° 73
	176	176	177
	N° 64	N° 65	N° 66
	176	177	177
Overview – angled applications			148

Order information

Boss Hinge	Screw-on Spring	Part no.
CLIP top	●	79A4105.T
● With spring	○ Unsprung	

Accessories

Version	Part no.
For drilling	970A1002

Version	Spring	Part no.
Extended version	●	956A1006
● With spring	○ Unsprung	

Print/Stamp	Logo	Part no.
Plain	–	70.1553
Screen print	Blum	70.1553.BL

Colour	Part no.
S G CR NI-M	84.4120
S Black	G Gold plated
CR Chrome plated	NI-M Matt nickel

Colour	Part no.
S G CR NI-M	84.4140

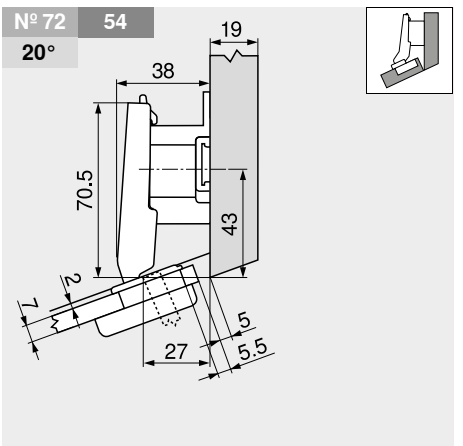
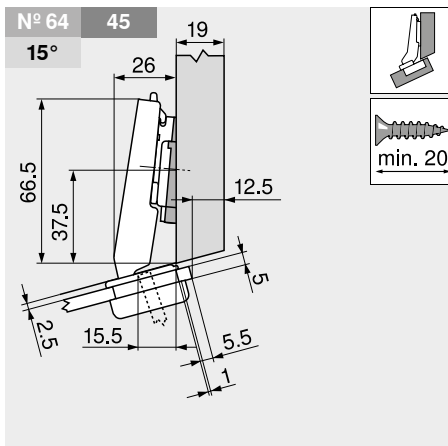
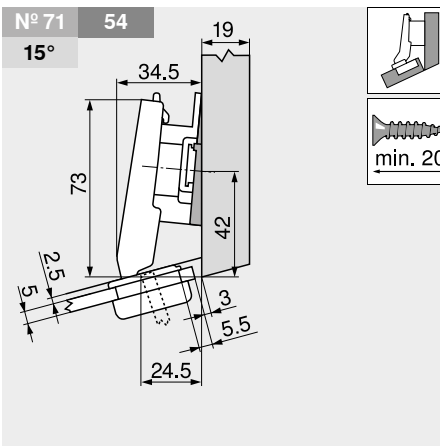
Page instructions

Overview – CLIP top BLUMOTION / CLIP top – hinges	107	Accessories – general	194	More technical details	774
Mounting plates	186	Overview – BLUMOTION for doors	539		
Accessories – hinge arm cover cap	193	Assembly, removal and adjustment	196		
		Overview – assembly devices	683		

Planning

Note

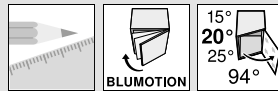
These dimensions are based on a 19 mm thick cabinet. The application changes in cases of deviation. In these cases a trial is recommended. Some applications require the mounting plate to be moved from the standard fixing positions.



Description	Spacing (mm)	Part no.
Mounting plate	9	175H7190
Angled spacer	-5°	171A5500

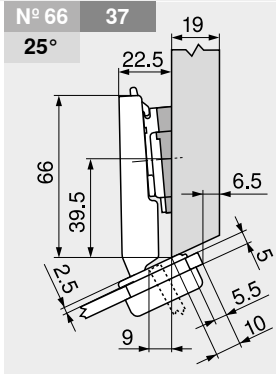
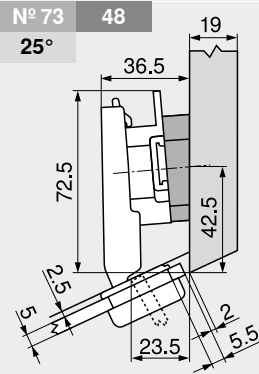
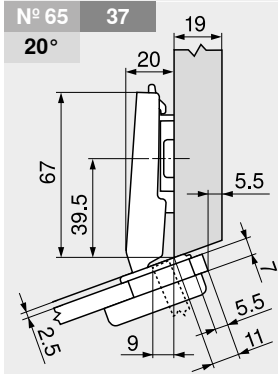
Description	Spacing (mm)	Part no.
Mounting plate	0	173H7100
Angled spacer	-5°	171A5500

Description	Spacing (mm)	Part no.
Mounting plate	18	175H7190.22



+20° angled hinge for glass doors

Planning

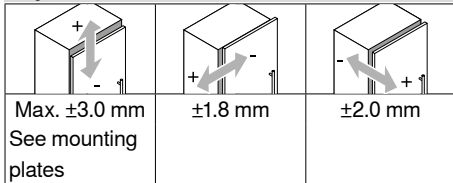


Description	Spacing (mm)	Part no.
Mounting plate	0	173H7100

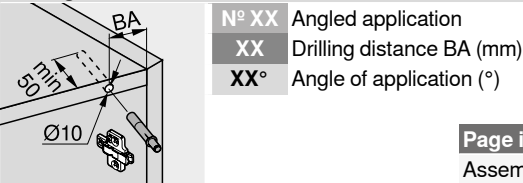
Description	Spacing (mm)	Part no.
Mounting plate	9	175H7190
Angled spacer	+5°	171A5070

Description	Spacing (mm)	Part no.
Mounting plate	0	173H7100
Angled spacer	+5°	171A5010

Adjustment



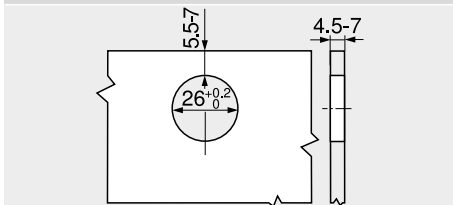
Drilling distance BA – BLUMOTION 970A1002



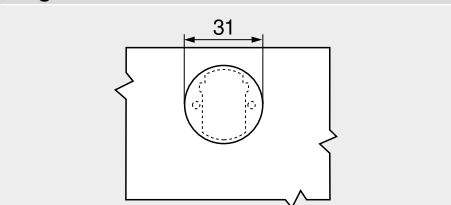
Page instructions

Assembly, removal and adjustment	552
----------------------------------	-----

Screw-on



Hinge boss dimensions



Hinge boss cover cap

