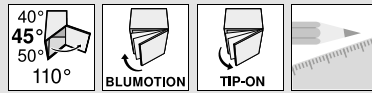


Hinge systems



- ▶ CLIP top BLUMOTION / CLIP top – hinges
- ▶▶ Angled application – standard



Hinge systems

+45° II – angled hinge overlay



- For corner cabinets with flush fronts
- CLIP top BLUMOTION with integrated BLUMOTION (with deactivation option)
- CLIP top without closing mechanism (spring)
- All metal hinge, nickel plated
- +45° II angled hinge
- 110° opening angle
- 3-dimensional front adjustment
- Convenient spiral-tech depth adjustment
- Tool-free door to cabinet assembly and removal
- With INSERTA tool-free hinge to door assembly

Webcode
DQDRYM

Page instructions			
Angled application	Angle		
	40°	45°	50°
	N° 23 151	N° 24 153	N° 25 151
	N° 108 154	N° 53 151	N° 54 151
	N° 8 154	N° 9 153	N° 10 153
	N° 43 154	N° 44 155	N° 45 155
	N° 109 155	N° 60 151	N° 61 151
Overview – angled applications			148

Order information

Boss Hinge	INSERTA Spring	Part no.
CLIP top BLUMOTION	●	79B3598
	○ Unsprung	

Boss Hinge	Screw-on Spring	Part no.
CLIP top BLUMOTION	●	79B3558
CLIP top	○	78T5550

a Accessories		
Hinge arm cover cap		
Print/Stamp	Logo	Part no.
Plain	–	70.1503
Stamped	Blum	70.1503.BP

Hinge boss cover cap	
Hinge	Part no.
CLIP top BLUMOTION	70T3504
CLIP top	70T1504

TIP-ON for doors		
Version	Spring	Part no.
Short version	○	956.1004
Extended version	○	956A1004
Extended version	●	956A1006
	○ Unsprung	

Chipboard screws		
Ø (mm)	Length (mm)	Part no.
3.5	15	609.1500
3.5	17	609.1700

Note

CLIP top BLUMOTION and CLIP top hinges cannot be combined with each other on a front.

Page instructions

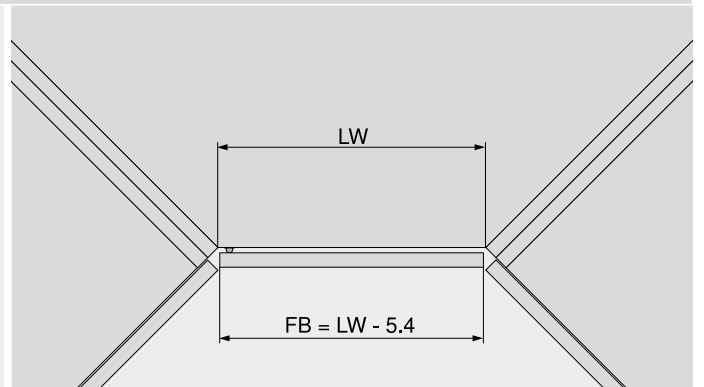
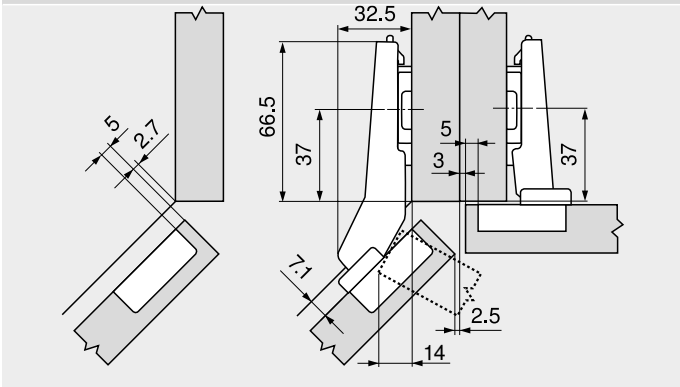
Overview – CLIP top BLUMOTION / CLIP top – hinges	107	Accessories – general	194	More technical details	774
Mounting plates	186	Overview – TIP-ON for doors	653		
Accessories – hinge arm cover cap	193	Assembly, removal and adjustment	196		
		Overview – assembly devices	683		

Planning

Note

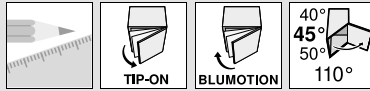
These dimensions are based on a 19 mm thick door and cabinet. The application changes in cases of deviation. In these cases a trial is recommended. Some applications require the mounting plate to be moved from the standard fixing positions.

Corner cabinet



FB	Front width
LW	Internal cabinet width

CLIP top BLUMOTION / CLIP top – hinges ◀
 Angled application – standard ◀◀



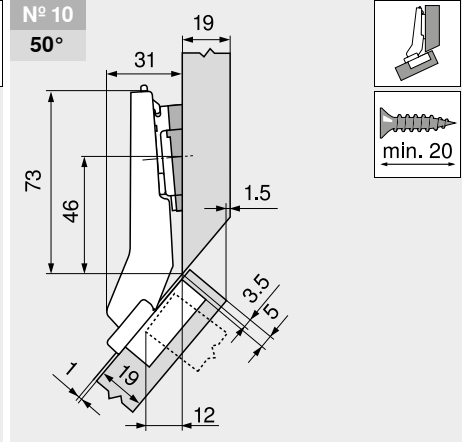
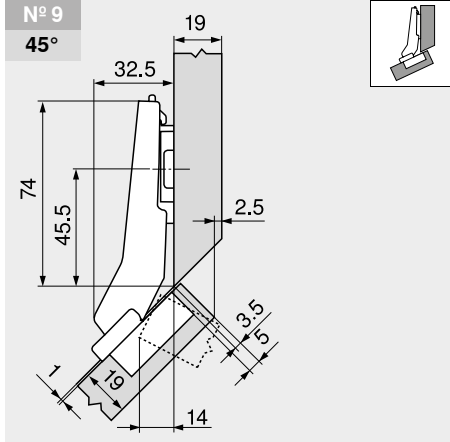
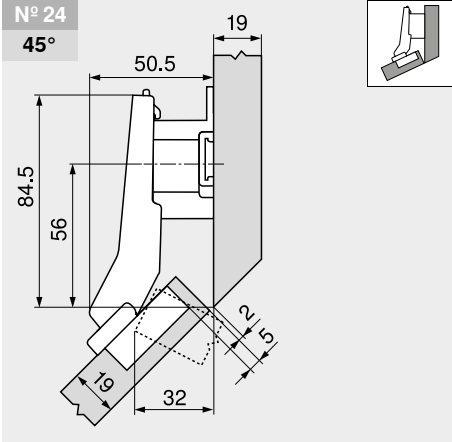
Hinge systems

Hinge systems

+45° II – angled hinge overlay

Webcode
 DQDRYM

Planning

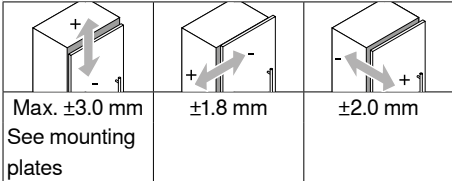


Description	Spacing (mm)	Part no.
Mounting plate	18	175H7190.22

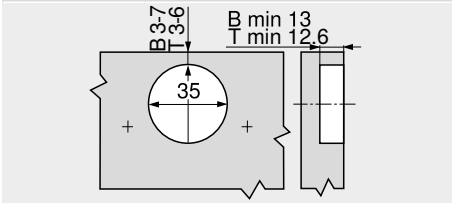
Description	Spacing (mm)	Part no.
Mounting plate	0	173H7100

Description	Spacing (mm)	Part no.
Mounting plate	0	173H7100
Angled spacer	+5°	171A5010

Adjustment

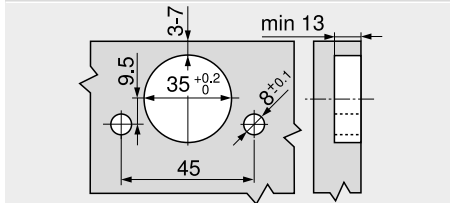


Screw-on



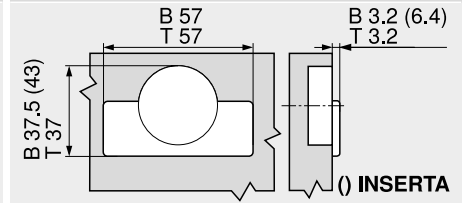
B	CLIP top BLUMOTION
T	CLIP top

INSERTA



B	CLIP top BLUMOTION
T	CLIP top

Hinge boss dimensions



B	CLIP top BLUMOTION
T	CLIP top