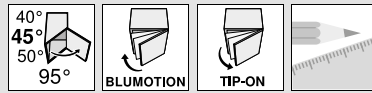


# Hinge systems



- ▶ CLIP top BLUMOTION / CLIP top – hinges
- ▶▶ Angled application – standard



Hinge systems

## +45° I – angled hinge half overlay



- For corner cabinets with set back fronts
- CLIP top BLUMOTION with integrated BLUMOTION (with deactivation option)
- CLIP top without closing mechanism (spring)
- All metal hinge, nickel plated
- +45° I angled hinge
- 95° opening angle
- 3-dimensional front adjustment
- Convenient spiral-tech depth adjustment
- Tool-free door to cabinet assembly and removal
- With INSERTA tool-free hinge to door assembly

Webcode  
DQDR9A

Page instructions			
Angled application	Angle		
	40°	45°	50°
	N° 23	N° 24	N° 25
	151	153	151
	N° 108	N° 53	N° 54
	154	151	151
	N° 8	N° 9	N° 10
	154	153	153
	N° 43	N° 44	N° 45
	154	155	155
	N° 109	N° 60	N° 61
	155	151	151
Overview – angled applications			148

### Order information

Boss Hinge	INSERTA Spring	Part no.
CLIP top BLUMOTION	●	79B9698
● With spring	○ Unsprung	

Boss Hinge	Screw-on Spring	Part no.
CLIP top BLUMOTION	●	79B9658
CLIP top	○	78A9658.T

a Accessories		
Hinge arm cover cap		
Print/Stamp	Logo	Part no.
Plain	–	70.1553
Screen print	Blum	70.1553.BL

Hinge boss cover cap	
Hinge	Part no.
CLIP top BLUMOTION	70T3504
CLIP top	70T1504

TIP-ON for doors		
Version	Spring	Part no.
Short version	○	956.1004
Extended version	○	956A1004
Extended version	●	956A1006
● With spring	○ Unsprung	

Chipboard screws		
Ø (mm)	Length (mm)	Part no.
3.5	15	609.1500
3.5	17	609.1700

### Note

CLIP top BLUMOTION and CLIP top hinges cannot be combined with each other on a front.

### Page instructions

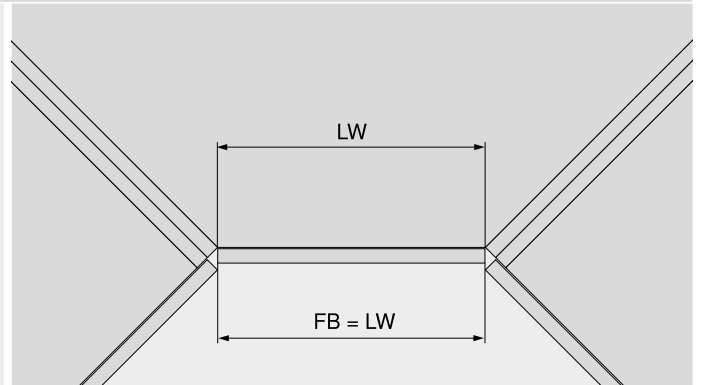
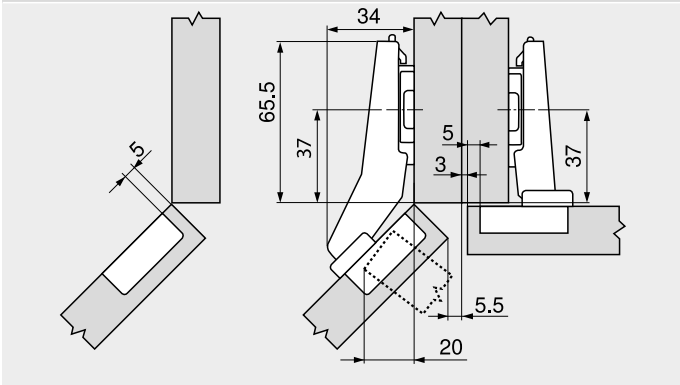
Overview – CLIP top BLUMOTION / CLIP top – hinges	107	Accessories – general	194	More technical details	774
Mounting plates	186	Overview – TIP-ON for doors	653		
Accessories – hinge arm cover cap	193	Assembly, removal and adjustment	196		
		Overview – assembly devices	683		

### Planning

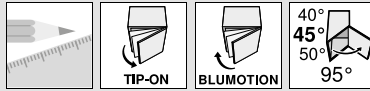
#### Note

These dimensions are based on a 19 mm thick door and cabinet. The application changes in cases of deviation. In these cases a trial is recommended. Some applications require the mounting plate to be moved from the standard fixing positions.

### Corner cabinet



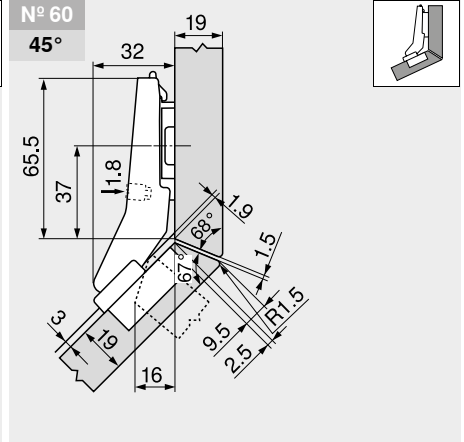
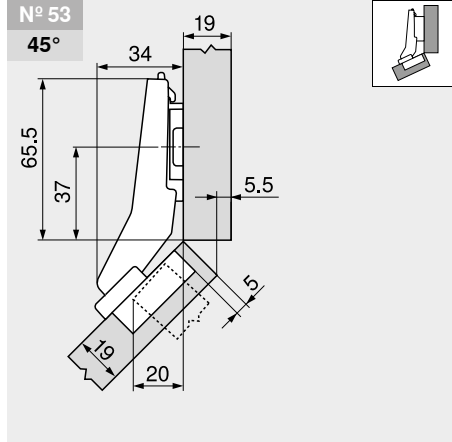
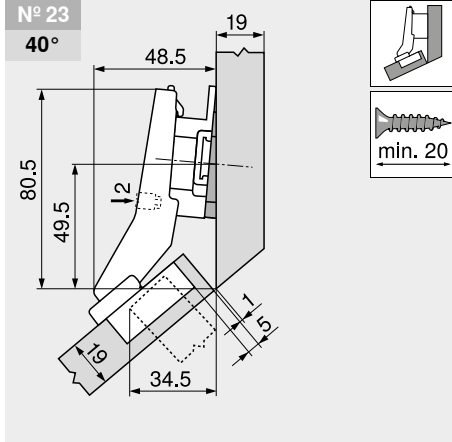
FB	Front width
LW	Internal cabinet width



+45° I – angled hinge half overlay

Webcode  
 DQDR9A

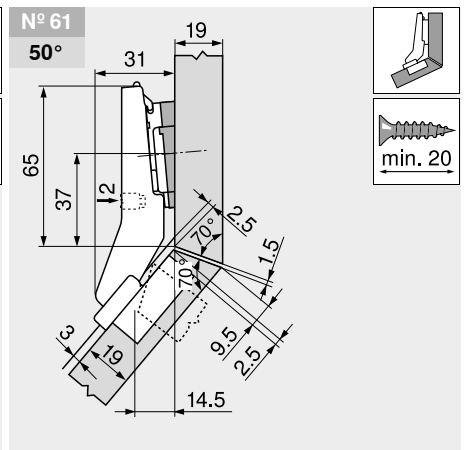
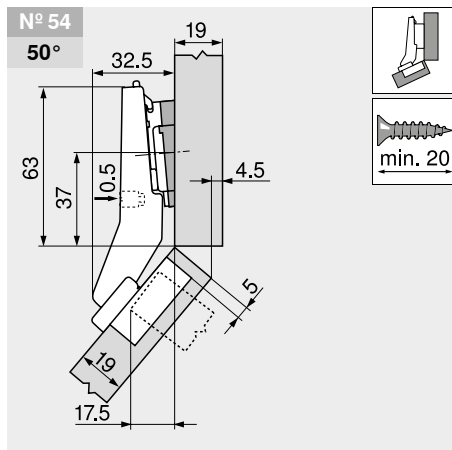
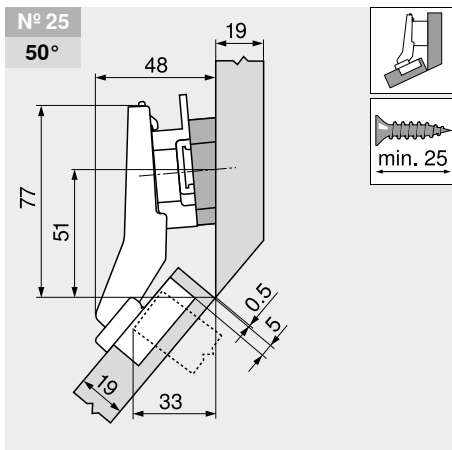
Planning



Description	Spacing (mm)	Part no.
Mounting plate	9	175H7190
Angled spacer	-5°	171A5500

Description	Spacing (mm)	Part no.
Mounting plate	0	173H7100

Description	Spacing (mm)	Part no.
Mounting plate	0	173H7100



Description	Spacing (mm)	Part no.
Mounting plate	9	175H7190
Angled spacer	+5°	171A5070

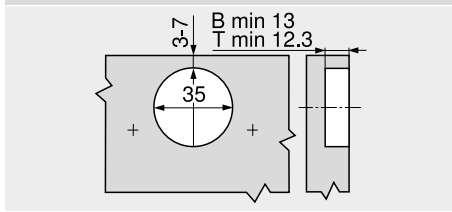
Description	Spacing (mm)	Part no.
Mounting plate	0	173H7100
Angled spacer	+5°	171A5010

Description	Spacing (mm)	Part no.
Mounting plate	0	173H7100
Angled spacer	+5°	171A5010

Adjustment

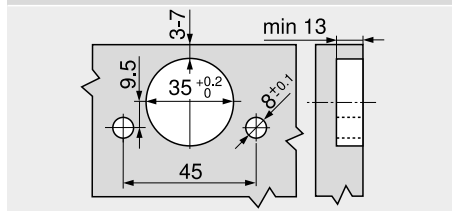
Max. ±3.0 mm See mounting plates	±1.8 mm	±2.0 mm

Screw-on



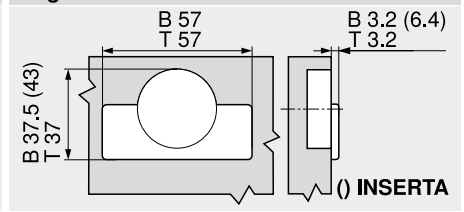
B	CLIP top BLUMOTION
T	CLIP top

INSERTA



B	CLIP top BLUMOTION
T	CLIP top

Hinge boss dimensions



B	CLIP top BLUMOTION
T	CLIP top