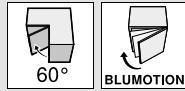


Hinge systems

blum

- ▶ CLIP top BLUMOTION / CLIP top – hinges
- ▶▶ Corner cabinet solution



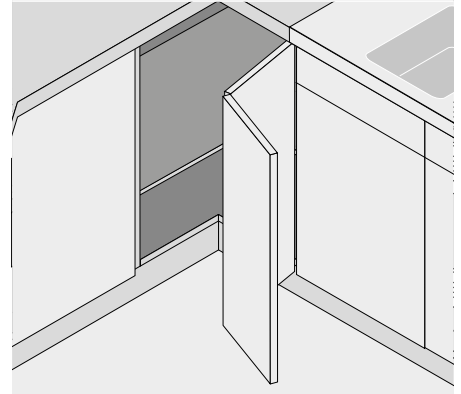
Corner cabinet bi-fold hinge

Webcode
DQDQJY



- Special hinge for corner cabinets with bi-fold doors
- For door thicknesses from 15–23 mm, factory setting for 19 mm door thickness
- For use in combination with 155° or 170° hinge
- CLIP top with closing mechanism (spring)
- All metal hinge, nickel plated
- 60° opening angle
- 3-dimensional front adjustment
- Easy gap and depth adjustment using the spiral-tech feature
- Tool-free door to cabinet assembly and removal

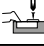
Application




Order information


Basic applications




 Boss	<input type="checkbox"/> Screw-on	
Hinge	Spring	Part no.
CLIP top	●	79T8500
● With spring	○ Unsprung	

 Boss	<input type="checkbox"/> Knock-in	
Hinge	Spring	Part no.
CLIP top	●	79T8530

a Accessories


 BLUMOTION 970.	
Version	Part no.
For drilling	970.1002


 Hinge arm cover cap		
Print/Stamp	Logo	Part no.
Plain	–	70.1503
Stamped	Blum	70.1503.BP

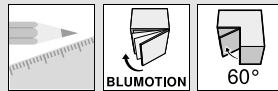
Also requires

CLIP top 155° hinge	118
CLIP top 170° hinge	122

a Accessories – general

 Chipboard screws		
Ø (mm)	Length (mm)	Part no.
3.5	15	609.1500
3.5	17	609.1700

 Insertion ram		
Material	Colour	Part no.
Nylon	Orange	MZM.0040

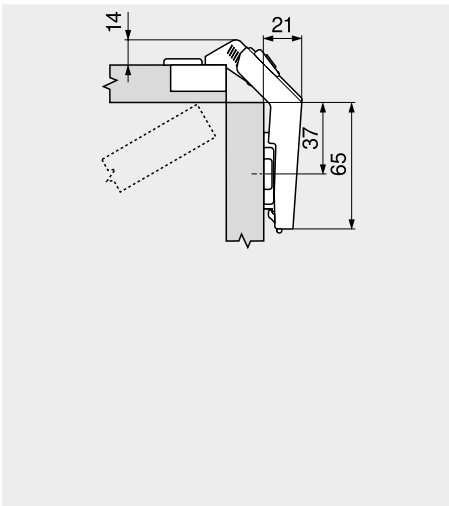


Corner cabinet bi-fold hinge

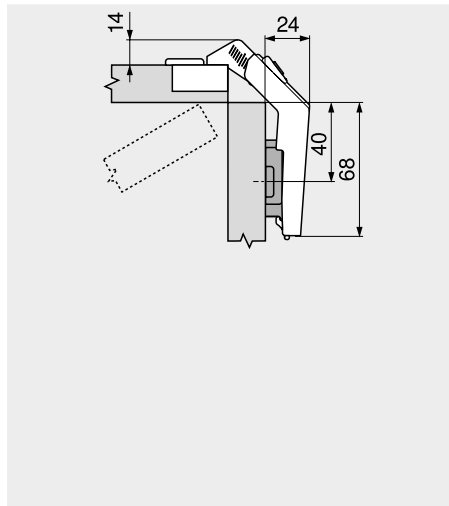
Webcode
 DQDQJY

Planning

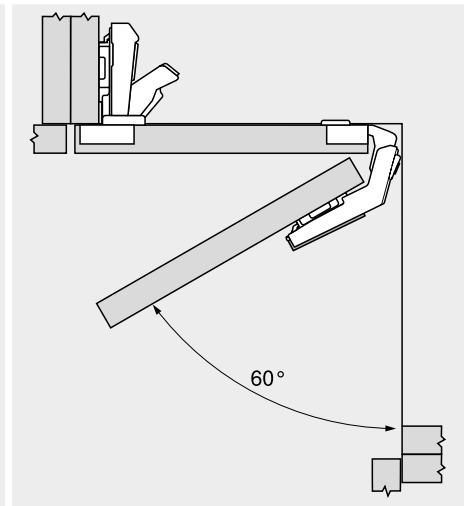
Hinge dimensions and gap calculation based on factory setting



Application for 19 mm thick door in conjunction with 0 mm spaced standard mounting plate

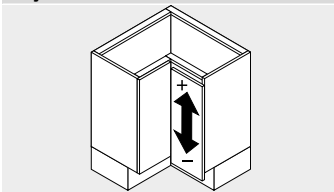


Application for 19 mm thick door in conjunction with 3 mm spaced standard mounting plate

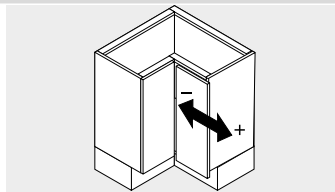


The hinge boss of the bi-fold hinge should be fixed to the same front as the hinge boss of the 170° and 155° hinge

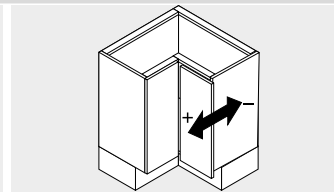
Adjustment



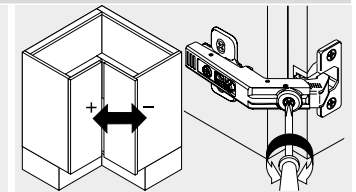
Height adjustment
 Max. ±3.0 mm
 See mounting plates



Side adjustment
 +3.0 mm
 -2.0 mm

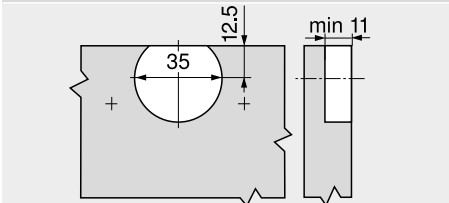


Depth adjustment
 ±2.0 mm

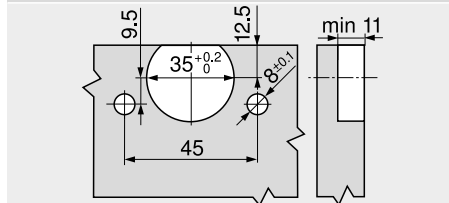


Gap adjustment
 +7.2 mm
 -4.2 mm

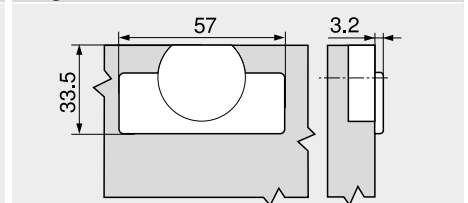
Screw-on



Knock-in



Hinge boss dimensions



Page instructions

Overview – CLIP top BLUMOTION / CLIP top – hinges	107	Assembly, removal and adjustment	196
Mounting plates	186	Overview – assembly devices	683
Accessories – hinge arm cover cap	193	More technical details	774
Accessories – general	194		
Overview – BLUMOTION for doors	539		