

Brass Hinge - Ref. 0990

Suitable for use of cabinets and lightweight doors

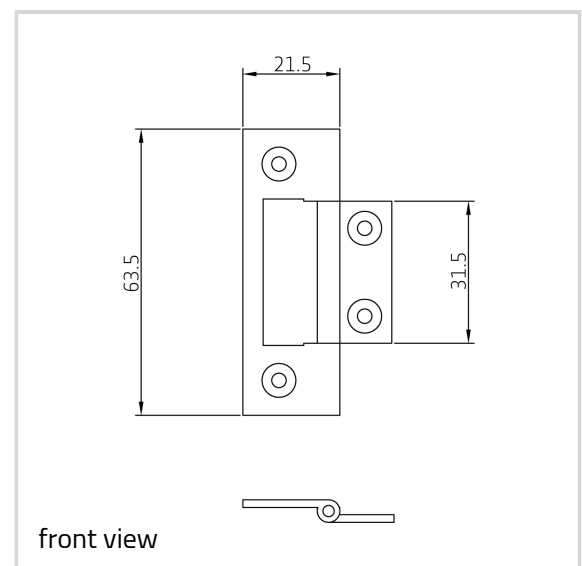


Product features

- brass pin
- 10 year performance guarantee
- brass flush hinges reducing the need to mortice hinges into cabinets
- suitable for use on cabinets and lightweight doors

Technical data

Property	Value
Load capacity	7.5 kg
Knuckle Diameter	5.0 mm
Overall length	63.5 mm
Overall width	21.5 mm
Material thickness	1.7 mm
Screw	4.0 x 12.7 mm



Notes

Supplied complete with pozi/slotted head brass woodscrew if required.

Brass Hinges - Brass Hinge - Ref. 0990

Item versions

Finish	Aged Brass (UK 501)
OF-No.	UK 501
VPE	20 pcs
DIN	DIN right and left hand
Article number	0990
Finish	Antique Brass (UK 502)
OF-No.	UK 502
VPE	20 pcs
DIN	DIN right and left hand
Article number	0990
Finish	Antique nickel (UK 503)
OF-No.	UK 503
VPE	20 pcs
DIN	DIN right and left hand
Article number	0990
Finish	Copper Bronze (UK 505)
OF-No.	UK 505
VPE	20 pcs
DIN	DIN right and left hand
Article number	0990
Finish	Copper (UK 506)
OF-No.	UK 506
VPE	20 pcs
DIN	DIN right and left hand
Article number	0990
Finish	Honeycombe (UK 507)
OF-No.	UK 507
VPE	20 pcs
DIN	DIN right and left hand
Article number	0990
Finish	Imitation Bronze (UK 508)
OF-No.	UK 508
VPE	20 pcs
DIN	DIN right and left hand
Article number	0990

Brass Hinges - Brass Hinge - Ref. 0990

Finish	Midnight (UK 509)
OF-No.	UK 509
VPE	20 pcs
DIN	DIN right and left hand
Article number	0990
Finish	Pearl Nickel (UK 510)
OF-No.	UK 510
VPE	20 pcs
DIN	DIN right and left hand
Article number	0990
Finish	Polished Chrome (UK 511)
OF-No.	UK 511
VPE	20 pcs
DIN	DIN right and left hand
Article number	0990
Finish	Polished & Lacquered (UK 512)
OF-No.	UK 512
VPE	20 pcs
DIN	DIN right and left hand
Article number	0990
Finish	Polished Nickel (UK 513)
OF-No.	UK 513
VPE	20 pcs
DIN	DIN right and left hand
Article number	0990
Finish	Satin Brass & Lacquered (UK 514)
OF-No.	UK 514
VPE	20 pcs
DIN	DIN right and left hand
Article number	0990
Finish	Satin Chrome (UK 515)
OF-No.	UK 515
VPE	20 pcs
DIN	DIN right and left hand
Article number	0990
Finish	Satin nickel (UK 516)

Brass Hinges - Brass Hinge - Ref. 0990

OF-No.	UK 516
VPE	20 pcs
DIN	DIN right and left hand
Article number	0990