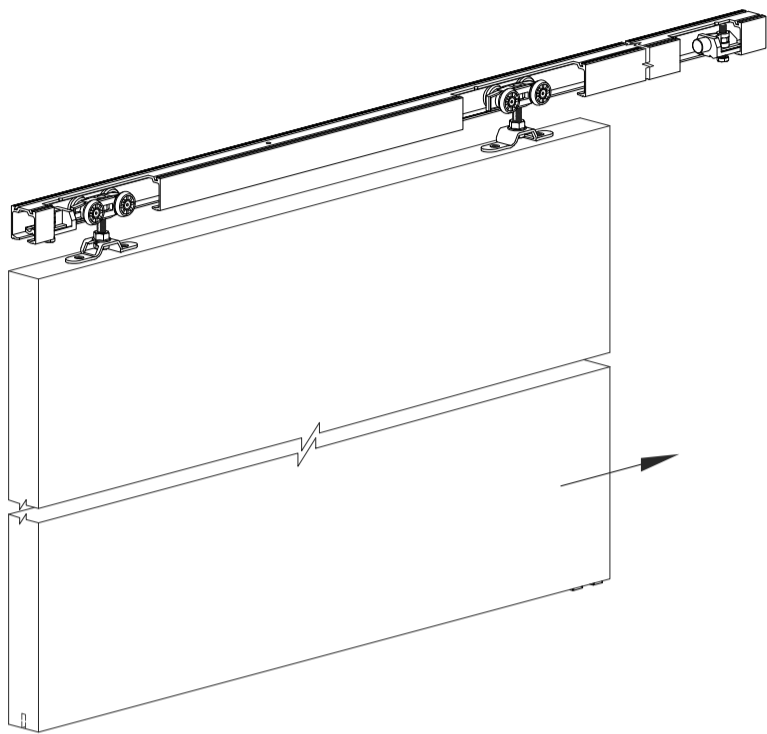
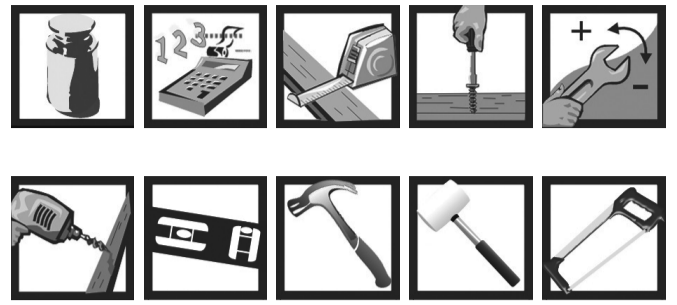
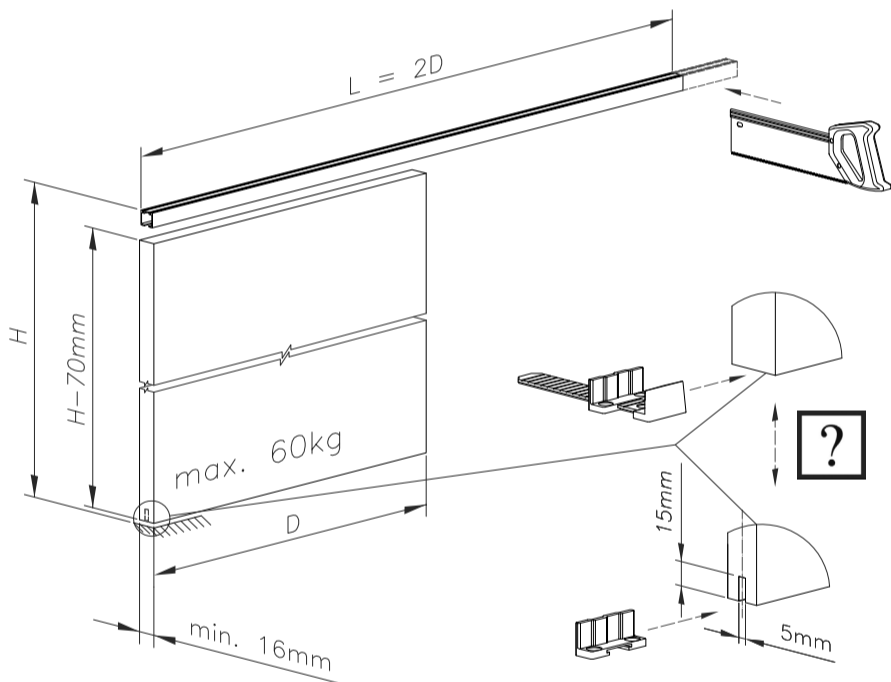
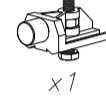
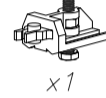
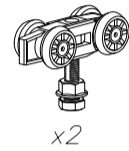
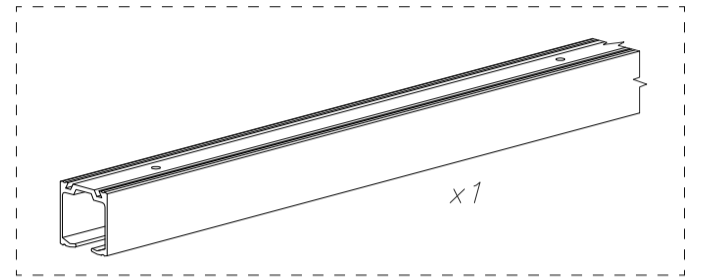


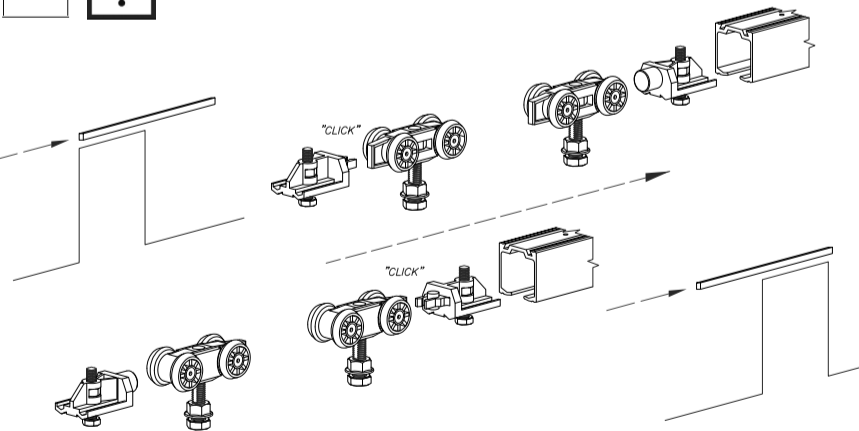
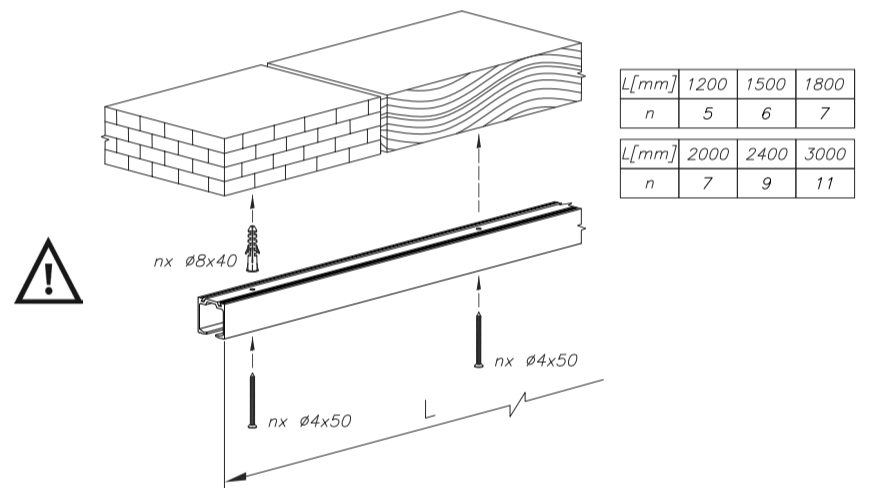
# HERKULES 60



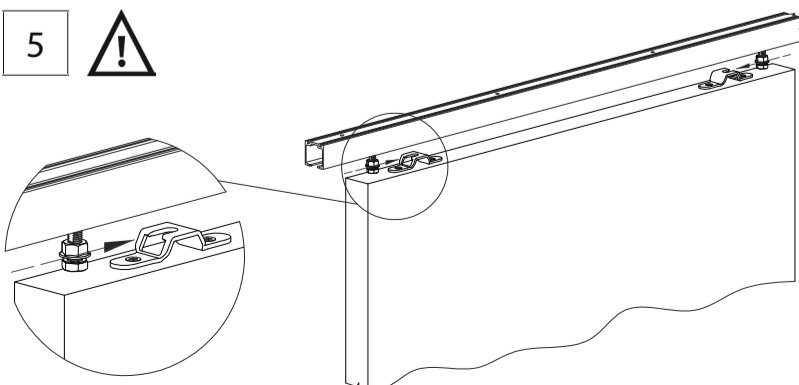
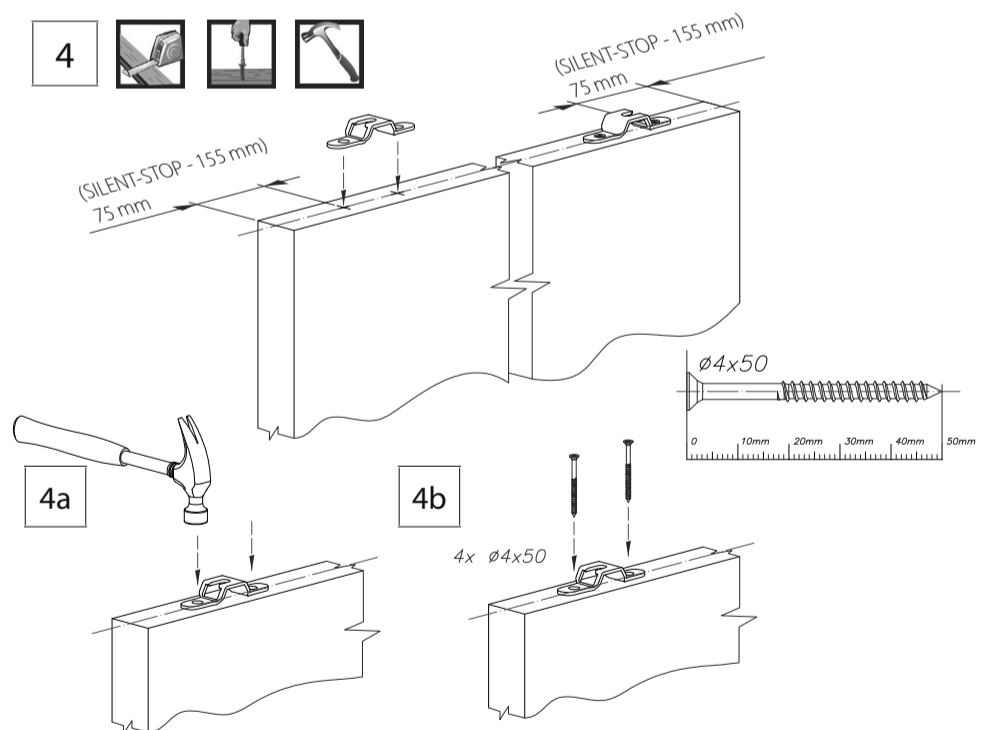
4x50  
x4      Ø4x16  
x7



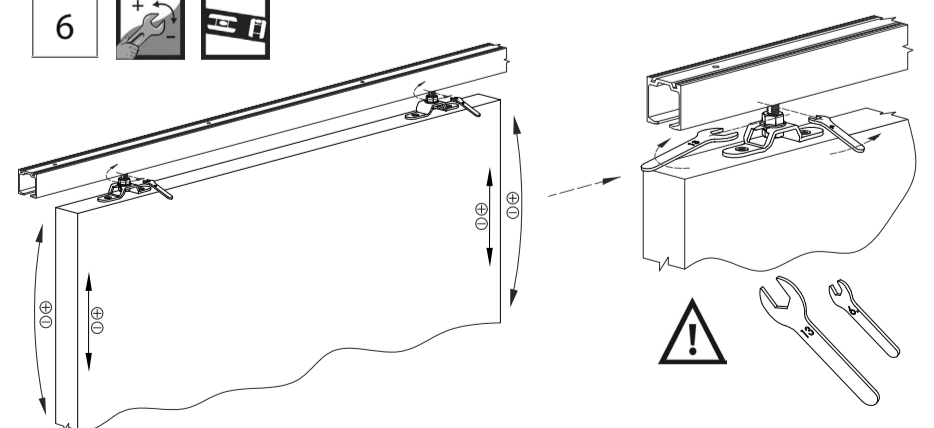
2



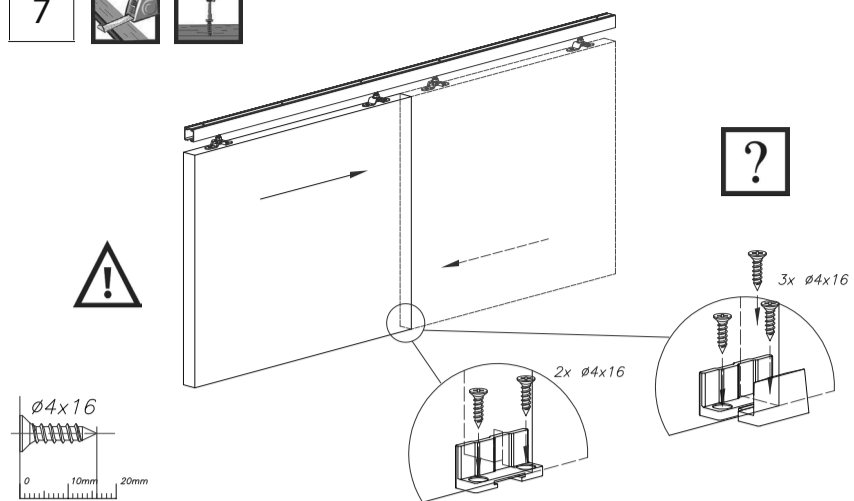
4



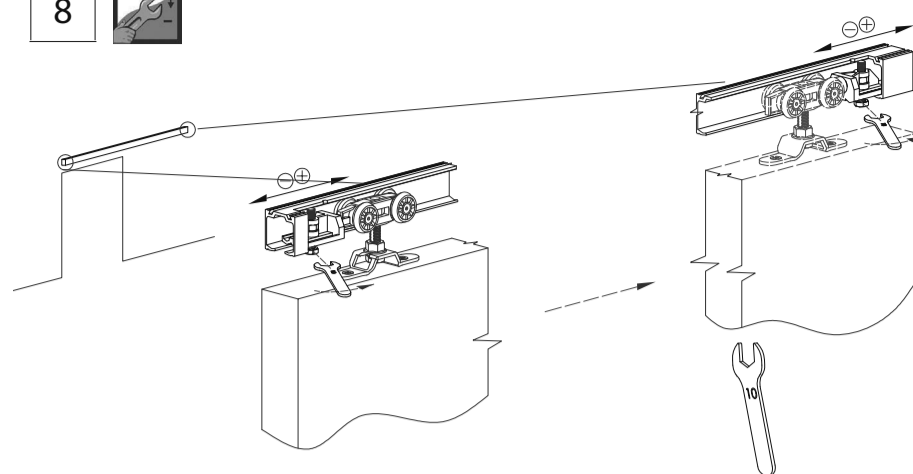
6



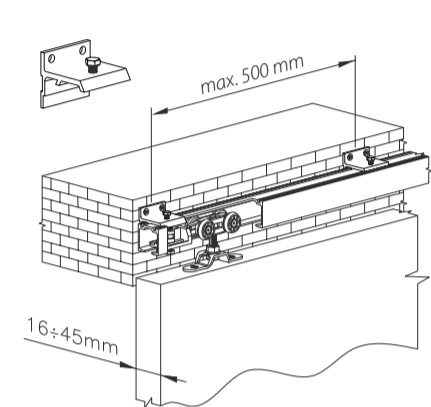
7 



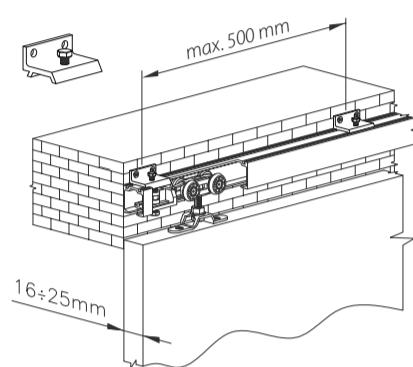
8 



1 ptions

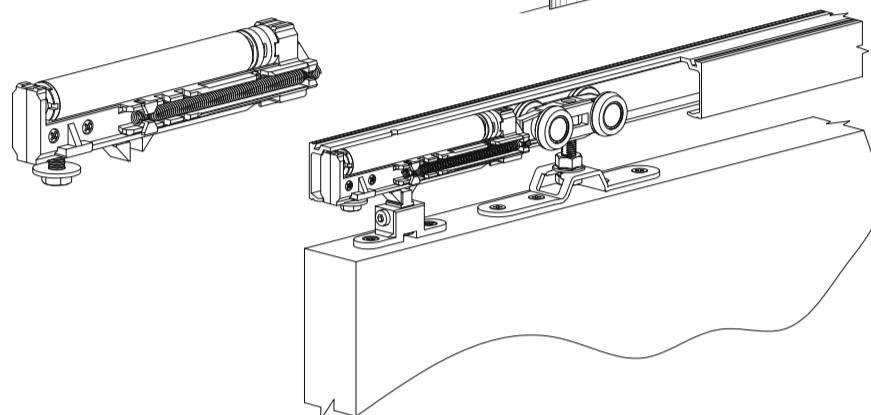


2 ptions

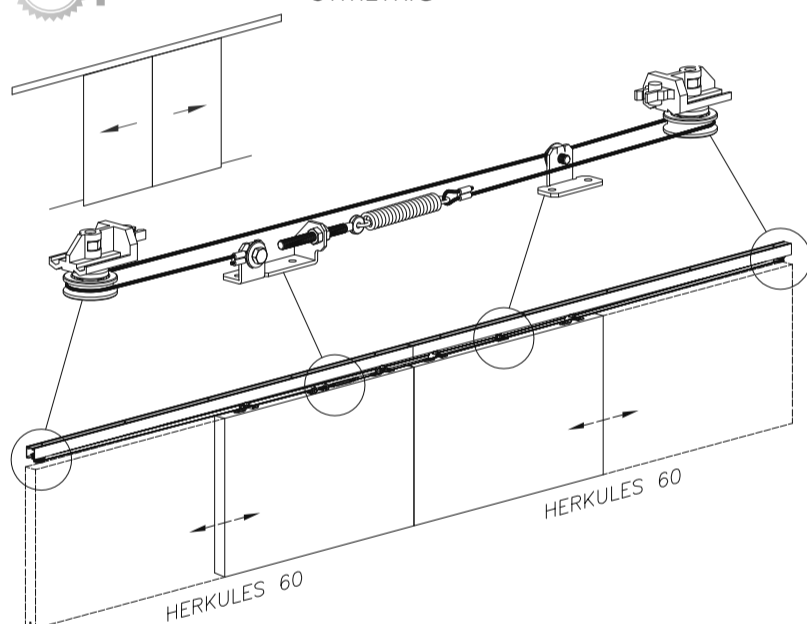


3 ptions

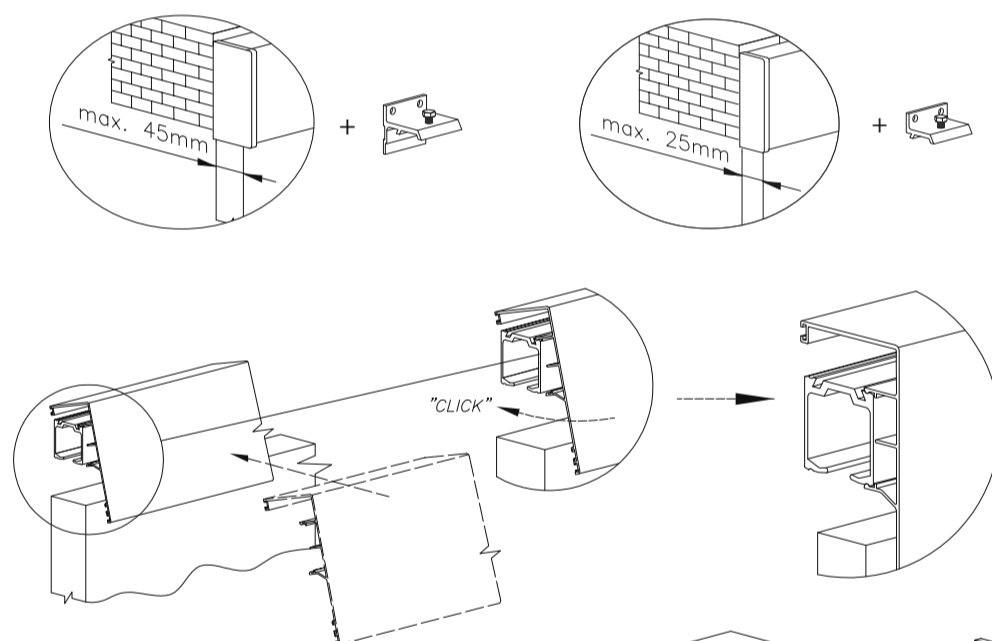
SILENT-STOP



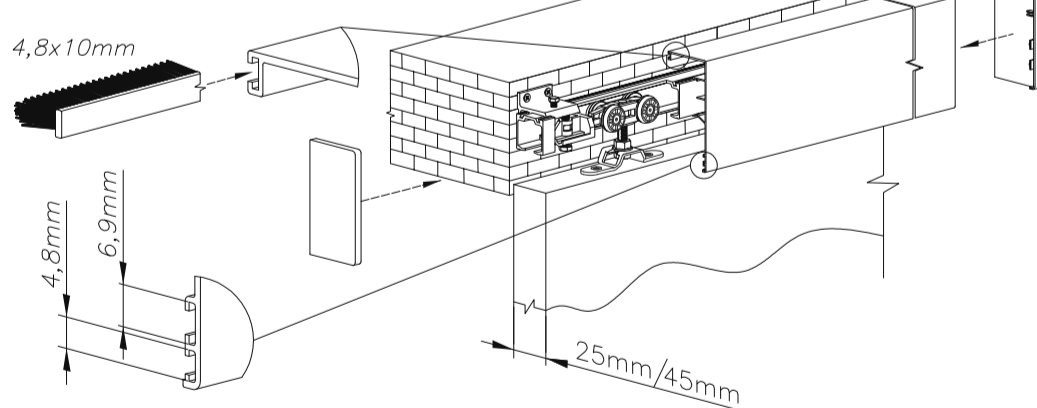
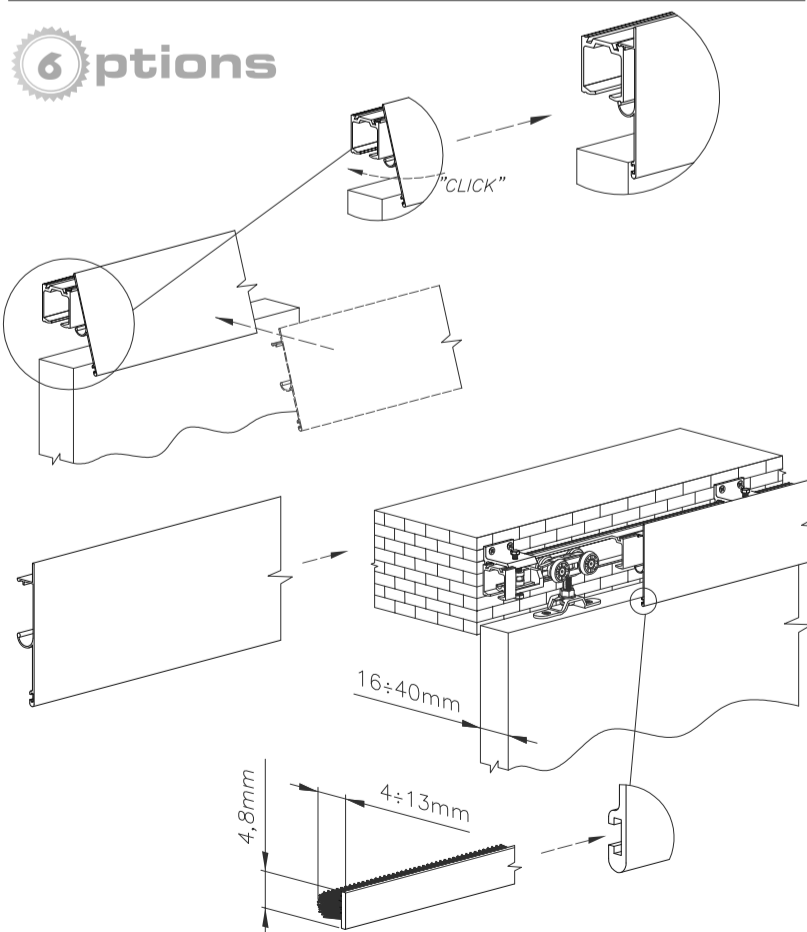
4 ptions SYMETRIC



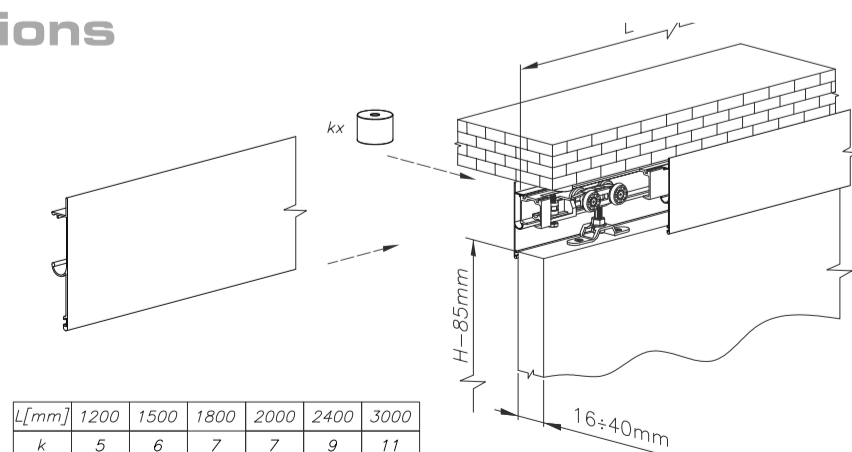
5 ptions



6 ptions



7 ptions



| L[mm] | 1200 | 1500 | 1800 | 2000 | 2400 | 3000 |
|-------|------|------|------|------|------|------|
| k     | 5    | 6    | 7    | 7    | 9    | 11   |

## Herkules 60 and 120 Mounting Options Guide

A - track fixed directly to the ceiling; bottom guide covering both sides of the door.

B - track mounted on wall with flush wall brackets, for door width 16 to 22mm; bottom guide fitted into milled groove on underside of door.

C - track attached to the ceiling by the spacers, allowing fitting of pelmets on both sides,

D - track mounted on wall with wall brackets, for door width 22 to 40mm

