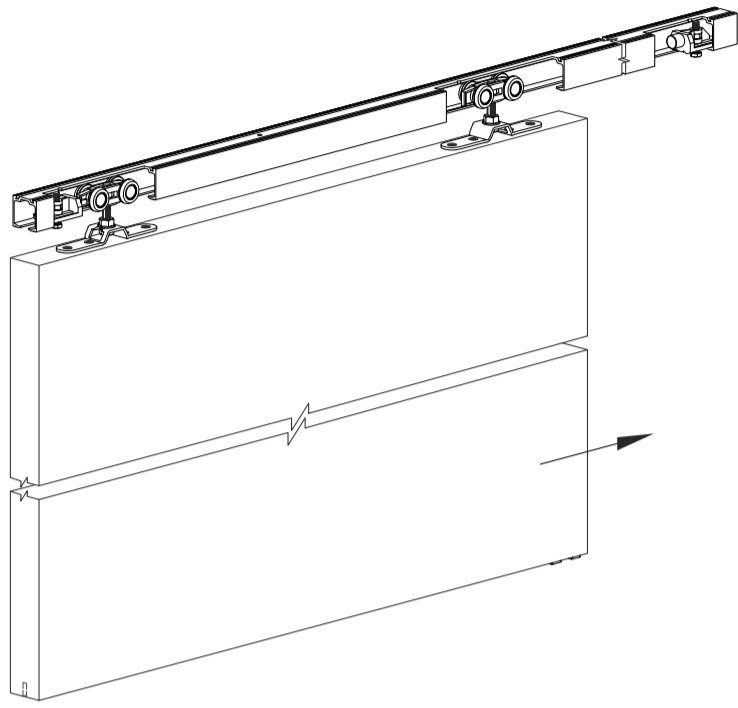
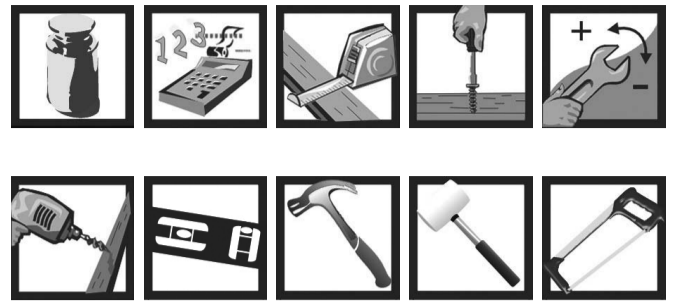
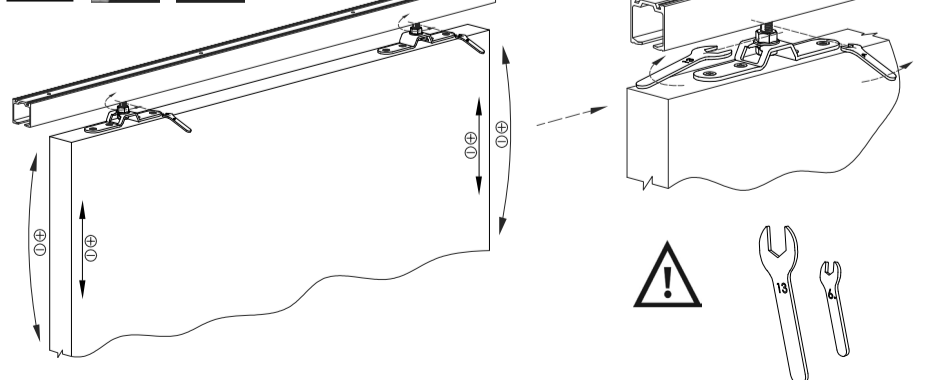
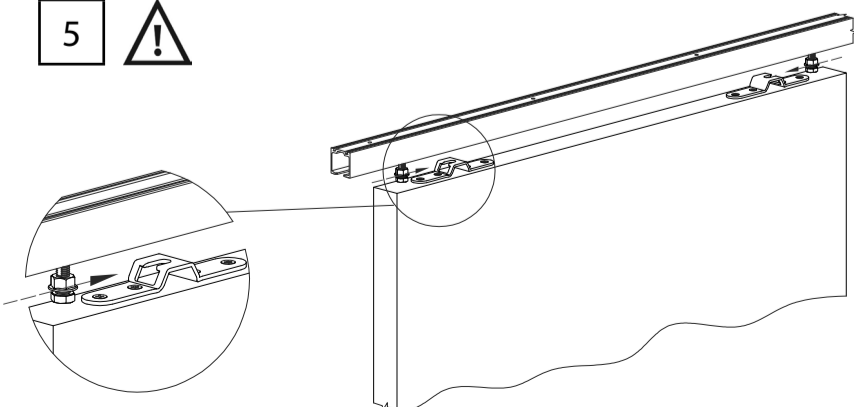
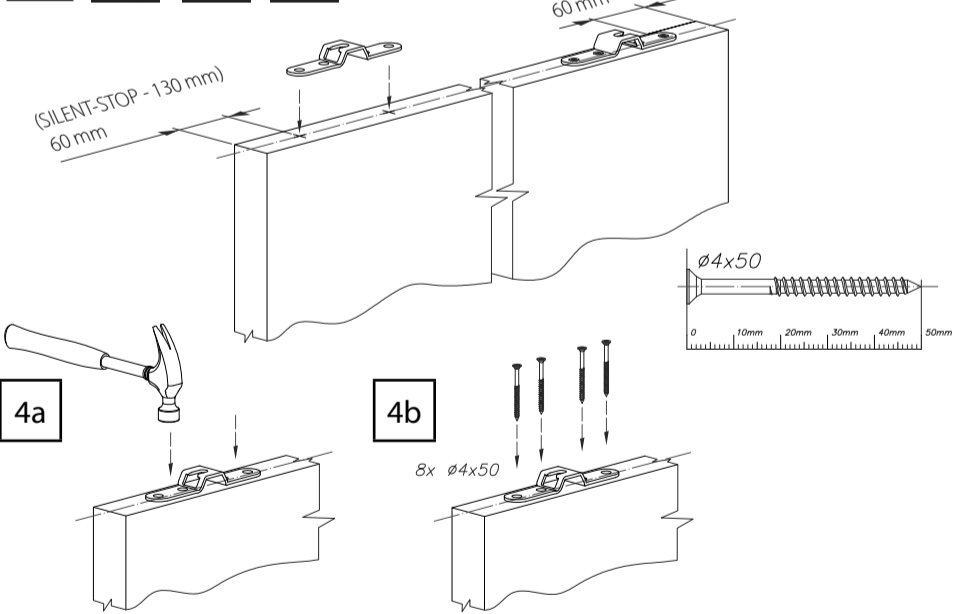
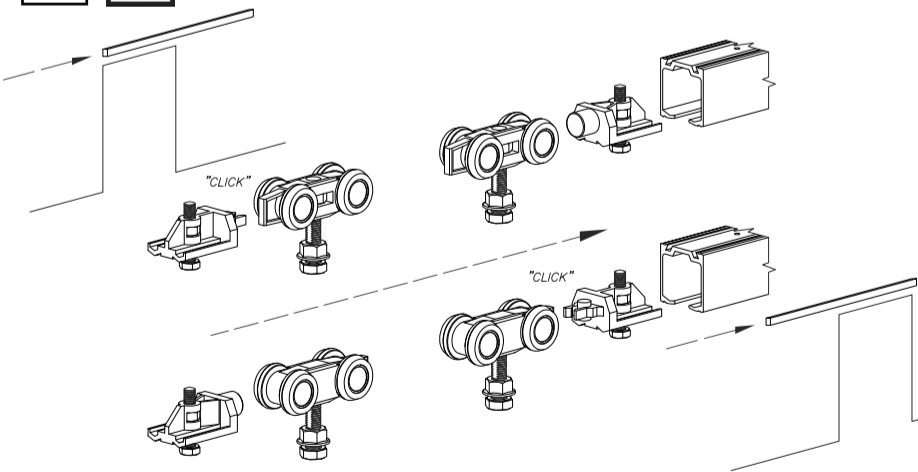
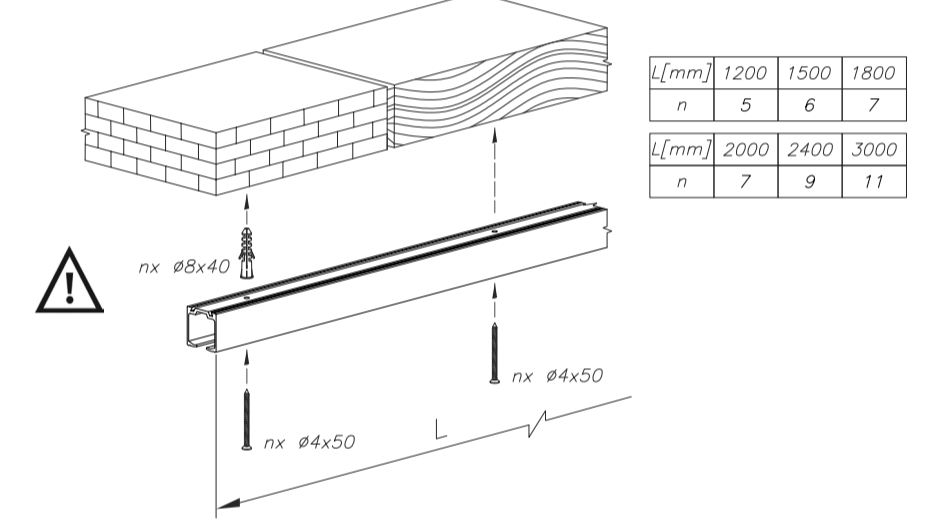
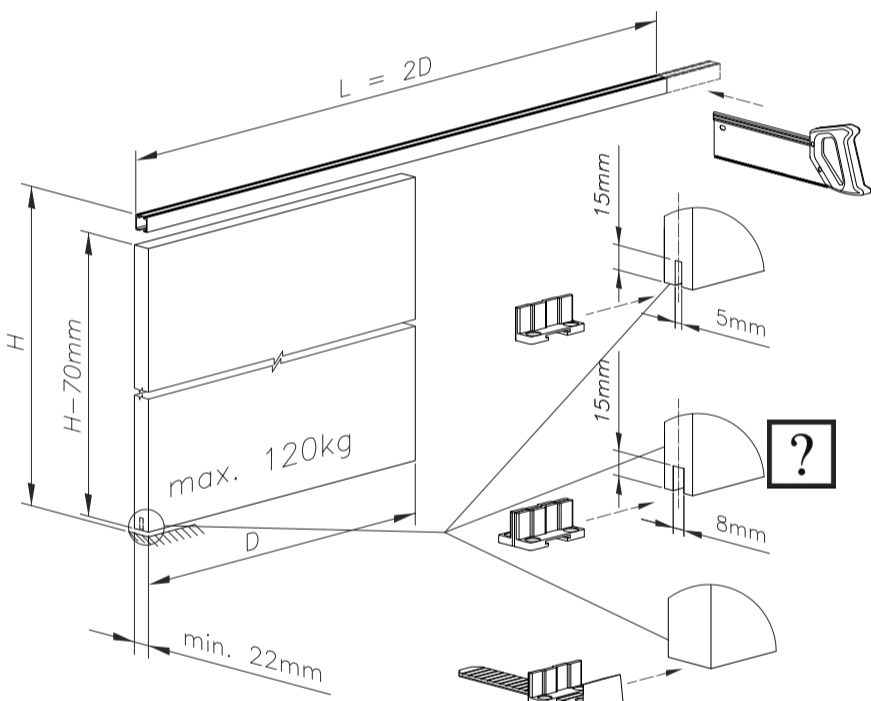
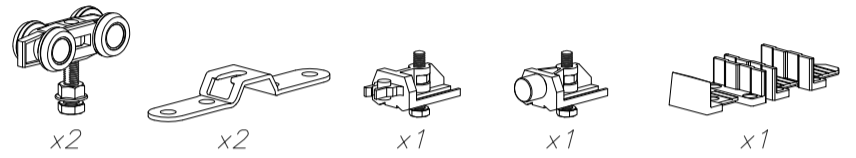
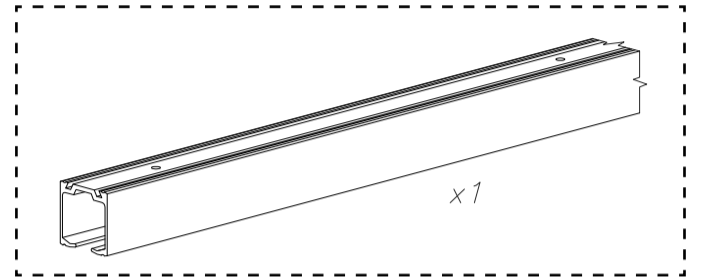
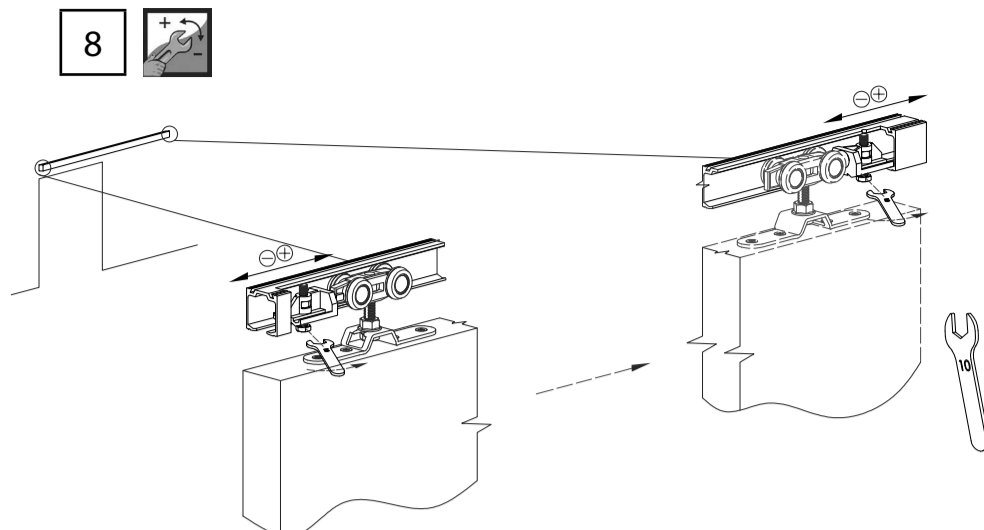
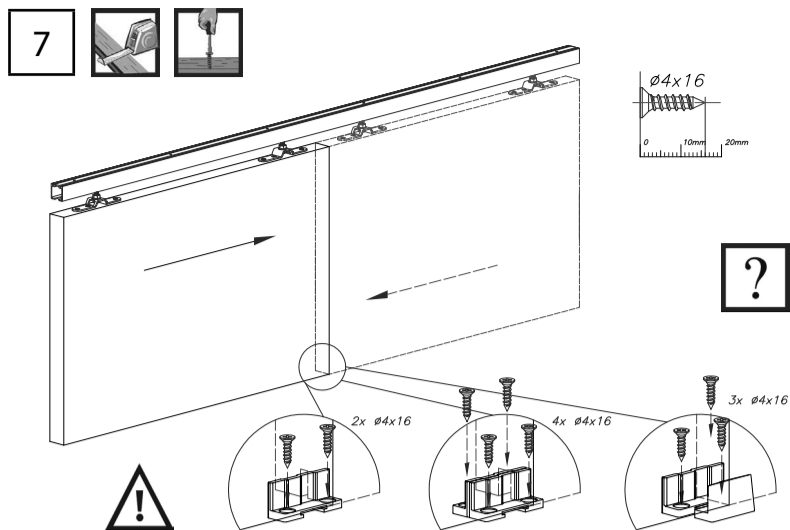


HERKULES 120

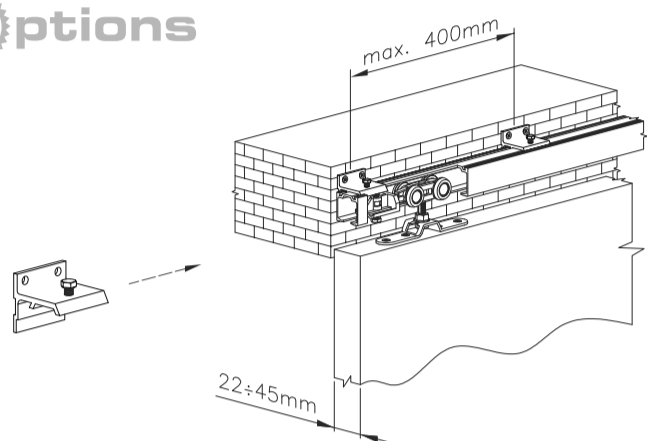


$\phi 4 \times 50$ x8
 $\phi 4 \times 16$ x7

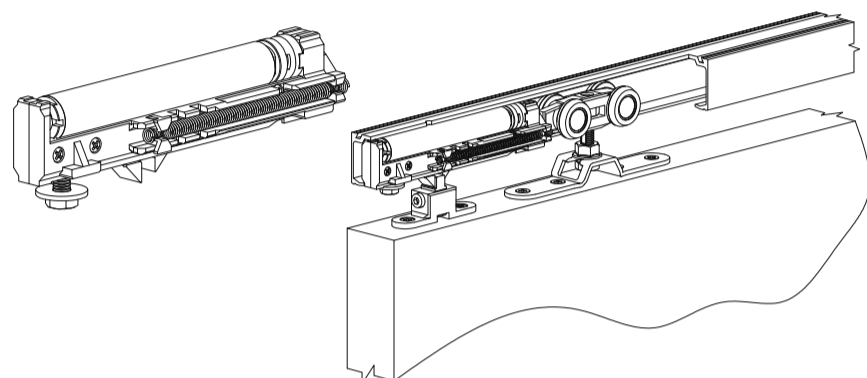




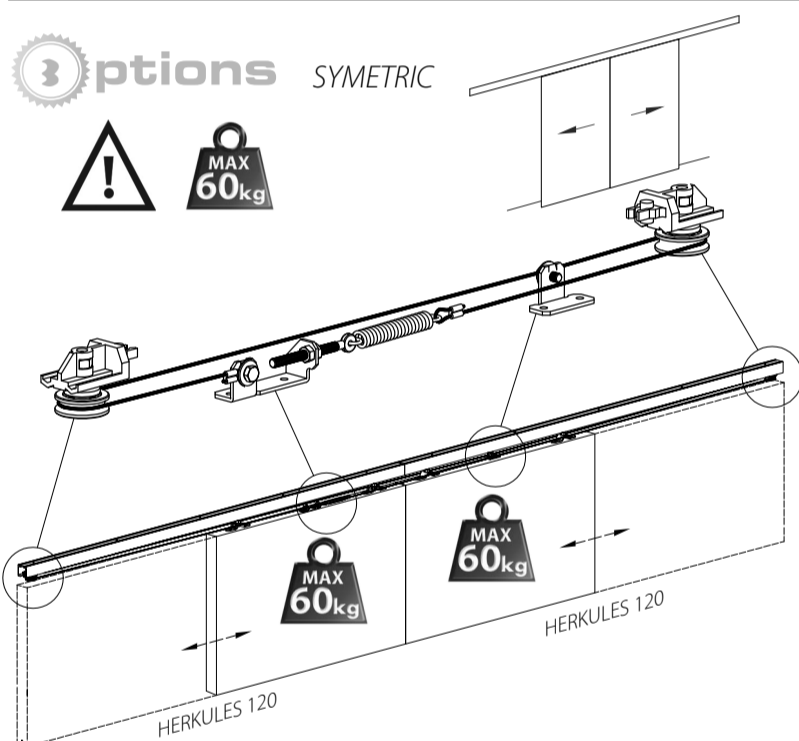
1ptions



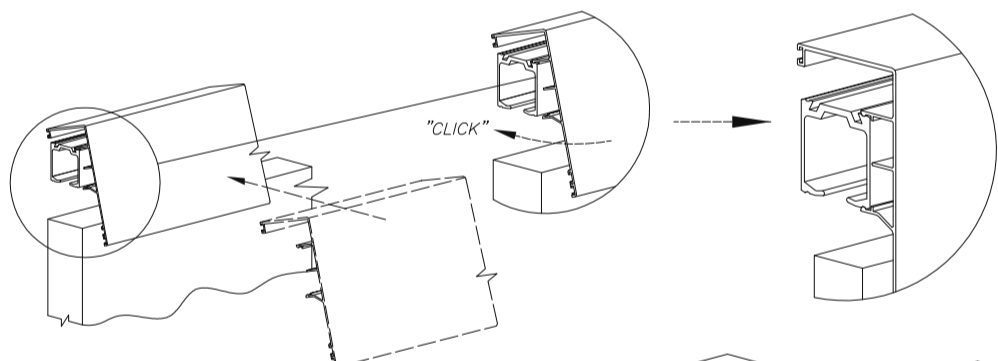
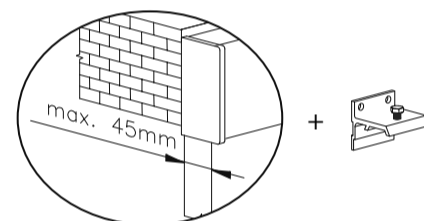
2ptions *SILENT-STOP*



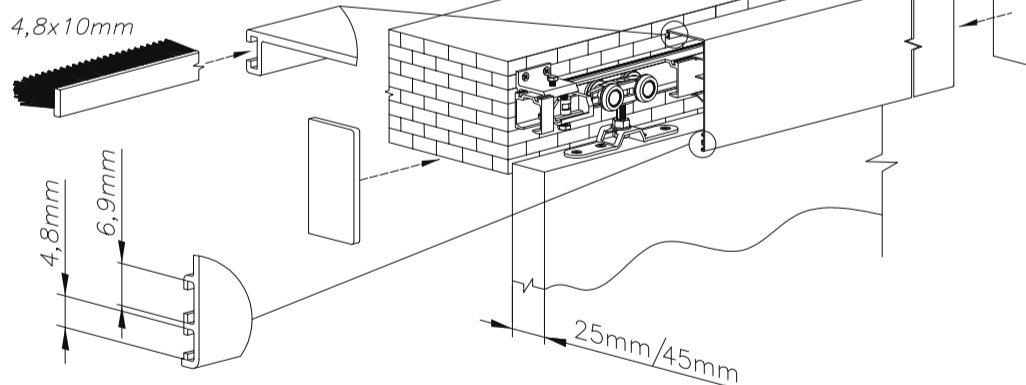
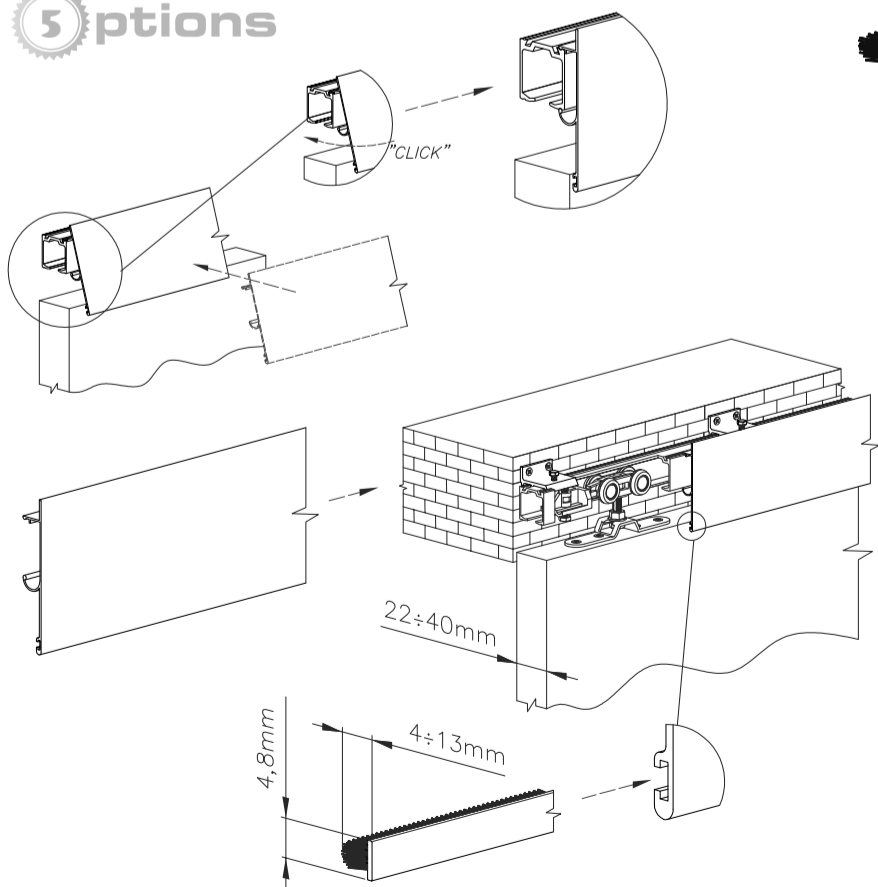
3ptions *SYMETRIC*



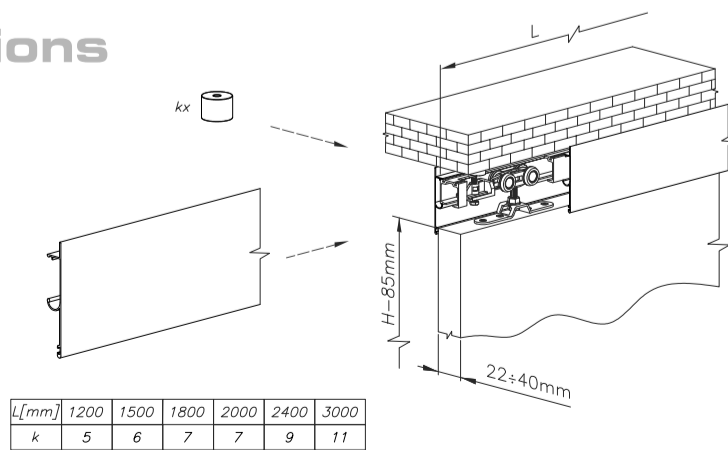
4ptions



5ptions



6ptions



Herkules 60 and 120 Mounting Options Guide

A - track fixed directly to the ceiling; bottom guide covering both sides of the door.

B - track mounted on wall with flush wall brackets, for door width 16 to 22mm; bottom guide fitted into milled groove on underside of door.

C - track attached to the ceiling by the spacers, allowing fitting of pelmets on both sides,

D - track mounted on wall with wall brackets, for door width 22 to 40mm

