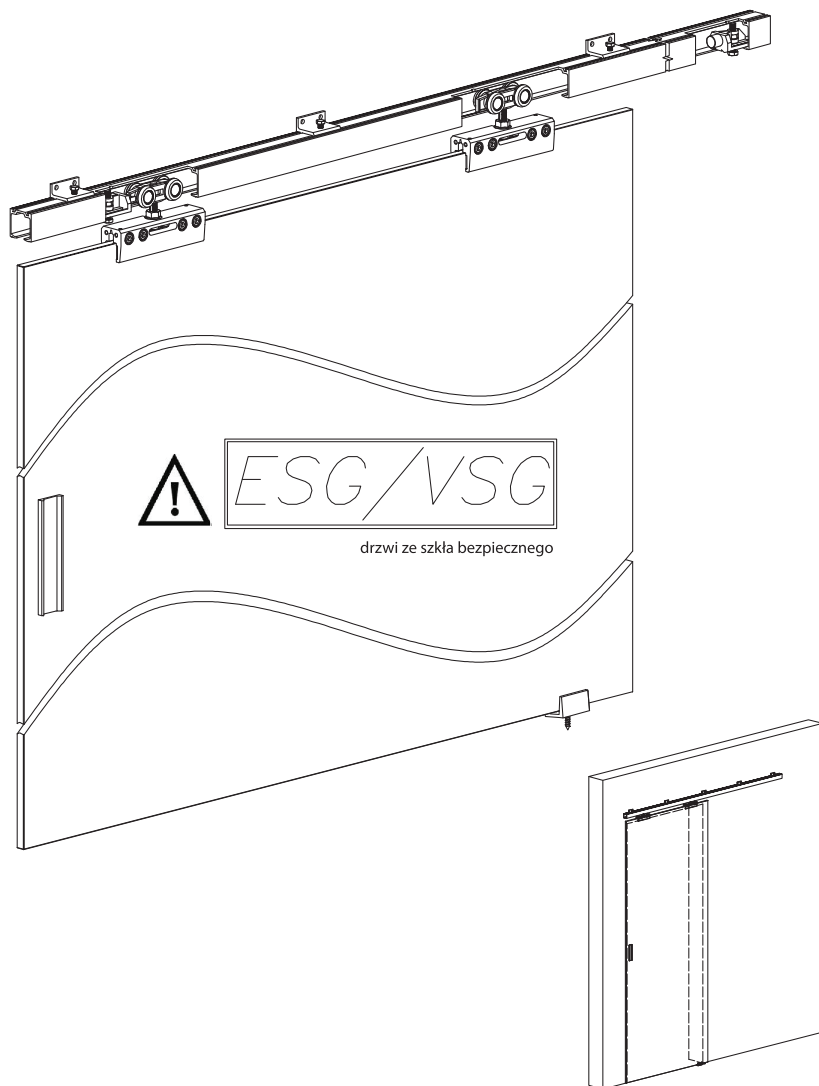
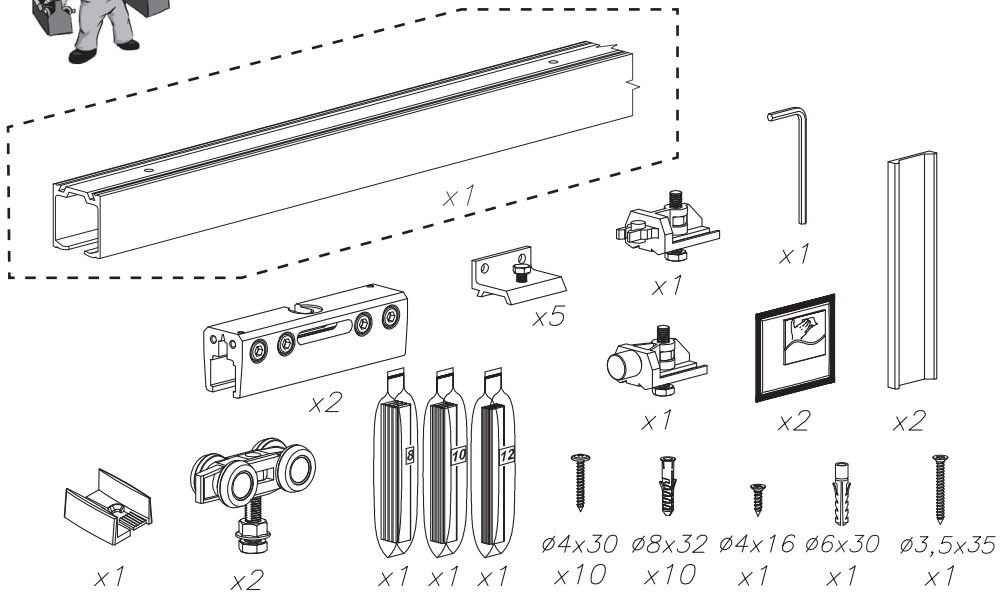
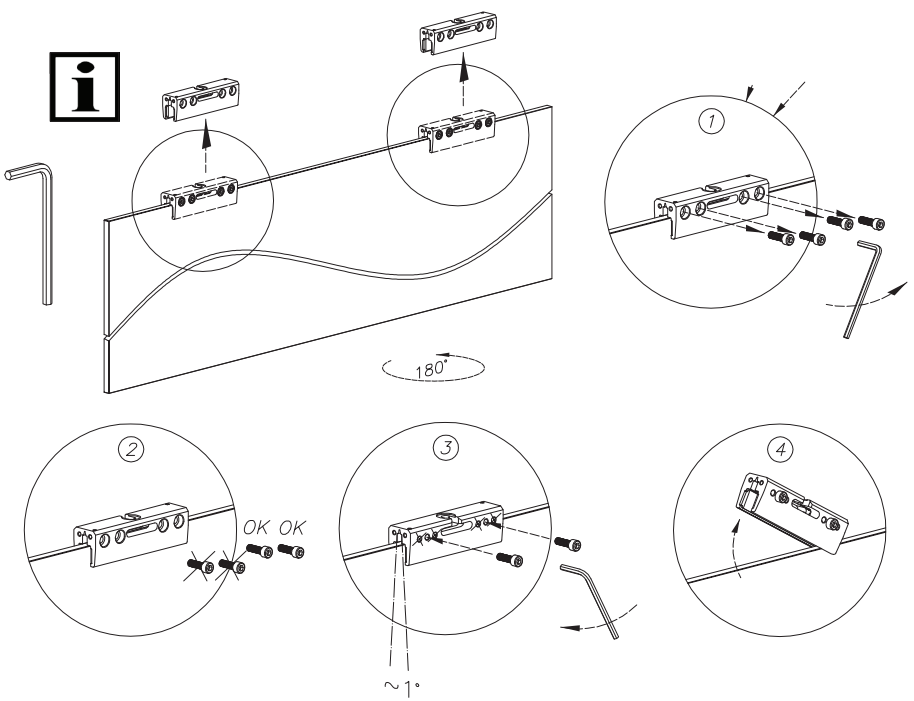
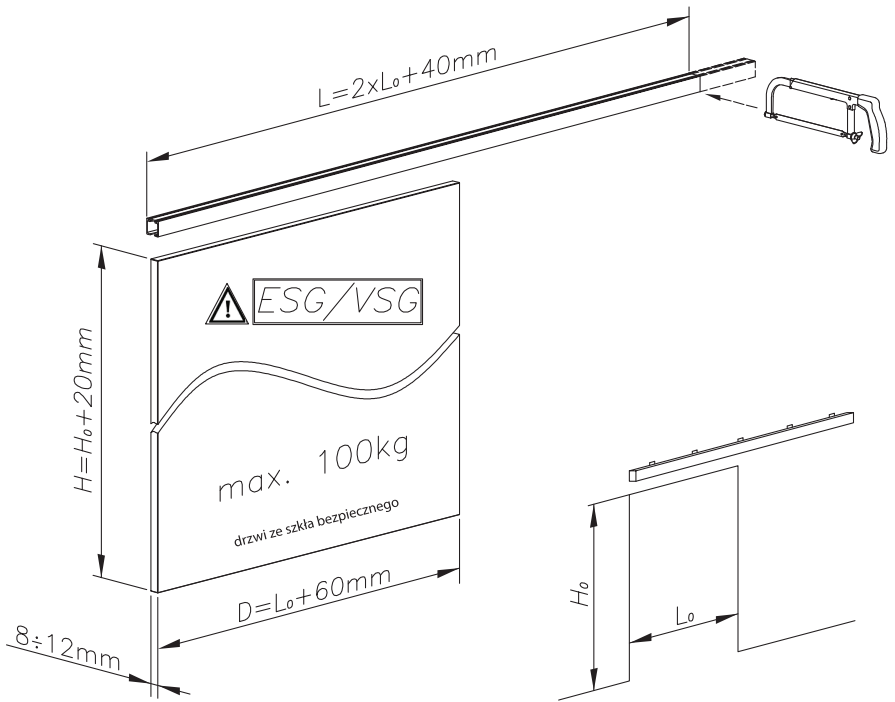


Herkules *Glas*

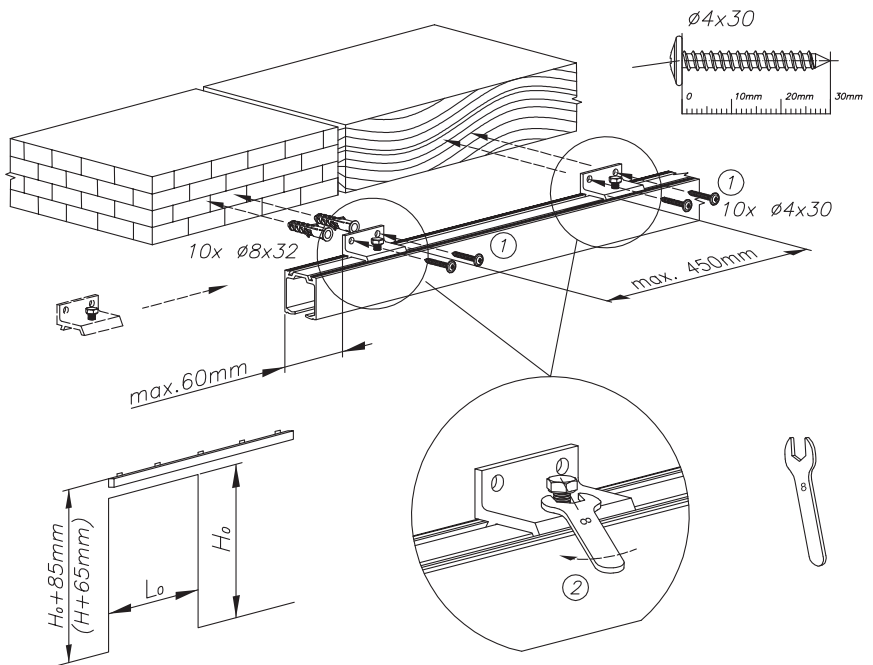




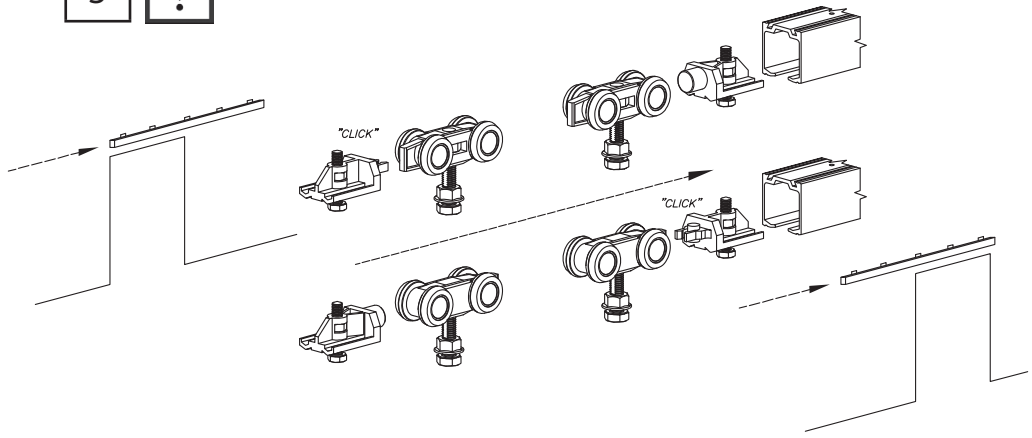
1



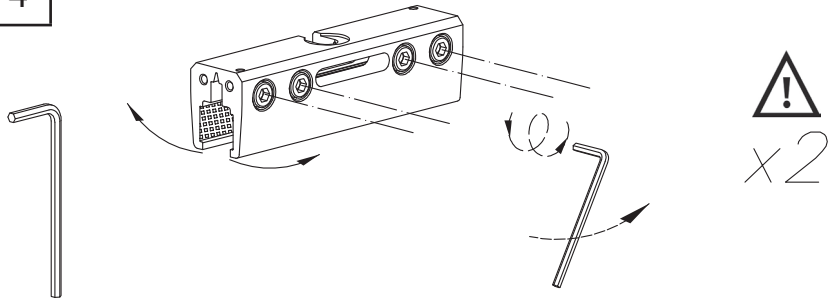
2



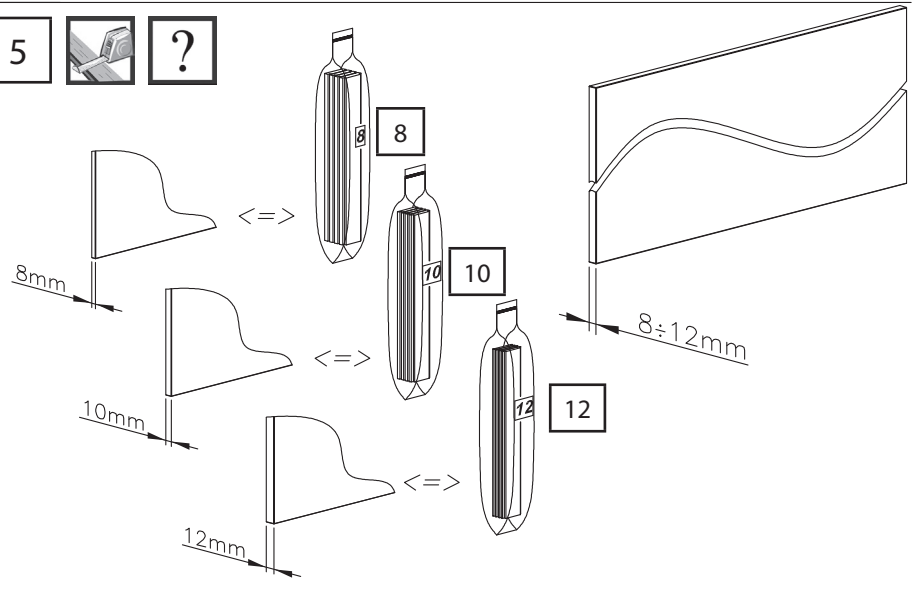
3 ?



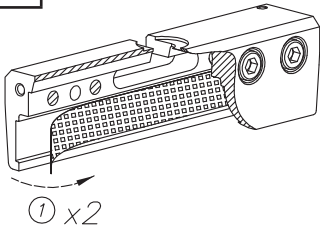
4



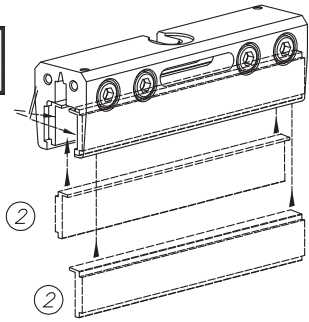
5 ?



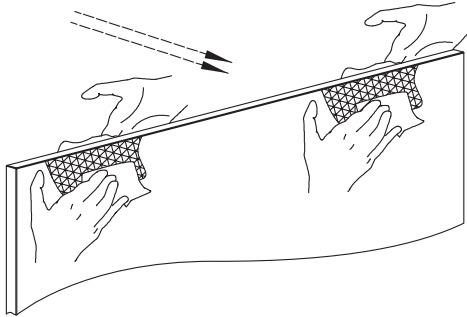
6



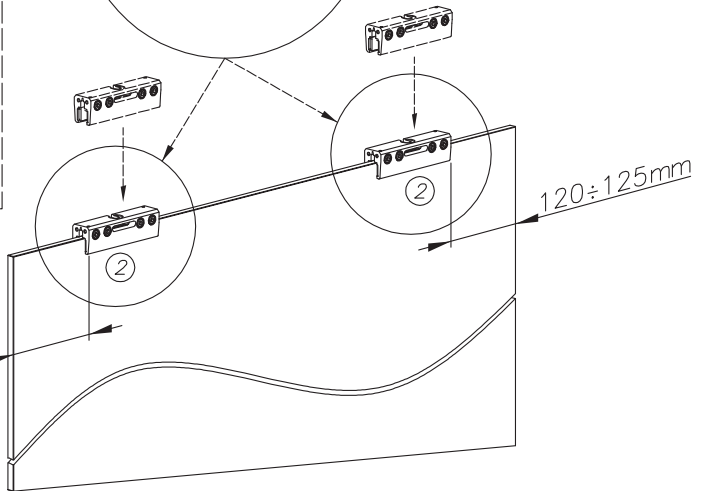
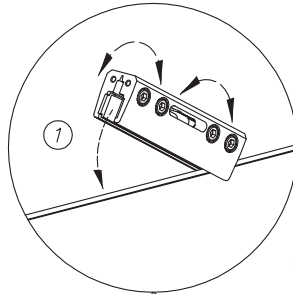
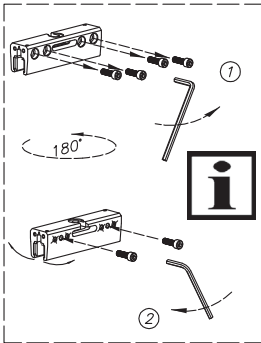
! x2



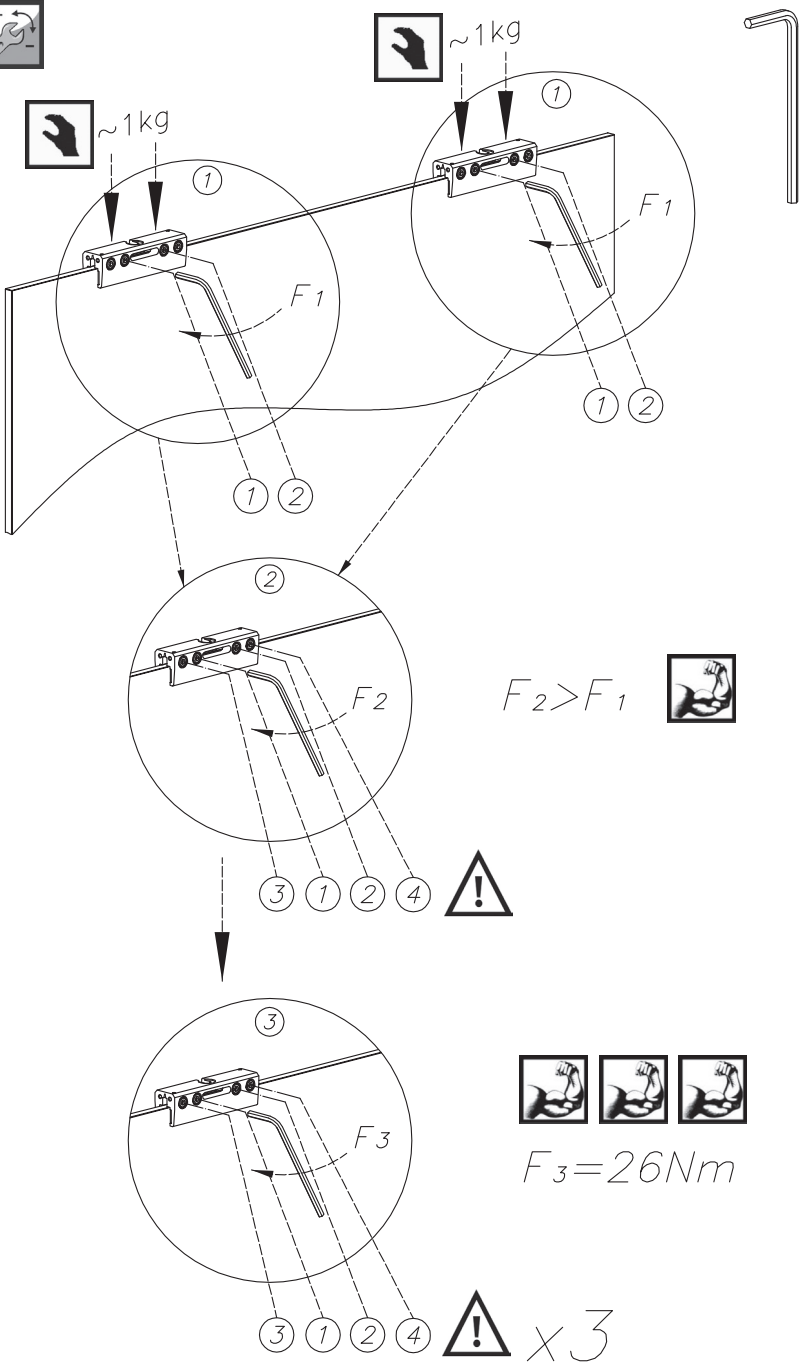
7



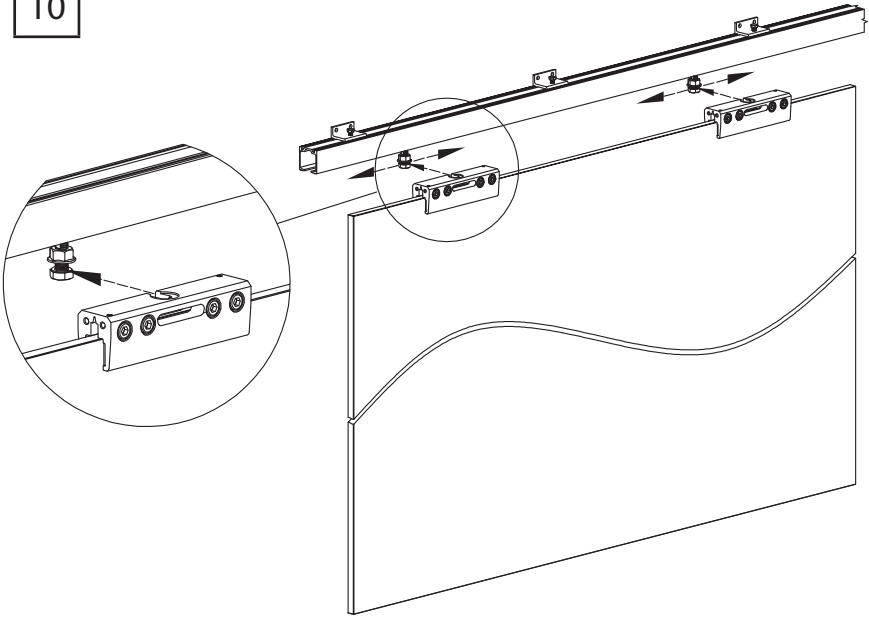
8



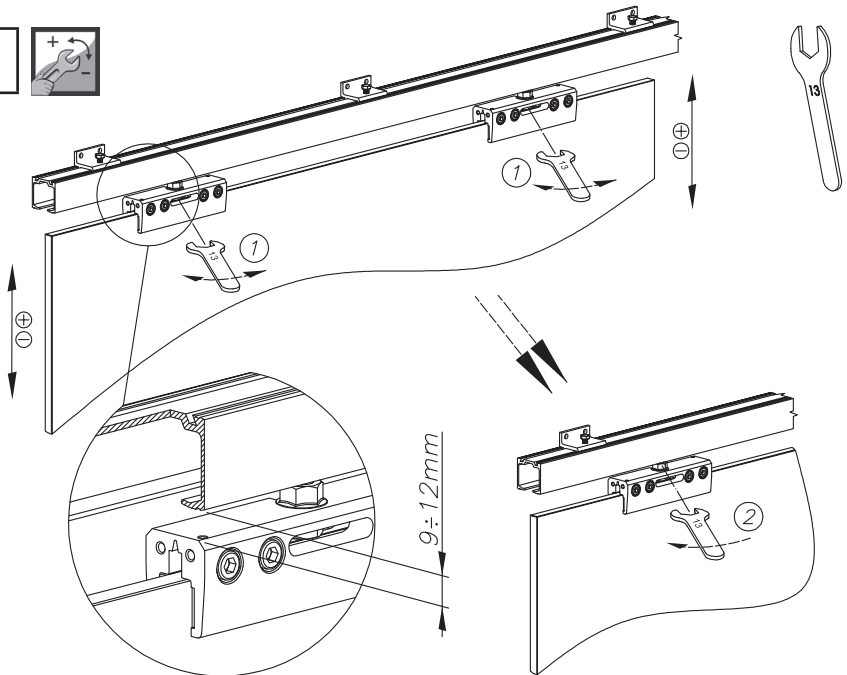
9



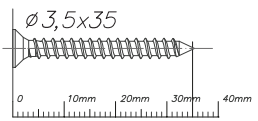
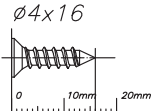
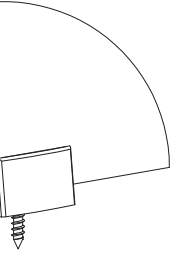
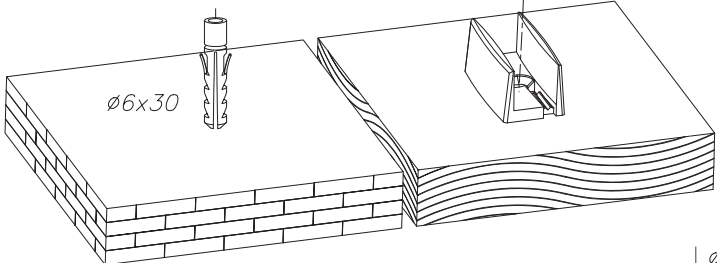
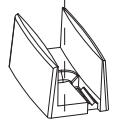
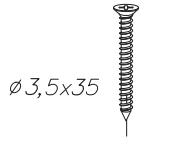
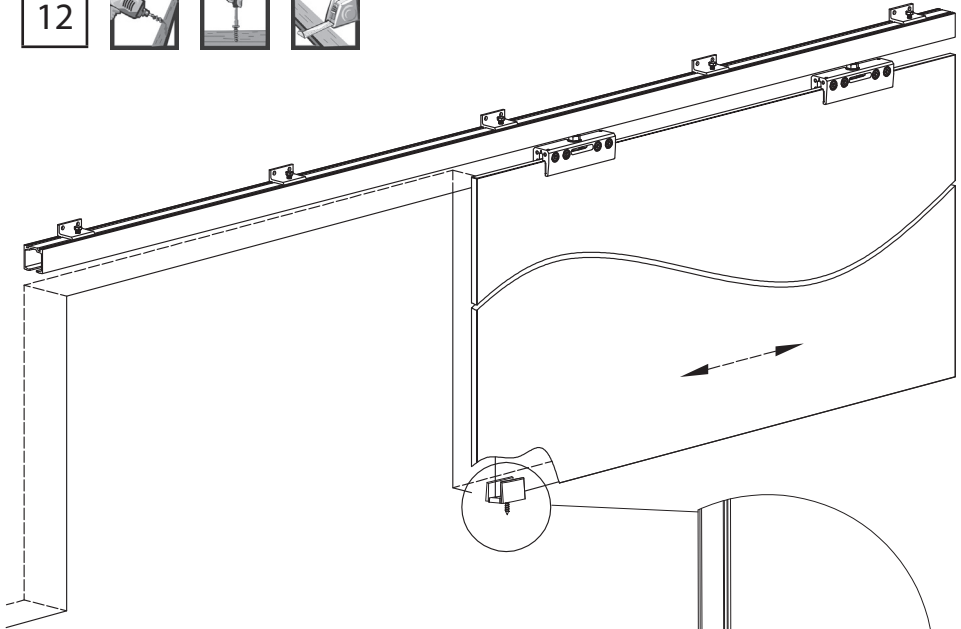
10

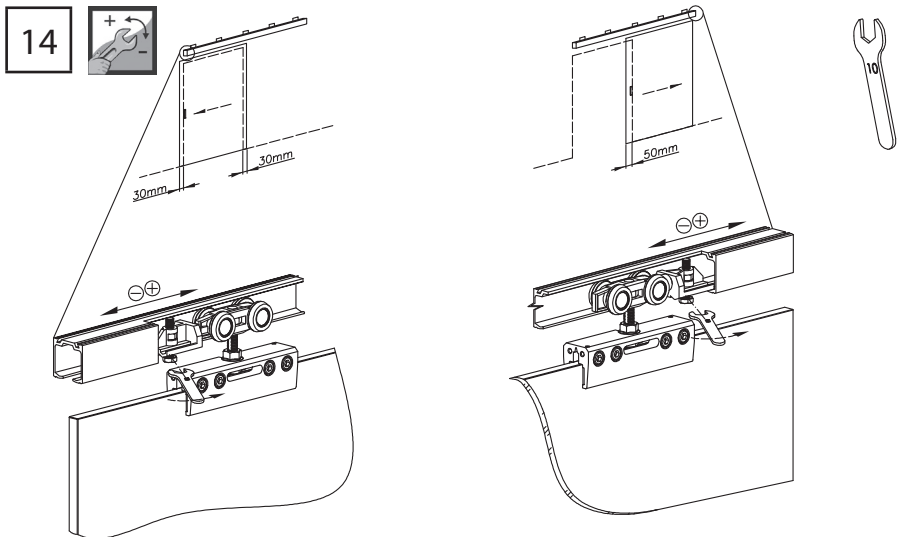
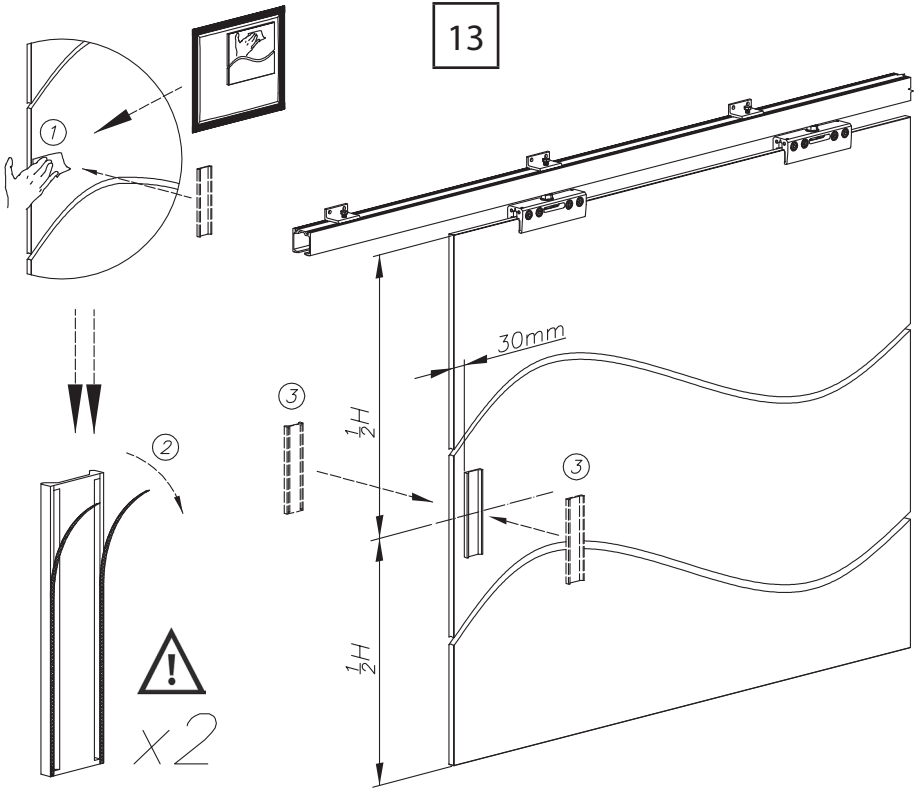


11

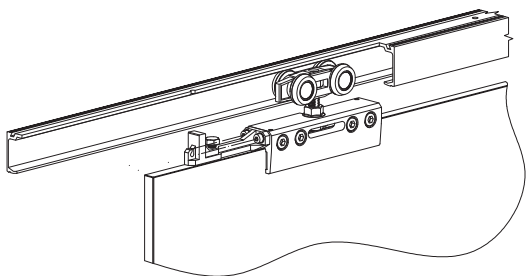
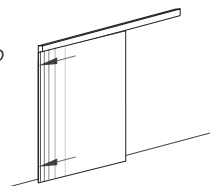
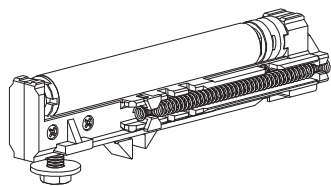


12





1 options SILENT-STOP



2 options

