

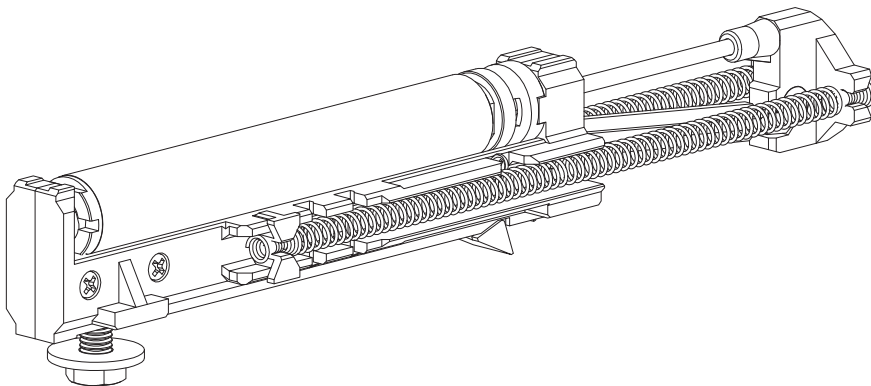
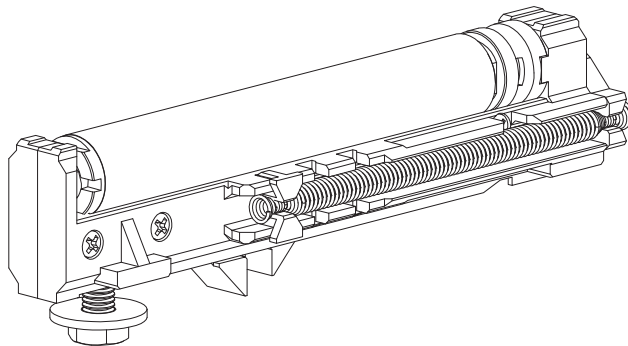
**VALCOMP**

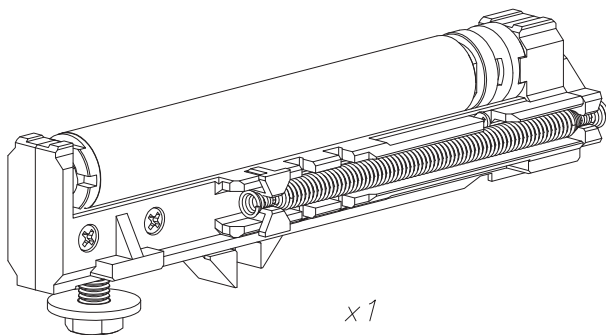
www.valcomp.pl

# SILENT-STOP

HERKULES 60, 120, HERKULES *Plus*

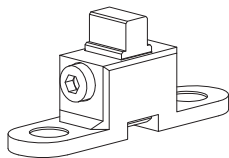
DELTA, SIGMA, SIGMA *Plus*, AMARENO





x1

HERKULES 60, 120, DELTA, SIGMA, AMARENO



x1

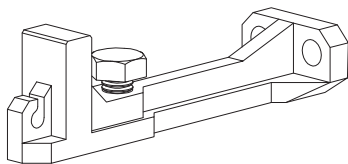


Ø4x50  
x2



x1

HERKULES *Glas*, SIGMA *Glas*



x1



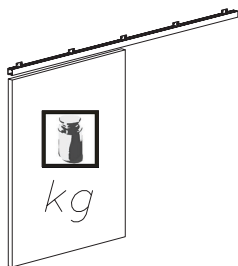
M4x10  
x2



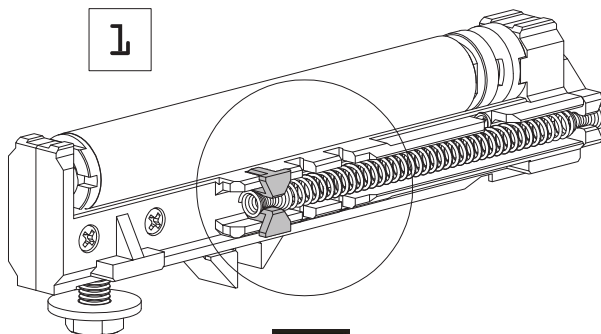
x2



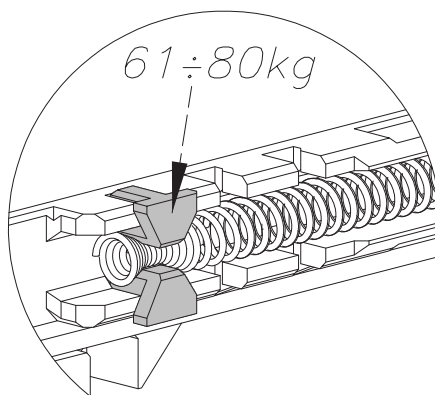
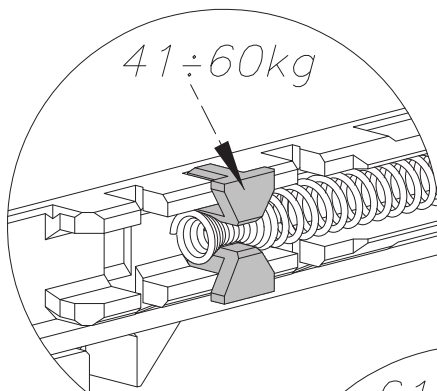
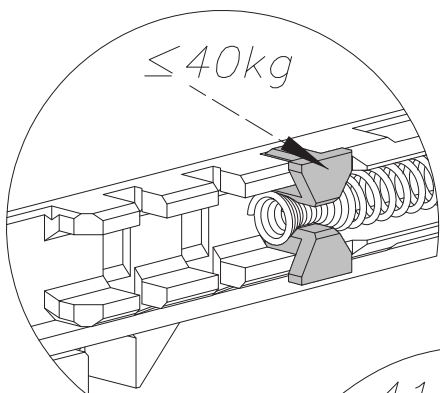
x1



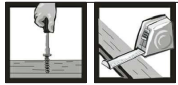
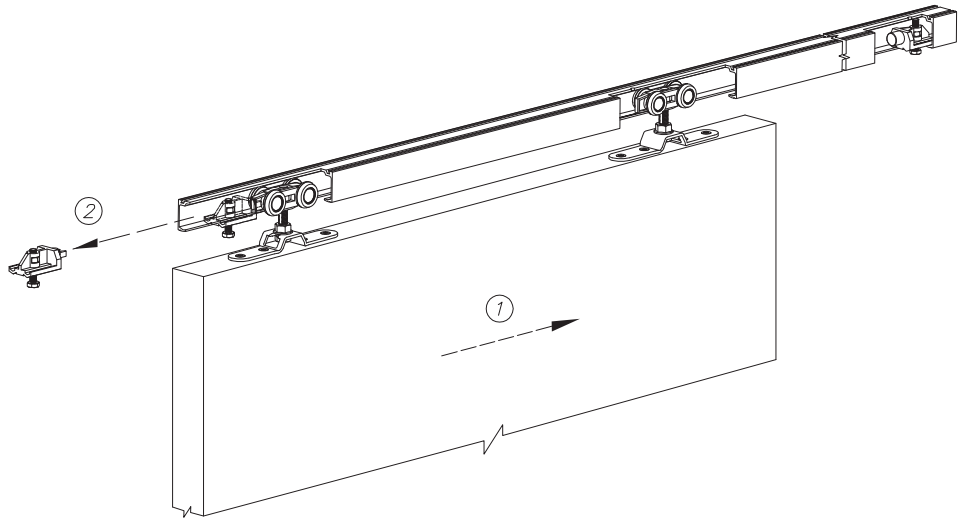
1



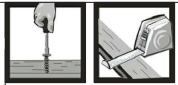
?



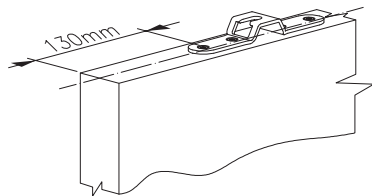
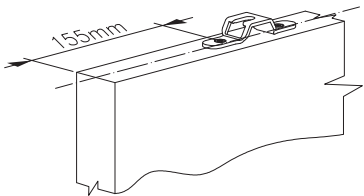
**2** HERKULES 60, 120, DELTA, SIGMA, AMARENO



**3** HERKULES 60, DELTA



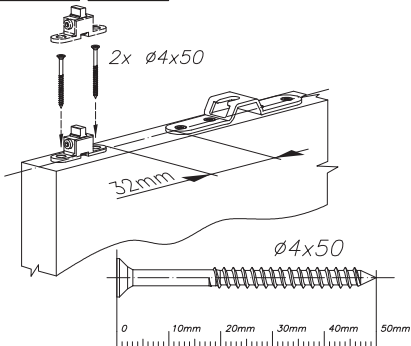
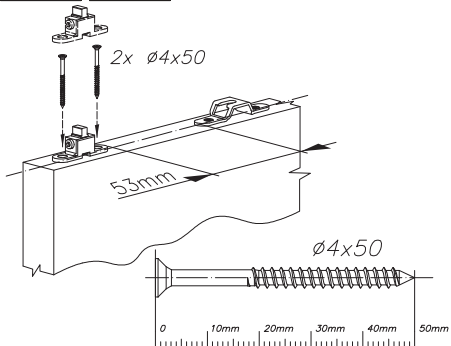
**3** HERKULES 120, SIGMA, AMARENO

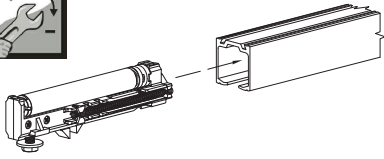


**4** HERKULES 60, DELTA



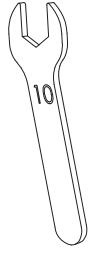
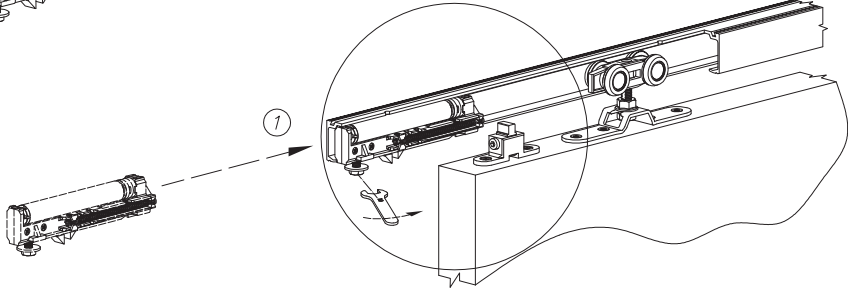
**4** HERKULES 120, SIGMA, AMARENO





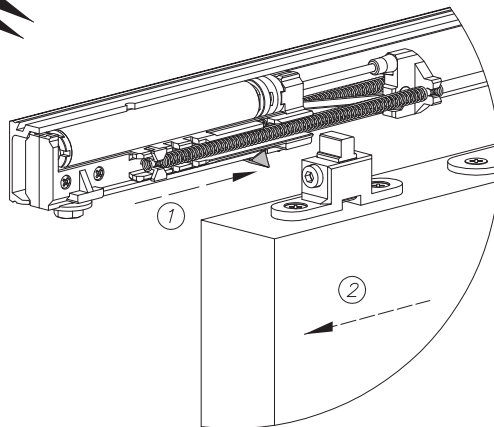
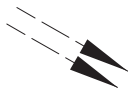
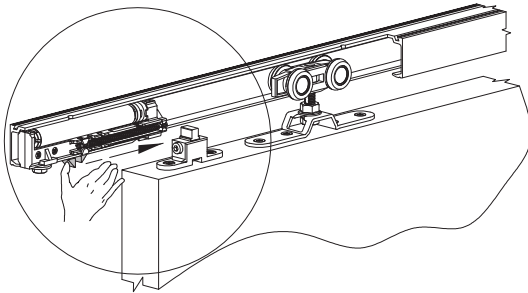
5

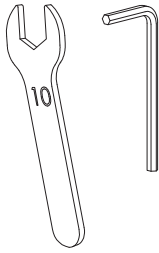
HERKULES 60, 120, DELTA, SIGMA, AMARENO



6

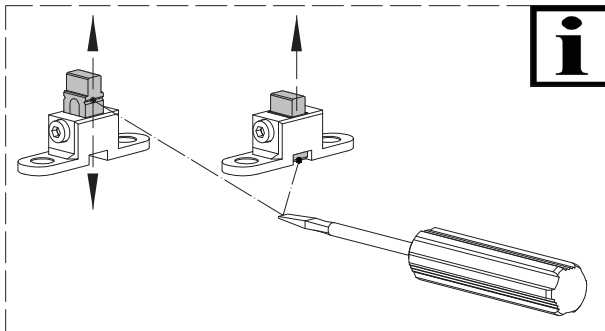
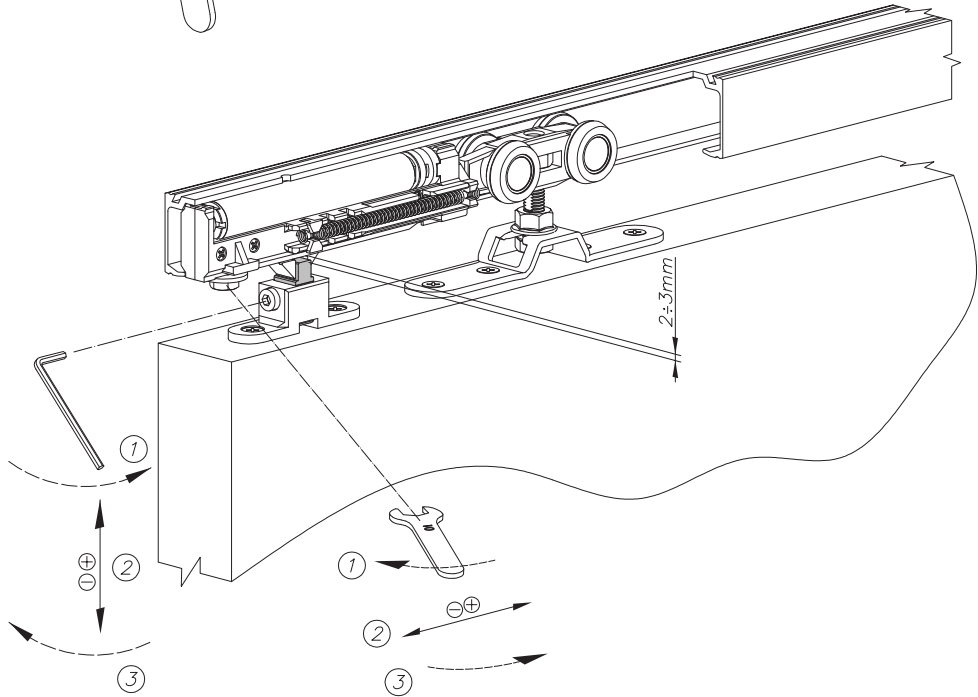
HERKULES 60, 120, DELTA, SIGMA, AMARENO





7

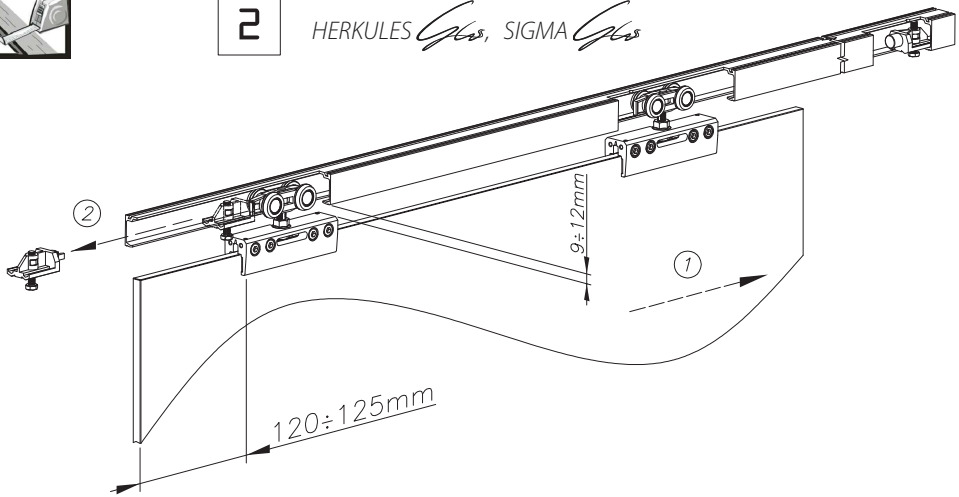
HERKULES 60, 120, DELTA, SIGMA, AMARENO





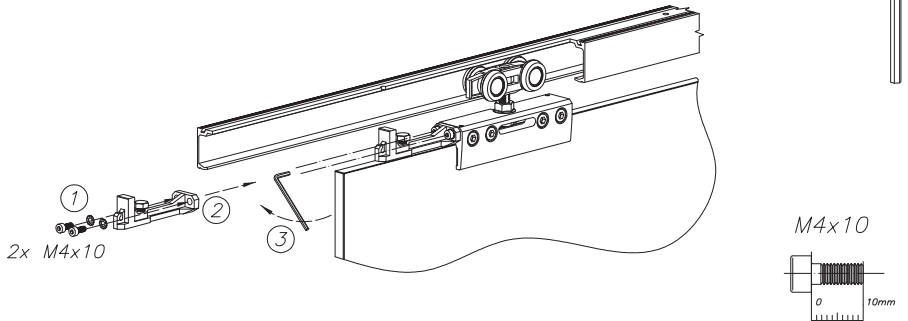
2

HERKULES *Glas*, SIGMA *Glas*



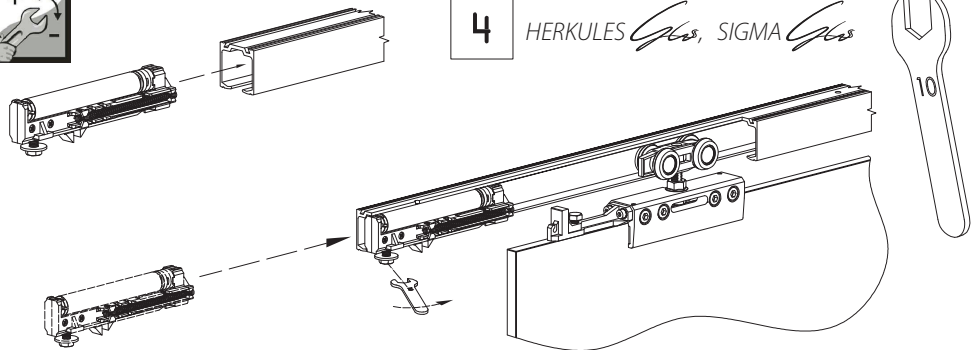
3

HERKULES *Glas*, SIGMA *Glas*



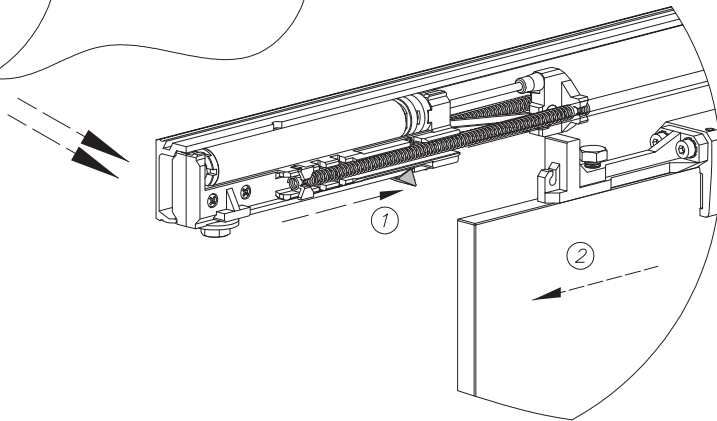
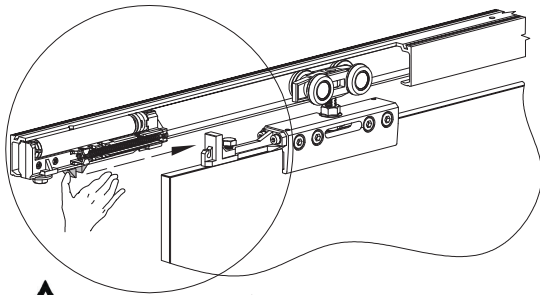
4

HERKULES *Glas*, SIGMA *Glas*



5

HERKULES *Clas*, SIGMA *Clas*



6

HERKULES *Clas*, SIGMA *Clas*

