

SOFT-DOWN STAY



SDS-100, SDS-C100

LID SUPPORTS

SOFT-DOWN STAY



Features

- For downward-opening flap doors.
- Built-in damper causes flap to open gently near fully open radius.
- Non-handed.
- SDS-C100 has a built-in catch to hold the door in a closed position.
- SDS-100 does not have a catch and needs to have one installed separately.

Torque

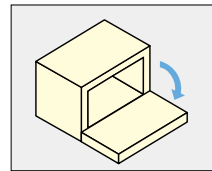
- With 1 stay
Torque = 3.43 - 4.9 N-m (35 - 50 kgf-cm)
- With 2 stays, the torque will be doubled.

Parts Included

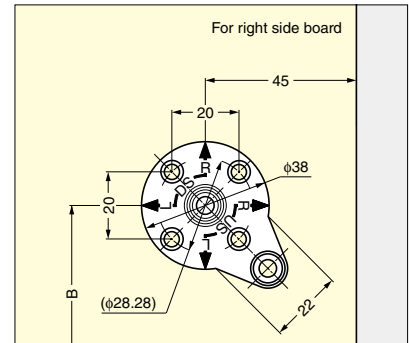
- Mounting plate SDS-A
- Countersunk head tapping screw 3.5x14

Sold Separately

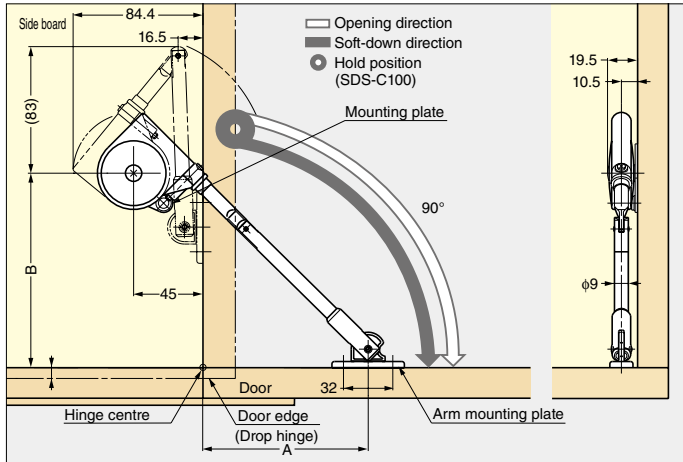
Face plate for glass doors SDS-50G (P.522)



Mounting Plate SDS-A



Installation (Opening Angle 90°)



Hinge Type	Arm Mounting Plate Position	Mounting Plate Position
	A	B
Single Knuckle Hinge	100	135
Drop Hinge (SDH-001)	107*	126

*In case overlay 16 mm

Body

Item Code	Item Name	Type	Material	Finish/Colour	Torque Moment/piece	Weight	Box	Carton
180-100-261	SDS-100W	Without Catch	ABS/Steel	Nickel/White	3.43 - 4.9 N-m (35 - 50 kgf-cm)	167 g	20 pcs	100 pcs
*1 180-014-892	SDS-C100-W	With Catch	ABS/Steel	Nickel/White		167 g	20 pcs	100 pcs
180-100-262	SDS-100G	Without Catch	ABS/Steel	Nickel/Grey		167 g	20 pcs	100 pcs
180-100-266	SDS-C100-G	With Catch	ABS/Steel	Nickel/Grey		167 g	20 pcs	100 pcs
180-100-263	SDS-100U	Without Catch	ABS/Steel	Nickel/Umber		167 g	20 pcs	100 pcs
180-100-267	SDS-C100-U	With Catch	ABS/Steel	Nickel/Umber		167 g	20 pcs	100 pcs
180-027-278	SDS-100-B	Without Catch	ABS/Steel	Nickel/Black		167 g	20 pcs	100 pcs
*2 180-014-891	SDS-C100-B	With Catch	ABS/Steel	Nickel/Black		167 g	20 pcs	100 pcs

*1 Item Code has been revised. (Old item code : 180-100-265)
 *2 Item Code has been revised. (Old item code : 180-100-264)

SDS Face Plate (Sold Separately)

Item Code	Item Name	Material	Finish/Colour	Weight	Box	Carton
180-100-260	SDS-50G-CR	Zinc Alloy (ZDC)/ABS	Chrome/Black	25 g	50 pcs	200 pcs
180-928-046	SDS-50G-BL	Zinc Alloy (ZDC)/ABS	Black/Black	25 g	50 pcs	200 pcs

