

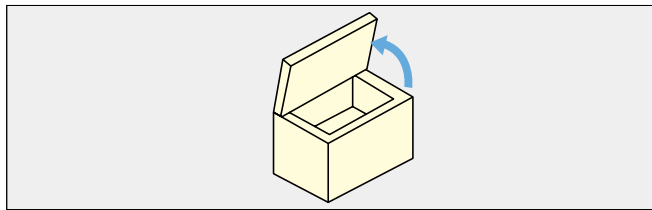


NSDX-20 (R/L)

ADJUSTABLE SOFT-DOWN STAY

LID SUPPORTS

ADJUSTABLE SOFT-DOWN STAY



Features

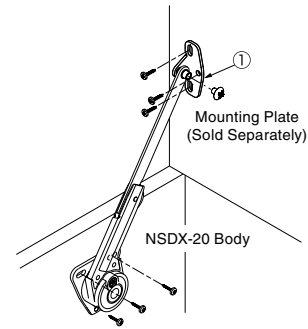
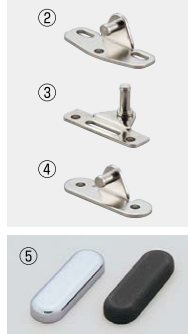
- For top-opening flap doors.
- Built-in damper causes flap to close gently preventing slamming.
- Built-in catch holds flap in fully opened position.
- Can also be used with concealed, piano, or butt hinges.
- Depending on installation position, opening angle can be set to either 70° or 105°.
- Successfully passed for the 30,000 open/close private cycle test.
- Closing speed adjustable.

Torque

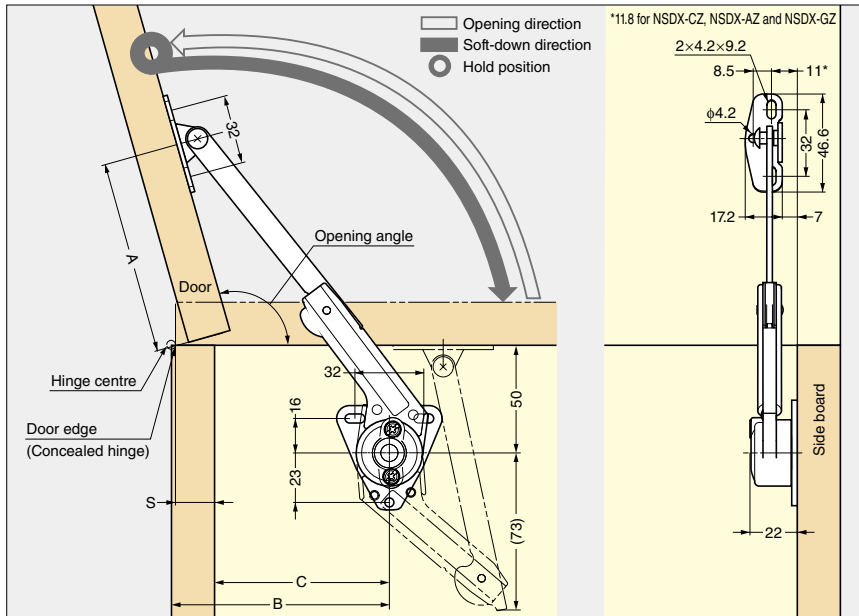
- With 1 stay  
Torque = 1.96 - 6.86 N·m (20 - 70 kgf·cm)
- With 2 stays, the torque will be doubled.  
Torque = Door weight (kg) × 9.8 × Length from the axis to the centre of gravity of the door (m)

Sold Separately

- ① Mounting plate NSDX-SZ (below)
- ② Mounting plate NSDX-CZ (P.522)
- ③ Mounting plate NSDX-AZ for 20 mm aluminium frame (P.522)
- ④ Mounting plate NSDX-GZ for glass door (P.522)
- ⑤ SDS-50G for glass door (P.522)



Installation (Opening Angle 105°)



Hinge Type		A	B	C
70° opening	Concealed Hinge	126	-	101-S
	Single Knuckle Hinge	125	100	-
105° opening	Concealed Hinge	103	-	78-S
	Single Knuckle Hinge	97	72	-

S = Overlay

Body

Item Code	Item Name	L/R	Material	Finish	Torque Moment /piece (20 - 70 kgf·cm)	Catch Function		Weight	Box	Carton
						Opened Position	Closed Position			
180-109-481	NSDX-20R	Right	Zinc Alloy (ZDC), Steel	Nickel	1.96 - 6.86 N·m (20 - 70 kgf·cm)	○	×	181 g	20 pcs	80 pcs
180-109-480	NSDX-20L	Left	Zinc Alloy (ZDC), Steel	Nickel		○	×	181 g	20 pcs	80 pcs

Mounting Plate (Sold Separately)

Item Code	Item Name	Type	Weight	Box	Carton
180-109-032	NSDX-SZ	Screw on	14 g	160 pcs	640 pcs

SDS Face Plate (Sold Separately)

\*Please use with NSDX-GZ mounting plate.

Item Code	Item Name	Material	Finish/Colour	Weight	Box	Carton
180-100-260	SDS-50G-CR	Zinc Alloy (ZDC)/ABS	Chrome/Black	25 g	50 pcs	200 pcs
180-928-046	SDS-50G-BL	Zinc Alloy (ZDC)/ABS	Black	25 g	50 pcs	200 pcs

