

# HEAVY DUTY SOFT-DOWN STAY



## HDS-20



### Features

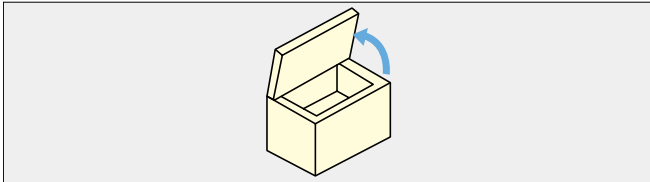
- For top-opening flap doors.
- Built in damper to prevent slamming during closing.
- Built in catch holds flap in fully open position.
- Can also be used with concealed, piano, or butt hinges.
- Use in pairs.

### Applicable Range

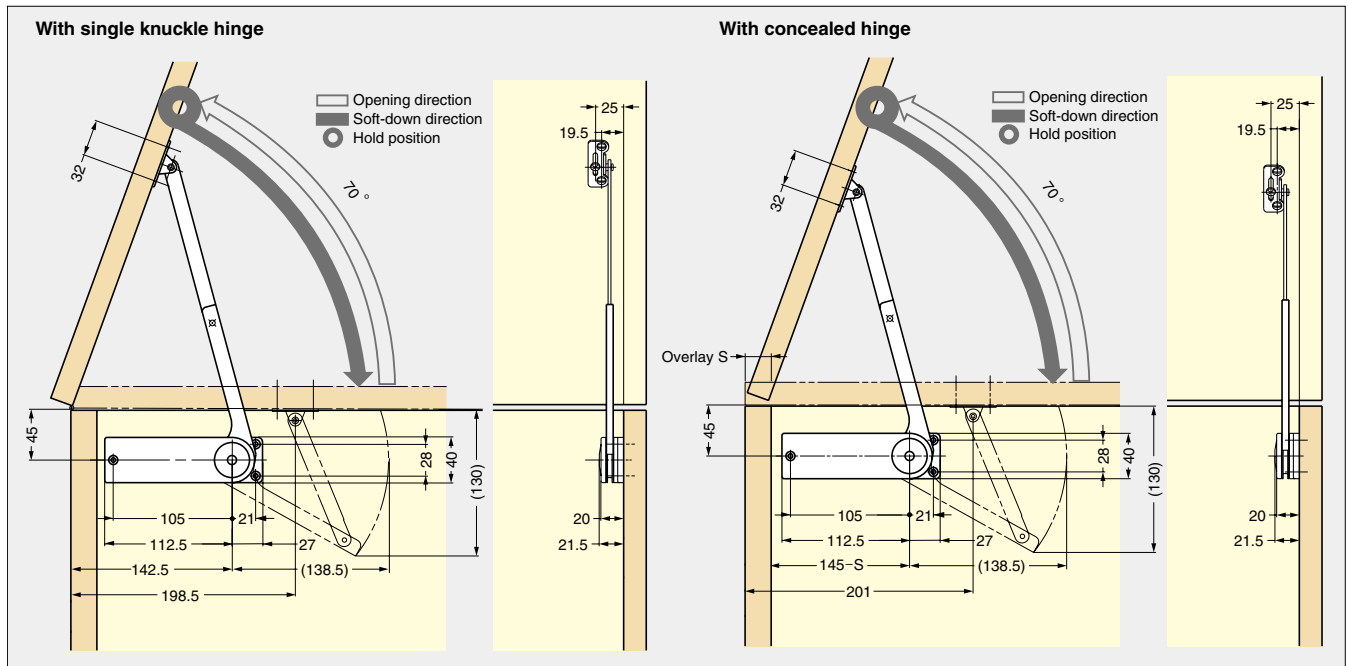
Torque	Model	Qty
13.7 - 19.5 N-m	K	1 pair
19.6 - 24.4 N-m	M	1 pair
24.5 - 29.4 N-m	H	1 pair

### Parts Included

- Mounting plate
- Binding head tapping screw 3.5x15



### Installation (Opening Angle 70°)



Item Code	Item Name	Type	Material	Finish/Colour	Model	Torque Moment/pair	Weight	Carton
180-109-237	HDS-20KL-BL	Left	ABS/Steel	Nickel/Black	K	13.7 - 19.5 N-m (140 - 199 kgf-cm)	284 g	40 pcs
180-109-236	HDS-20KR-BL	Right	ABS/Steel	Nickel/Black	K		284 g	40 pcs
180-109-243	HDS-20KL-WT	Left	ABS/Steel	Nickel/White	K		284 g	40 pcs
180-109-242	HDS-20KR-WT	Right	ABS/Steel	Nickel/White	K		284 g	40 pcs
180-109-239	HDS-20ML-BL	Left	ABS/Steel	Nickel/Black	M	19.6 - 24.4 N-m (200 - 249 kgf-cm)	288 g	40 pcs
180-109-238	HDS-20MR-BL	Right	ABS/Steel	Nickel/Black	M		288 g	40 pcs
180-109-245	HDS-20ML-WT	Left	ABS/Steel	Nickel/White	M		288 g	40 pcs
180-109-244	HDS-20MR-WT	Right	ABS/Steel	Nickel/White	M	24.5 - 29.4 N-m (250 - 300 kgf-cm)	288 g	40 pcs
180-109-241	HDS-20HL-BL	Left	ABS/Steel	Nickel/Black	H		299 g	40 pcs
180-109-240	HDS-20HR-BL	Right	ABS/Steel	Nickel/Black	H		299 g	40 pcs
180-109-247	HDS-20HL-WT	Left	ABS/Steel	Nickel/White	H		299 g	40 pcs
180-109-246	HDS-20HR-WT	Right	ABS/Steel	Nickel/White	H		299 g	40 pcs