

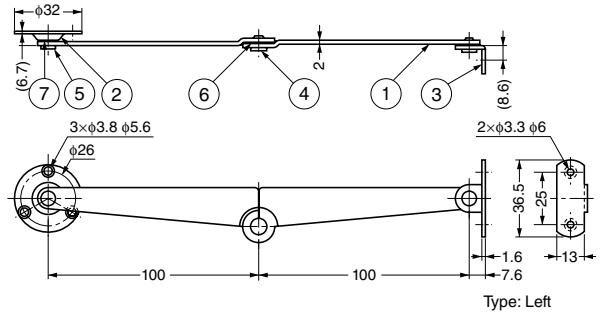
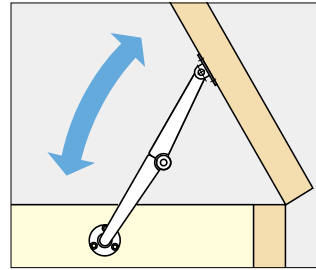
LID STAY

S-19



Type: Left

Installation (Left Side)



No.	Part Name	Material	Finish
①	Body	Steel	Chrome
②	Bracket	Steel	Chrome
③	Bracket	Steel	Chrome
④	Center Axis	Brass	Chrome
⑤	Axis	Brass	Chrome
⑥	Washer A	Polyamide (PA)	-
⑦	Washer B	Polyamide (PA)	-

Item Code	Item Name	Type	Tension Force	Weight	Box	Carton
180-100-136	S-19R	Right	425 N (43.4 kgf)	66 g	50 pcs	300 pcs
180-100-137	S-19L	Left		66 g	50 pcs	300 pcs

LID STAY (W/ CATCH)

S-20

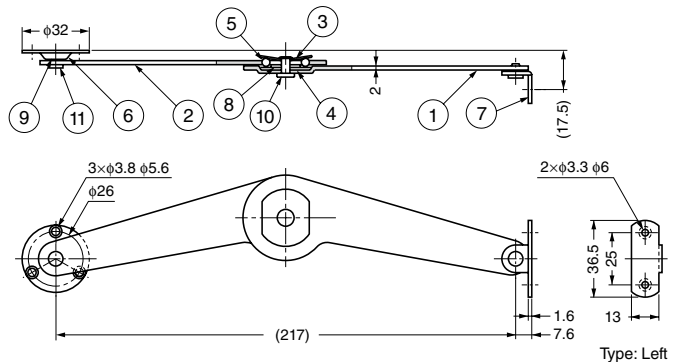
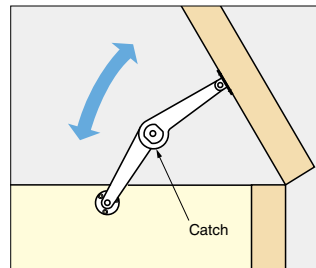


Type: Left

Features

With catch.

Installation (Left Side)



No.	Part Name	Material	Finish
①	Body A	Steel	Chrome
②	Body B	Steel	Chrome
③	Spring A	Steel	Chrome
④	Spring B	Steel	-
⑤	Ball	Steel	-
⑥	Bracket	Steel	Chrome
⑦	Bracket	Steel	Chrome
⑧	Washer	Steel	Nickel
⑨	Washer	Polyamide (PA)	-
⑩	Center Axis	Steel	Chrome
⑪	Axis	Brass	Chrome

Item Code	Item Name	Type	Tension Force	Weight	Box	Carton
180-100-138	S-20R	Right	410 N (41.8 kgf)	122 g	40 pcs	160 pcs
180-100-139	S-20L	Left		122 g	40 pcs	160 pcs