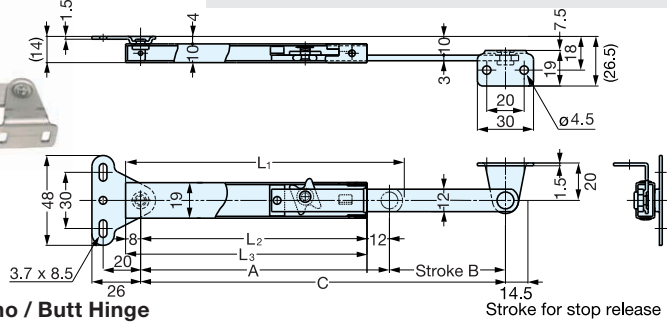


LID STAY (TITANIUM)

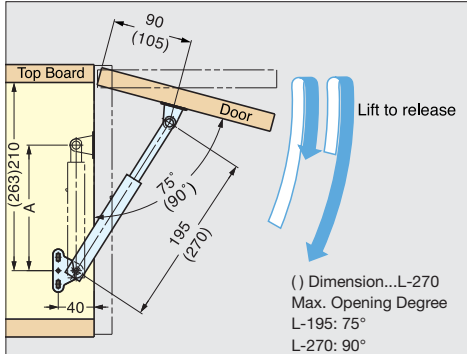


L-195A Ti, 270A Ti

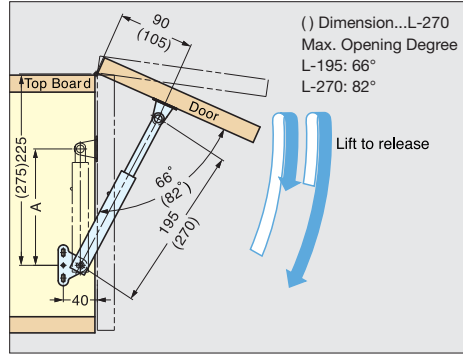
- Titanium stay to hold lid open.
- Corrosion resistance for extreme environments
- Lift up lid to release.
- Non-handed
- Only one stay per lid required.



With Concealed Hinge



With Piano / Butt Hinge



*Lid stay must be installed parallel to the sidewall.

Material	Finish
Titanium	Satin

Item No.	L ₁	L ₂	L ₃	(A)	(B)	C	Door Height (mm)
L-195A Ti	148 (5-53/64")	121	129	133 (5-15/64")	62	195 (7-43/64")	250-350 (9-27/32"~13-25/32")
L-270A Ti	185 (7-9/32")	158	166	170 (6-11/16")	100	270 (10-5/8")	320-500 (12-19/32"~19-11/16")

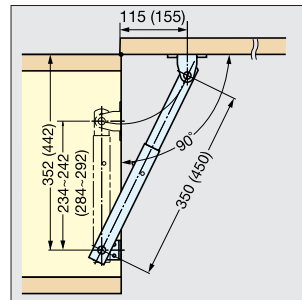
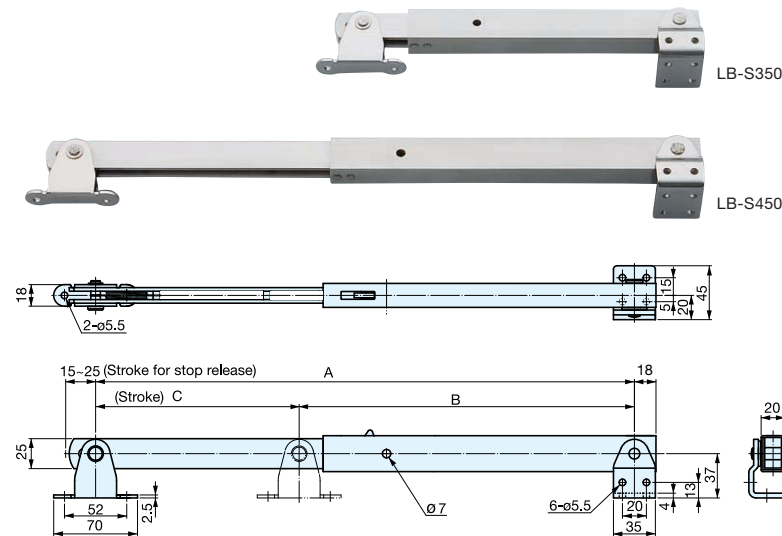
Item No.	Load Capacity (kg)	Weight (g)	Box (pcs)	Carton (pcs)
L-195A Ti	15 (33lbs)	70	10	100
L-270A Ti		84		

HEAVY DUTY LID STAY



LB-S

- Heavy duty lid stay.
- Holds lid or panel in fully opened position.
- Lift up the lid to release.
- Only one stay per lid required.
- Non-handed



Measurements above in () are for LB-S450.
*Lid stay must be installed parallel to the sidewall.

Material	Finish
304 Stainless Steel	Satin

Item No.	(A)	B	C	Load Capacity (kg)	Weight (g)	Box (pcs)	Carton (pcs)
LB-S350	350 (13-25/32")	230 (9-1/16")	120 (4-23/32")	133 (293 lbs)	715	5	20
LB-S450	450 (17-25/32")	280 (11-1/32")	170 (6-11/16")	97 (214 lbs)	820		