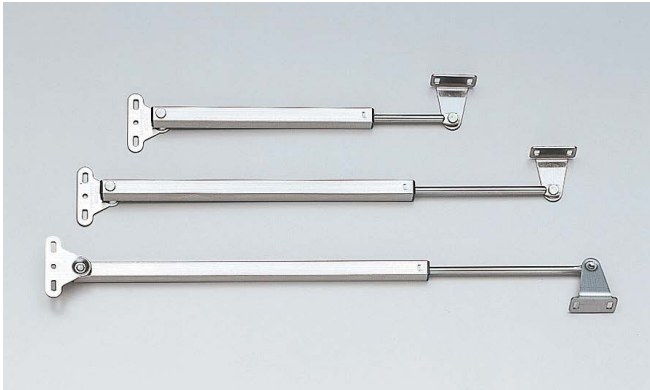


LID STAY



LK-222, LK-335, LK-380

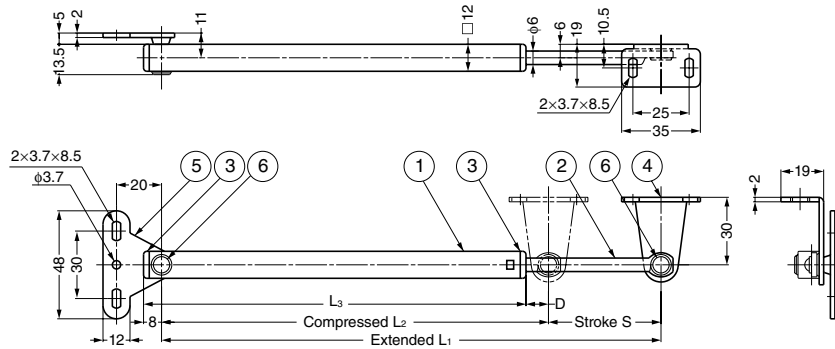


Features

- Spring mechanism makes door flap easier to lift.
- Holds door flap in open position. Does not require a catch.
- When closed, the extendible section of the arm is stored inside the body, allowing the cabinet interior to be used effectively.
- Non-handed.

Remarks

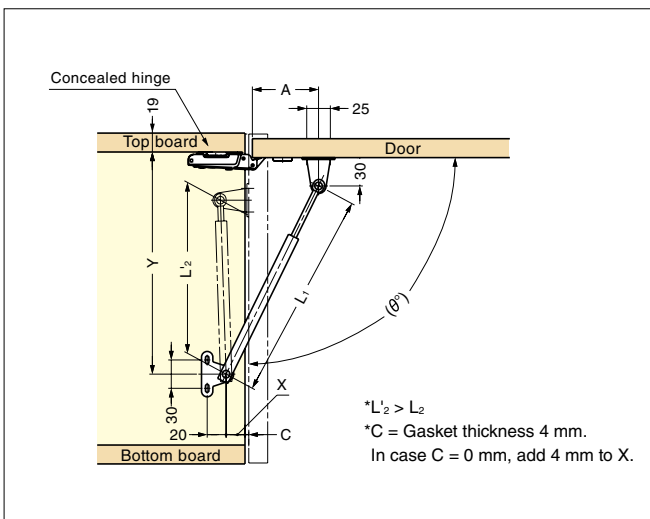
Please use in pairs.



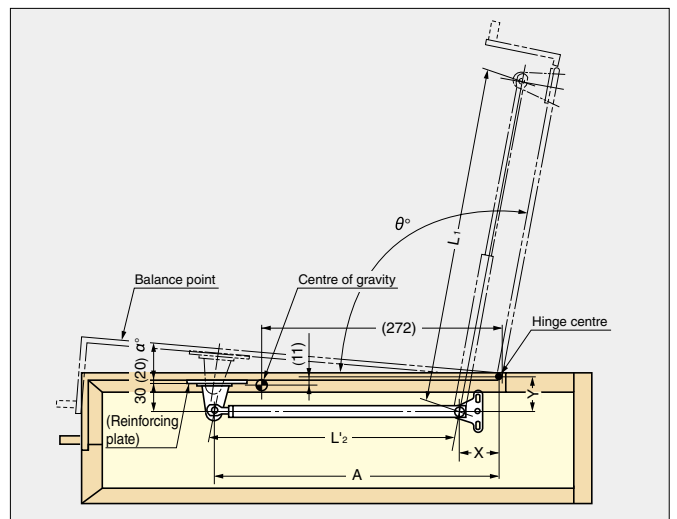
No.	Part Name	Material	Finish/Colour
①	Body	Stainless Steel (SUS304)	Satin
②	Arm	Stainless Steel (SUS304)	Polished
③	Cover	Polyamide (PA)	Black
④	Arm Bracket	Stainless Steel (SUS304)	Satin
⑤	Case Bracket	Stainless Steel (SUS304)	Satin
⑥	Shaft	Stainless Steel (SUS303)	-
-	Spring	Piano Wire	Yellow Zinc Chromate

Item Code	Item Name	L ₁	L ₂	L ₃	S	D	Spring Tension		Weight	Box	Carton
							Extended Force	Compressed Force			
180-100-045	LK-222	222	172	170	50	10	31 N (3.2 kgf)	68 N (7.0 kgf)	145 g	25 pcs	150 pcs
180-100-046	LK-335	335	250	238	85	20	37 N (3.8 kgf)	83 N (8.5 kgf)	185 g	25 pcs	150 pcs
180-100-047	LK-380	380	280	269	100	19	35 N (3.6 kgf)	83 N (8.5 kgf)	205 g	25 pcs	150 pcs

Installation (1) LK-222, LK-335 (Wooden Door)



Installation (2) LK-335, LK-380 (Acrylic Door)



	Opening Angle θ	L ₁	A	X	Y	Door Weight
LK-222 (1 pair)	90°	222	70	20	235	Max. 2.5 kg
	85°	222	75	20	240	Max. 2.7 kg
	75°	222	85	20	251	Max. 3.0 kg
	90°	335	104	20	344	Max. 3.1 kg
LK-335 (1 pair)	85°	335	112	20	351	Max. 3.3 kg
	75°	335	127	20	368	Max. 3.8 kg

	Opening Angle (θ)	α	L ₁	A	X	Y	Door Weight
LK-335	90°	0.5°	335	295	45	38	2.5 kg
	90°	14°	335	295	45	38	3.0 kg
	85°	12°	335	295	45	44	3.3 kg
LK-380	110°	8°	380	330	40	36	2.5 kg
	90°	3.5°	380	335	55	44	3.0 kg
	90°	4°	380	320	41	59	4.0 kg
	80°	7.5°	380	335	56	60	4.3 kg