

# LID STAY (W/ LOCK)

TEST METHOD 16

L=R

STAINLESS 304 STEEL

# LSP-195B, LSP-270B

LID SUPPORTS

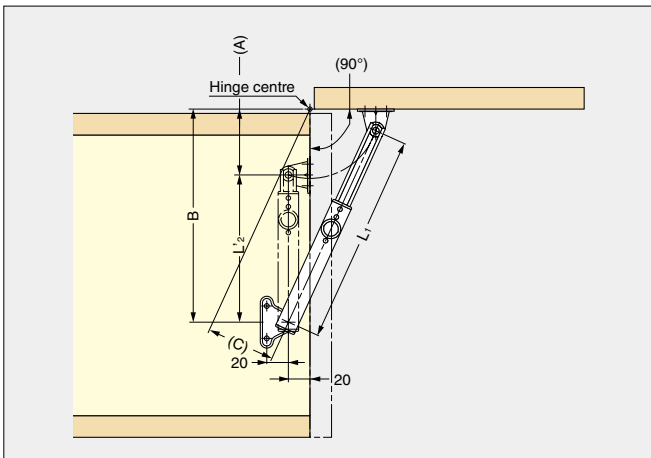
LID STAY (W/ LOCK)



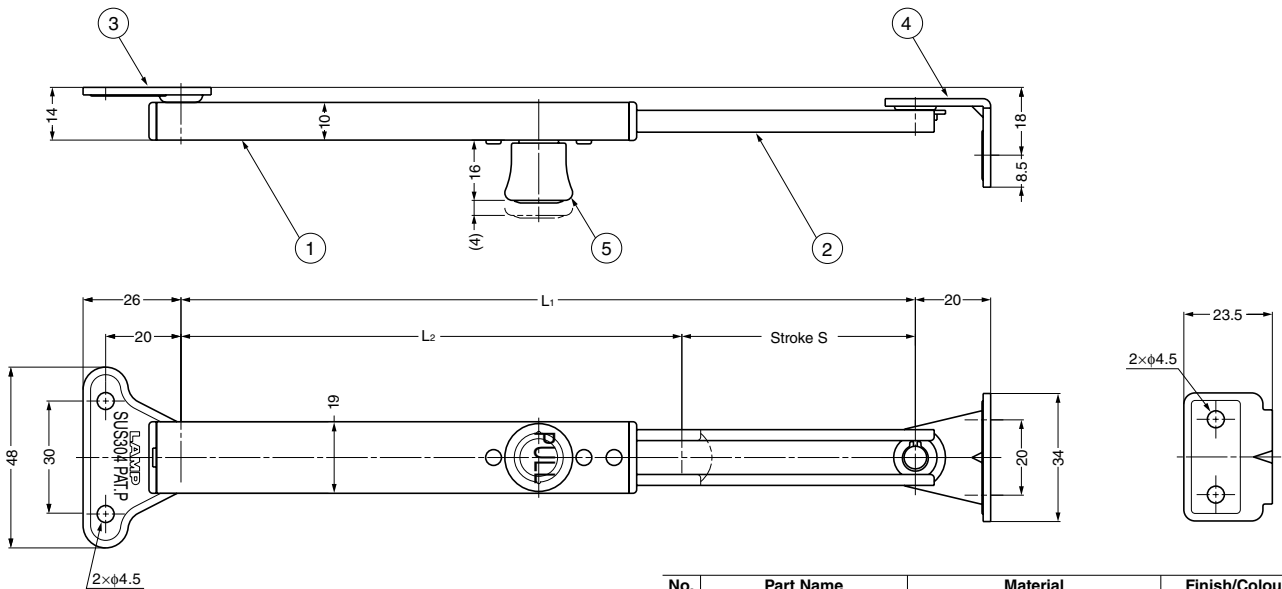
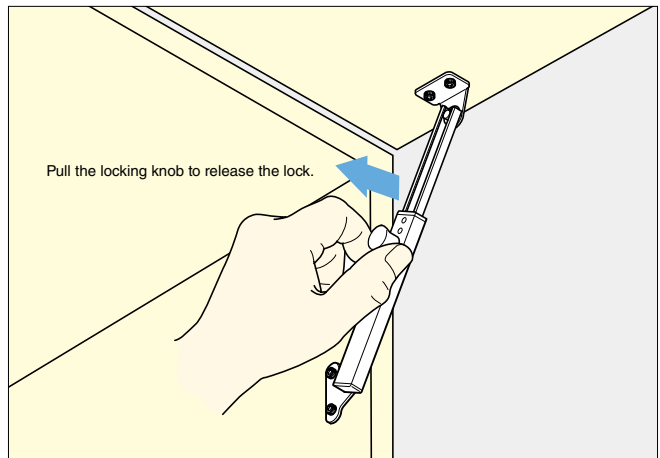
### Features

- Can be used singly or in pairs.
- Door flap automatically locks in fully opened position. To release, pull the locking knob.
- When closed, the extendible section of the arm is stored inside the body, allowing the cabinet interior to be used effectively.
- Has same length as L-195B and L-270B.
- Resin and metal components can be separated.
- Non-handed.

### Installation



### Lock Release



No.	Part Name	Material	Finish/Colour
①	Body	Stainless Steel (SUS304)	Satin
②	Arm	Stainless Steel (SUS304)	Satin
③	Case Bracket	Stainless Steel (SUS304)	Satin
④	Arm Bracket	Stainless Steel (SUS304)	Satin
⑤	Locking Knob	Polyacetal (POM)	Dark Grey

Item Code	Item Name	L <sub>1</sub>	L <sub>2</sub>	S	A	B	C	Load Capacity	Weight	Box	Carton	
180-100-358	LSP-195B	195	133	62	61	197	63.8	294 N/pc	30 kgf/pc	127 g	6 pcs	60 pcs
180-100-357	LSP-270B	270	170	100	92	265	91.9					

