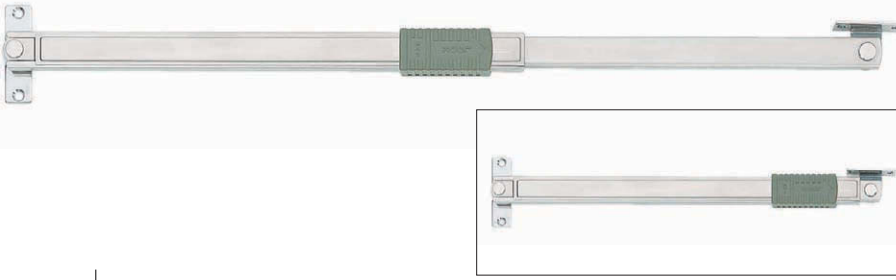


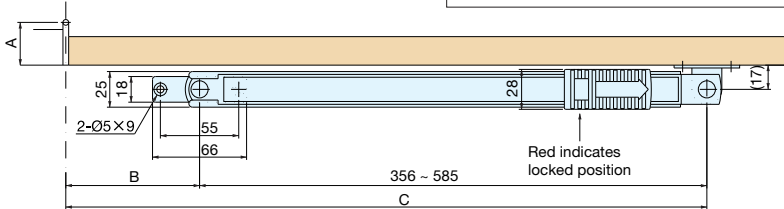
MULTI-ANGLE DOOR STAY



U-3005



- Holds door opened at multiple angles.
- For outward opening door use.
- Slide lock lever to lock/unlock.
- Door opening angle : 100° maximum
- Recommended door size
 Height – Max. 2,000 mm (78-3/4")
 Width – 600–910 mm (23-5/8"–35-53/64")
 Thickness – 25–45 mm (1"-1-3/4")



A, B and C dimensions are for 90° door opening angle

A	30 (1-11/64")	35 (1-3/8")	40 (1-37/64")	45 (1-49/64")	50 (1-31/32")
B	160 (6-19/64")	160 (6-19/64")	160 (6-19/64")	160 (6-19/64")	155 (6-3/32")
C	525 (20-49/64")	520 (20-15/32")	515 (20-9/32")	510 (20-5/64")	505 (19-7/8")

Item No.	Weight (g)	Box (pcs)	Carton (pcs)	Material	Finish/Color
U-3005	338	6	60	304 Stainless Steel	Satin
				Polyacetal	-

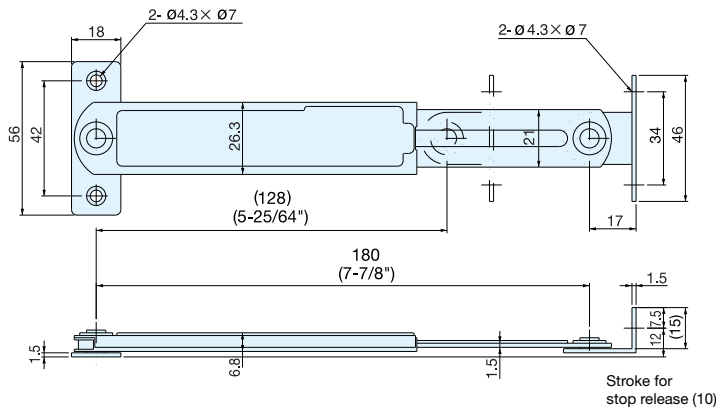
MULTI-ANGLE DOOR STAY



U-3031



- Ratchet stay holds flap lid at multiple angles.
- Non-handed
- Thin and compact design.
- Completely open the door to release lock.
- Completely close the door to re-engage the lock.



Material	Finish
304 Stainless Steel	Satin

Item No.	Stop Positions	Load Capacity (kg)	Weight (g)	Box (pcs)	Carton (pcs)
U-3031	15	7 (15 lbs)	127	10	100