

# FOOT STAYS

TEST METHOD

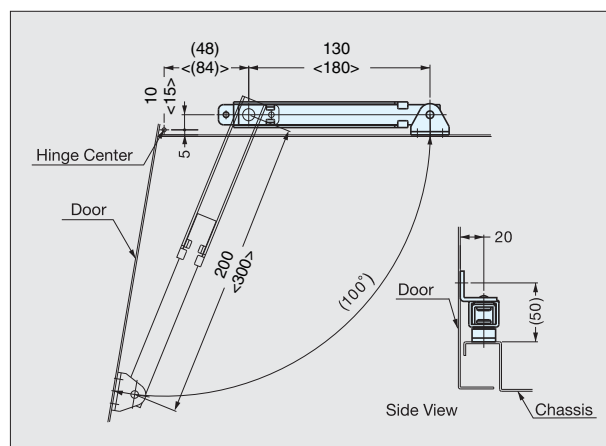
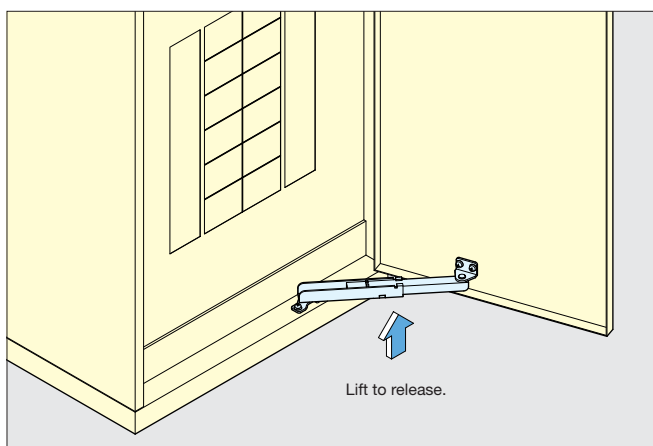
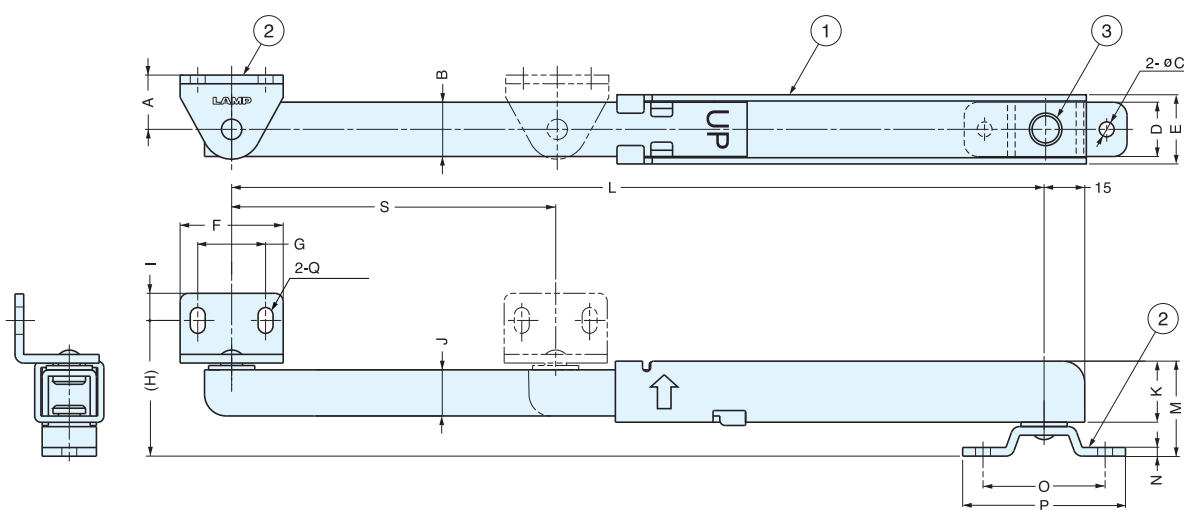
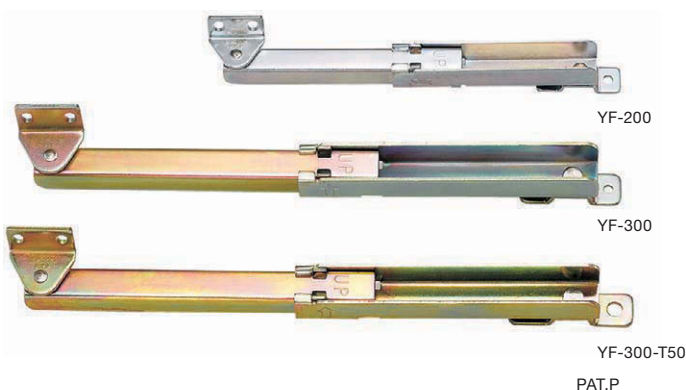
NO SCREW

YF

- Mechanically locks door when fully opened.
- Simply lift the stay with foot toe to release the lock.
- Designed for bottom mount.
- Non-handed

LID SUPPORTS

FOOT STAYS



Dimensions in < > are for YF-300 and YF-300-T50

Item No.	L	S	A	B	C	D	E	F	G	(H)	I	J	K	M	N	O	P	Q
YF-200	200 ( 7-7/8" )	70 ( 2-3/4" )	15	15.9	5.5	17	20	33	20	42	8	15.7	20	30	2.3	35	50	5.5x8
YF-300	300 ( 11-13/16" )	120 ( 4-23/32" )	20	20	5.5	20	25.5	38	25	50	10	17	22.5	35	3.2	45	60	5.5x9.5
YF-300-T50					9											50	72	

Item No.	Tensile Force (kg)	Compression Load (kg)	Weight (kg)	Box (pcs)	Carton (pcs)	No.	Part Name	Material	Finish
YF-200	Max. 90 (198 lbs)	Max.50 (110 lbs)	205	10	100	①	Body	Steel	Yellow Zinc Chromate
YF-300	Max.150 (330 lbs)	Max.60 (132 lbs)	433	5	30	②	Bracket		
YF-300-T50	Max.150 (330 lbs)	Max.60 (132 lbs)	460			③	Pin	304 Stainless Steel	-