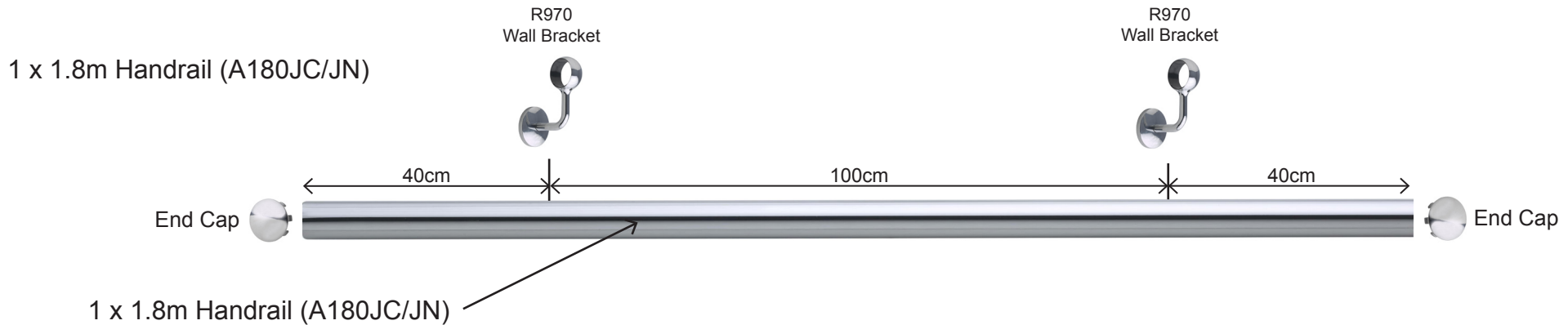
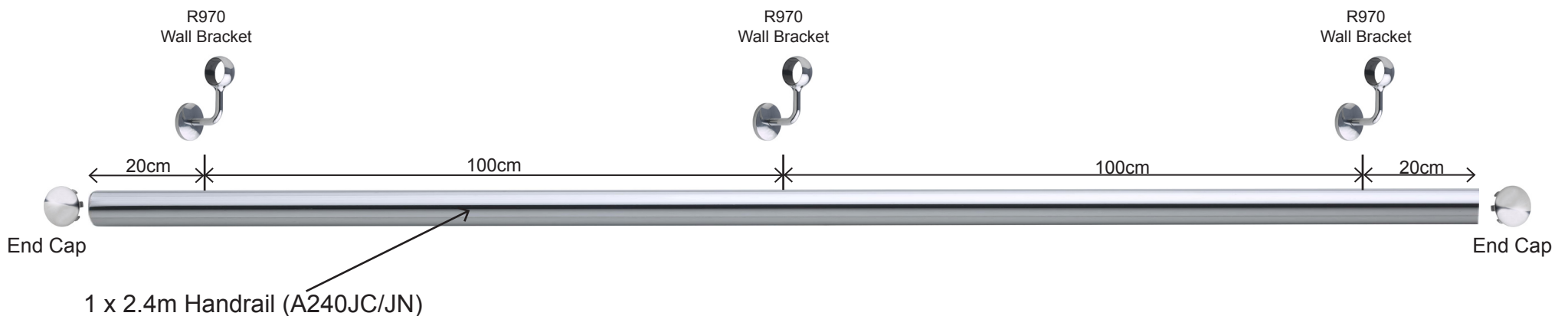


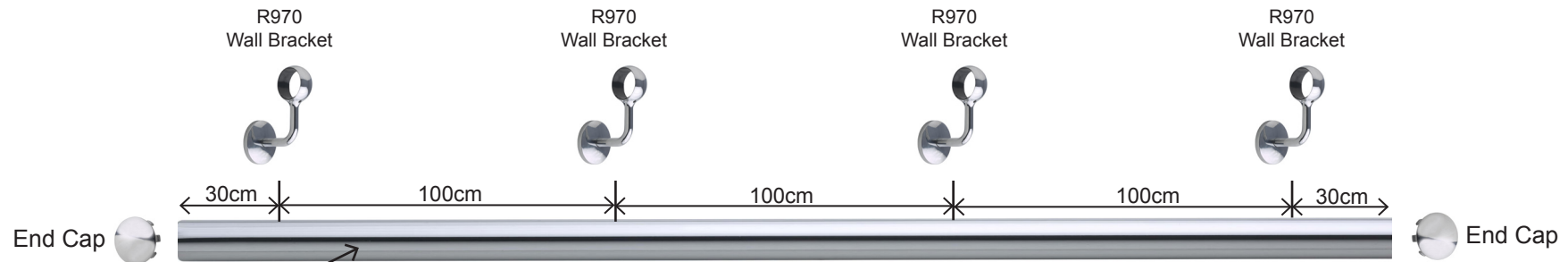
1.8m Straight Handrail: Using 1 x 1.8m length



2.4m Straight Handrail: Using 1 x 2.4m length

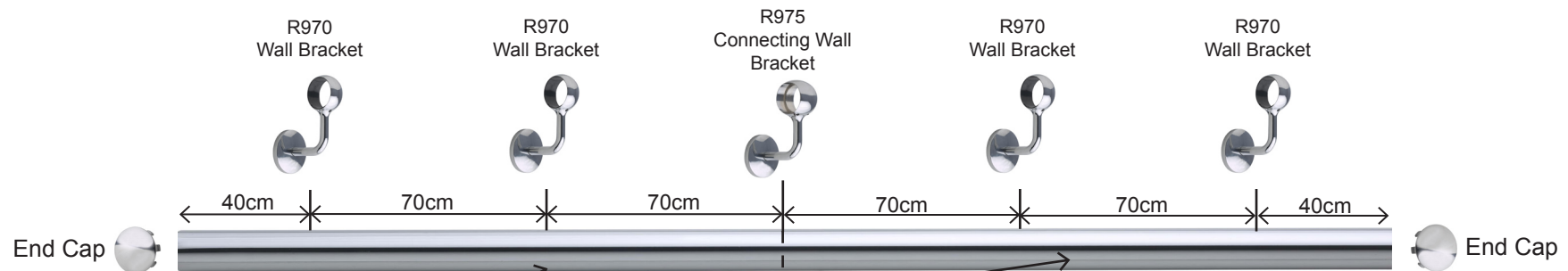


3.6m Straight Handrail: Using 1 x 3.6m length



1 x 3.6m Handrail (A360JC/JN)

3.6m Straight Handrail: Using 2 x 1.8m Lengths



2 x 1.8m Handrail (A180JC/JN)