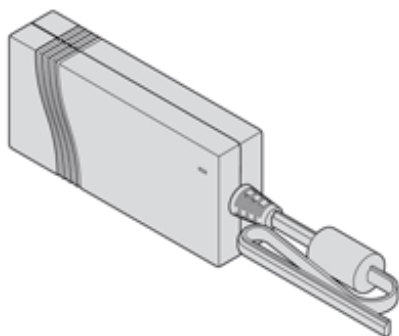


Product details

SERVO-DRIVE transformer, 24 W, DE/EN/FR/IT/NL



Part number	Z10NE030A
Item number	01343393
Colour / finish	Black
Packaging quantity	1 / 10
Weight per 1,000 Pcs in kg	927.34
EAN code	9009494228694
UPC code	

Technical attributes

Attribute	Value
Material	Nylon
Colour / finish	black
Type of connection	1-phase
nominal voltage	100-240
frequency	47 to 63 Hz
Operating Power	24
type of current	direct current
Rated output	24
Output flex length	2
Power connection	Plug
Batch label	Yes
Protection category	IP40
safety certificate	CE/UL/PSE/EAC/NOM/ukrSEPRO/S-Mark/RCM/KC/BSMI