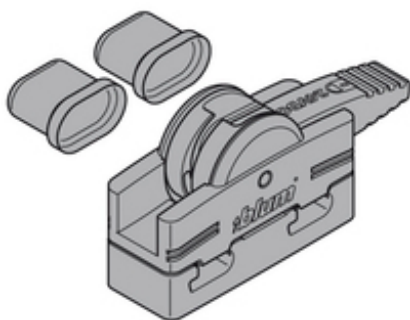


## Product details

SERVO-DRIVE connecting node (set), tool-free assembly



Part number	Z10V100E.01
Item number	08820285
Colour / finish	orange/black
Packaging quantity	1 / 50
Weight per 1,000 Pcs in kg	24.5
EAN code	9002617826012
UPC code	

## Technical attributes

Attribute	Value
Type	SERVO-DRIVE connecting node
Material	Nylon
Colour / finish	orange/black
Version	Piercing with linear connection for electrical cable
nominal voltage	24
type of current	direct current
Circuit cross-section	1.5
Power connection	Piercing (metal spikes)
additions	Z10K0008 cable end protector, enclosed