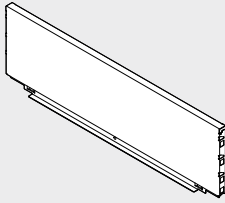


Steel back



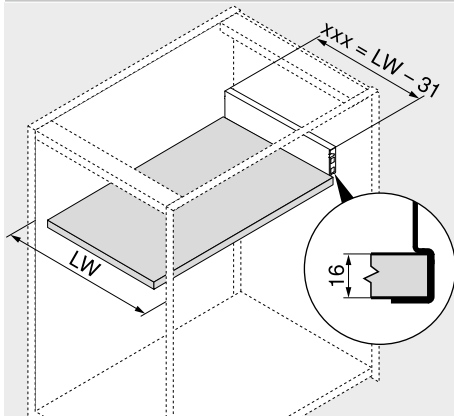
- For LEGRABOX
- Colour: terra black matt | orion grey matt | polar silver matt | silk white matt
- Material: steel

Order information

Back height	Part no.
N	ZB7NxxxS.6
M	ZB7MxxxS.6
K	ZB7KxxxS.6
C	ZB7CxxxS.6
F	ZB7FxxxS.6

Planning

Calculation of width

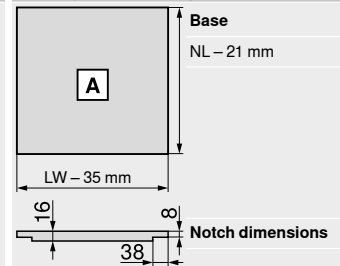


$$xxx = LW - 31$$

Example
Back wall height M
LW = 567 mm
536 mm = 567 - 31 mm
Order
ZB7M536S.6

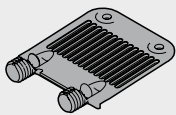
xxx Back width
LW Internal cabinet width

Cutting – 16 mm chipboard



NL Nominal length
LW Internal cabinet width

Front/base stabiliser



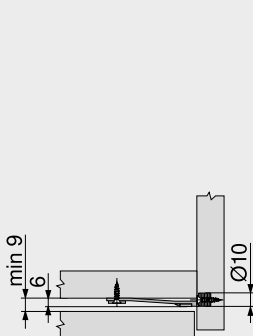
- For supporting wide drawer bases
- Recommendation:
Cabinet width KB > 900 mm: 1 item

Order information

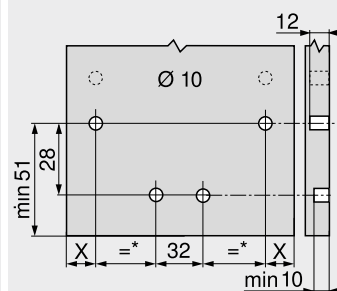
Fixing method	Colour	Part no.
EXPANDO	RAL 7037 dust grey	Z96.10E1

Planning

Space requirement in cabinet



Drilling distances – front



X = 14 mm + FA
FA Front overlay
* Min. 72 mm