

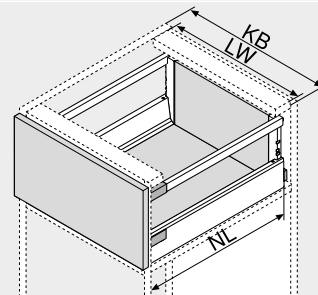


ORGA-LINE for TANDEMBOX antaro – cross gallery



- ORGA-LINE flexible dividing system
- With cross gallery for cutting to size
- For TANDEMBOX antaro high fronted pull-out, height C and D with gallery
- Nominal length NL 270–650 mm
- Recommendation: cabinet width KB 275–1200 mm

Space requirement



NL Nominal length
 KB Cabinet width
 LW Internal cabinet width

Order information

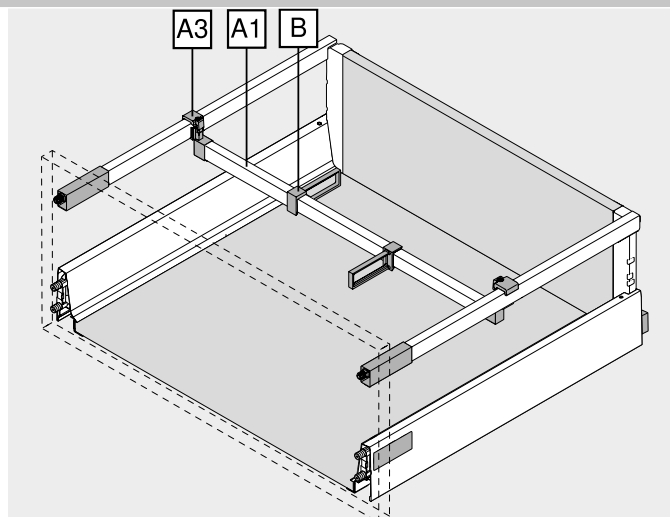
A1	Cross gallery for cutting to size			Part no.
	Cabinet width KB (mm)	Colour		
	275	SW TS R9006	1	ZRG.179Q
	300	SW TS R9006	1	ZRG.204Q
	550	SW TS R9006	1	ZRG.454Q
	600	SW TS R9006	1	ZRG.504Q
	900	SW TS R9006	1	ZRG.804Q
	1200	SW TS R9006	1	ZRG.1104Q

1 Aluminium
 Cutting
 Internal cabinet width LW – 63 mm

A3	Cross gallery connector			Part no.
	Colour	Material		
	SW S WGR	Nylon		ZRU.01E0

Order 2 x for each cross gallery

B	Lateral divider			Part no.
	Colour	Material		
	SW S WGR	Nylon		ZRU.11F0



Recommendation – colour combination of the components

ORGA-LINE for TANDEMBOX antaro – cross divider

No.	Description	Colour		
		SW	TS	R9006
A1	Cross divider for cutting to size	SW	TS	R9006
A2	Cross divider connector – dividing wall	SW	TS	WGR
A3	Cross divider connector – gallery	SW	TS	WGR
B	Lateral divider	SW	TS	R9006
D	Bottle rack	INGL	INGL	INGL
E	Dividing wall	SW	TS	R9006

ORGA-LINE for TANDEMBOX antaro – cross gallery

No.	Description	Colour		
		SW	TS	R9006
A1	Cross gallery for cutting to size	SW	TS	R9006
A3	Cross gallery connector	SW	S	WGR
B	Lateral divider	SW	S	WGR

Colour		Colour	
SW	Silk white	S	Black
TS	Terra black	WGR	White grey
R9006	RAL 9006 grey (white aluminium)		

Page instructions

Overview – ORGA-LINE for TANDEMBOX	551	Assembly, removal and adjustment
Recommendation for high fronted pull-out inner pull-out	566	
ORGA-LINE kitchen accessories	569	



Short-URL
www.blum.com/a530