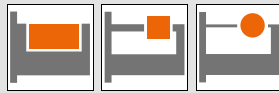


Inner dividing systems



- ▶ ORGA-LINE for TANDEMBOX
- ▶▶ ORGA-LINE for TANDEMBOX – drawer

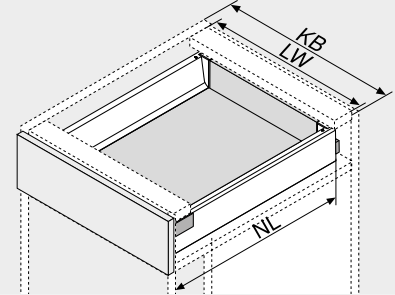


Individual sets



- Flexible, partially filled drawer sets
- Practical for kitchen applications and in other areas of the home
- To suit standard drawers and inner drawers
- Removable containers (dishwasher-proof)
- Film dispenser and knife holder can be used as an option
- Nominal length NL 450–650 mm
- Recommendation: cabinet width KB 275–1200 mm

Space requirement



NL Nominal length
KB Cabinet width
LW Internal cabinet width

Order information

B11 set		B12 set		B13 set		K12 set	
Symbol image, NL 500 mm		Symbol image, NL 500 mm		Symbol image, NL 500 mm		Symbol image, NL 500 mm	
NL (mm)	Part no.	NL (mm)	Part no.	NL (mm)	Part no.	NL (mm)	Part no.
450	ZSI.450B11N	450	ZSI.450B12N	450	ZSI.450B13N	450	ZSI.450K12N
500	ZSI.500B11N	500	ZSI.500B12N	500	ZSI.500B13	500	ZSI.500K12N
550	ZSI.550B11N	550	ZSI.550B12N	550	ZSI.550B13	550	ZSI.550K12N
600	ZSI.600B11N	600	ZSI.600B12N	600	ZSI.600B13	600	ZSI.600K12N
650	ZSI.650B11N	650	ZSI.650B12N	650	ZSI.650B13	650	ZSI.650K12N

K13 set		K14 set		MI3 set		F11 set	
Symbol image, NL 500 mm		Symbol image, NL 500 mm		Symbol image, NL 500 mm		Symbol image, NL 500 mm	
NL (mm)	Part no.	NL (mm)	Part no.	NL (mm)	Part no.	NL (mm)	Part no.
450	ZSI.450K13N	450	ZSI.450K14N	450	ZSI.450MI3	450	ZSI.450F11
500	ZSI.500K13N	500	ZSI.500K14	500	ZSI.500MI3	500	ZSI.500F11
550	ZSI.550K13N	550	ZSI.550K14	550	ZSI.550MI3	550	ZSI.550F11
600	ZSI.600K13N	600	ZSI.600K14	600	ZSI.600MI3	600	ZSI.600F11
650	ZSI.650K13N	650	ZSI.650K14	650	ZSI.650MI3	650	ZSI.650F11

F12 set		F13 set		B13E set	
				SPACE CORNER	
Symbol image, NL 500 mm		Symbol image, NL 500 mm			
Symbol image, NL 500 mm		Symbol image, NL 500 mm		Symbol image, NL 650 mm	
NL (mm)	Part no.	NL (mm)	Part no.	NL (mm)	Part no.
450	ZSI.450F12N	450	ZSI.450F13	600	ZSI.450B13E
500	ZSI.500F12N	500	ZSI.500F13	650	ZSI.500B13E
550	ZSI.550F12N	550	ZSI.550F13		
600	ZSI.600F12N	600	ZSI.600F13		
650	ZSI.650F12N	650	ZSI.650F13		



Individual sets

Order information

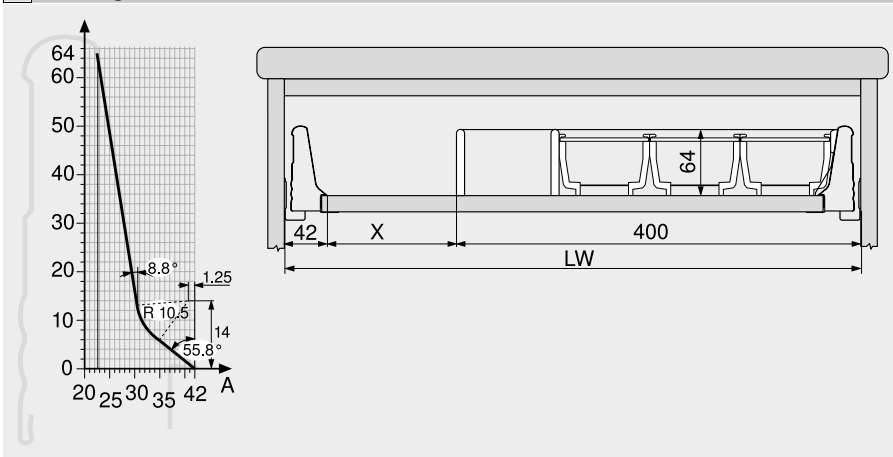
a Accessories

Containers		Adjustable cross dividers	
Width x length (mm)	Part no.	Width (mm)	Part no.
88 x 88	ZSI.010SI	88	ZSI.010Q
88 x 176	ZSI.020SI	176	ZSI.020Q
88 x 264	ZSI.030SI		
88 x 352	ZSI.040SI		

ORGA-LINE kitchen accessories

Film dispenser		Foil dispenser		Knife holder	
Description	Part no.	Description	Part no.	Description	Part no.
With foil	ZSZ.01F0	With foil	ZSZ.02F0	Knife holder	ZSZ.02M0
Without foil	ZSZ.01F1	Without foil	ZSZ.02F1	Incl. handle support	
Placement in the sets		Placement in the sets		Placement in the sets	
1 1 x ZSZ.01Fx		1 1 x ZSZ.02Fx		2 1 x ZSZ.02M0	
2 1 x ZSZ.01Fx + 1 x ZSZ.02Fx		2 1 x ZSZ.01Fx + 1 x ZSZ.02Fx			

Planning



For additional inserts:
 E.g. wooden knife holder

Example:
 Cabinet width 600 mm
 Cutlery & utensil combination ZSI.500K14

X = internal cabinet width LW – 400 mm – 42 mm

Page instructions

Overview – ORGA-LINE for TANDEMBOX	551	Assembly, removal and adjustment	
Container sets	552		
Utensil divider sets	554		
Combo sets	556	Short-URL	
ORGA-LINE kitchen accessories	569	www.blum.com/a530	
More technical details	686		